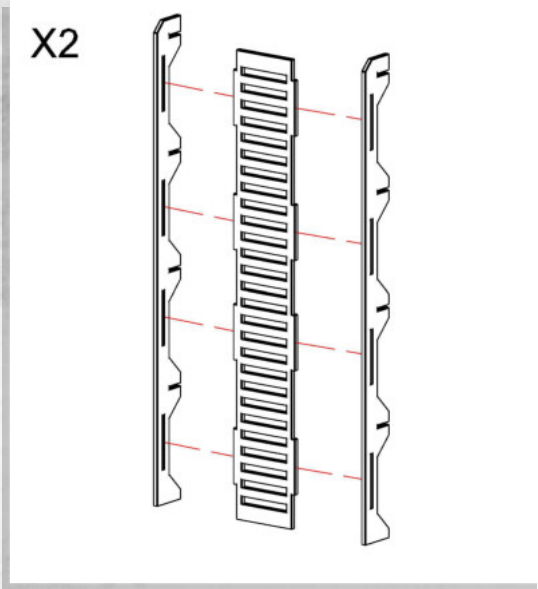


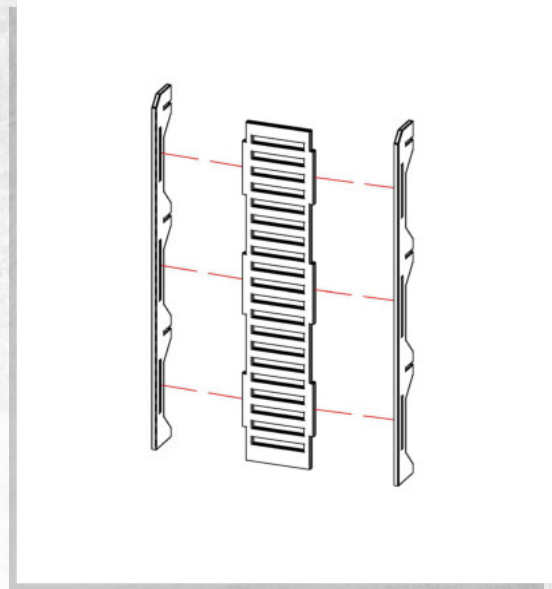


Complex Red Ladder Set - Assembly Guide

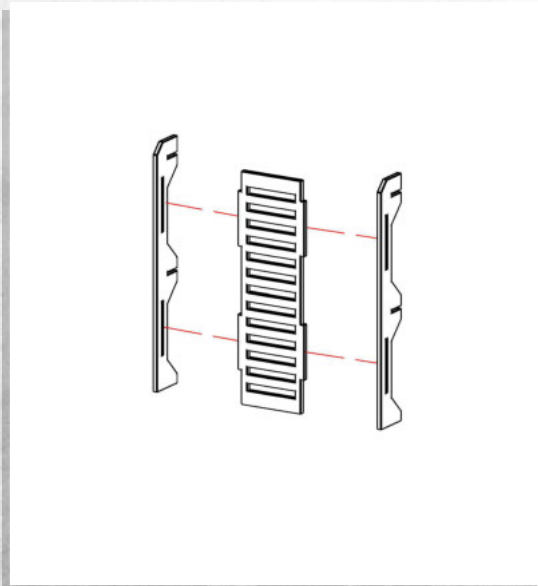
Parts may need careful removal from the MDF boards with a scalpel, and light sanding of any rough edges. We recommend testing assembling sections before permanently gluing together.



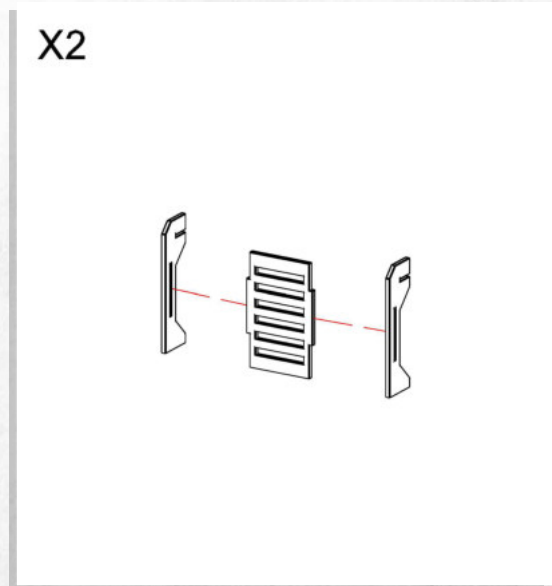
4 Storey Ladder



3 Storey Ladder



2 Storey Ladder



1 Storey Ladder