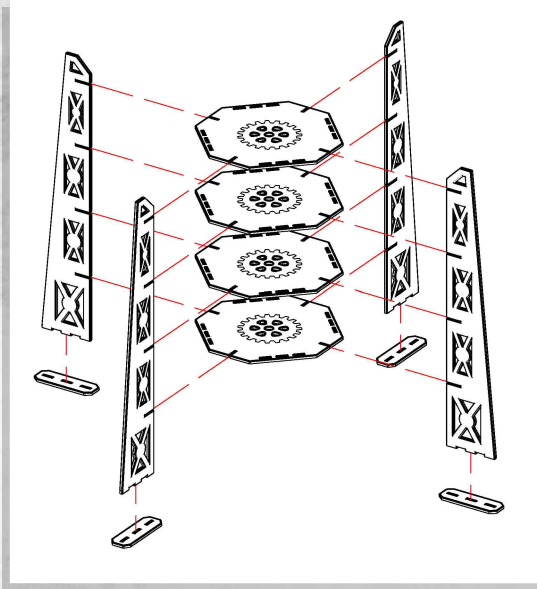


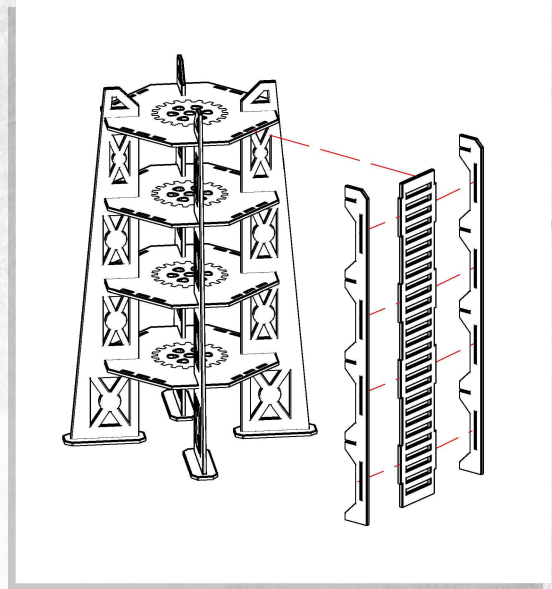


Complex Red 4 Storey Tower Set - Assembly Guide

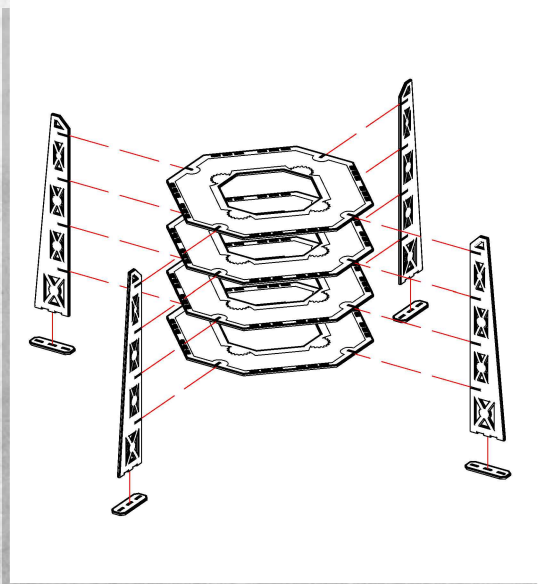
Parts may need careful removal from the MDF boards with a scalpel, and light sanding of any rough edges. We recommend testing assembling sections before permanently gluing together.



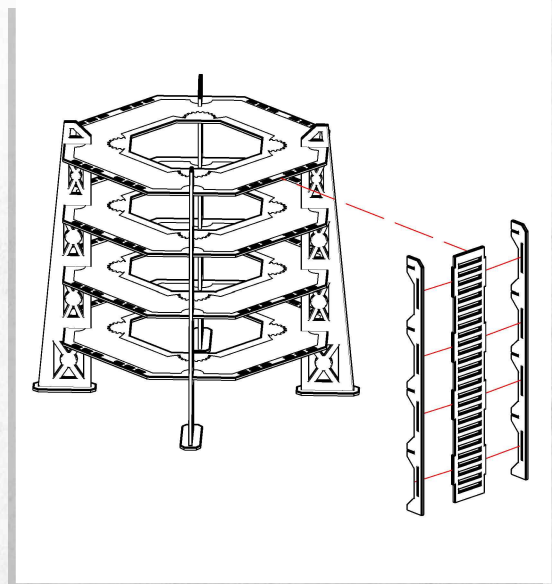
Tower 1 Assembly



Tower 1 Assembly



Tower 2 Assembly



Tower 2 Assembly