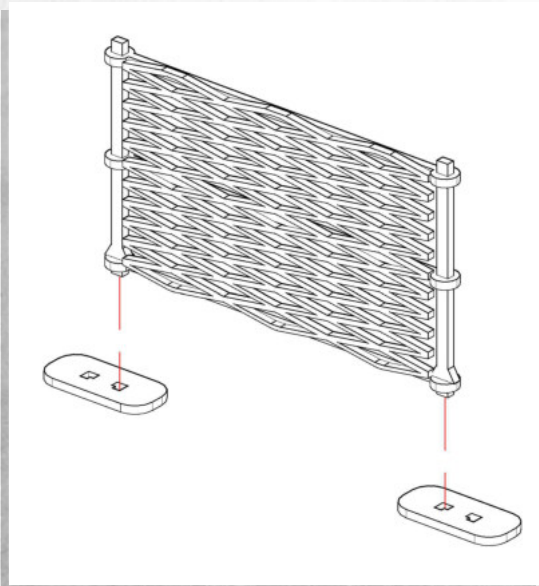
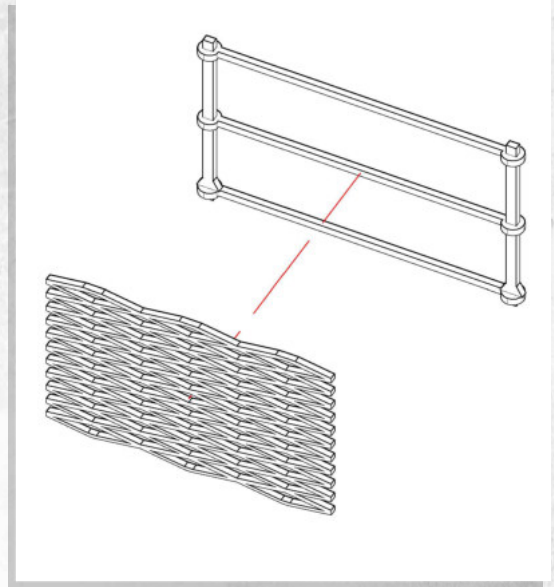
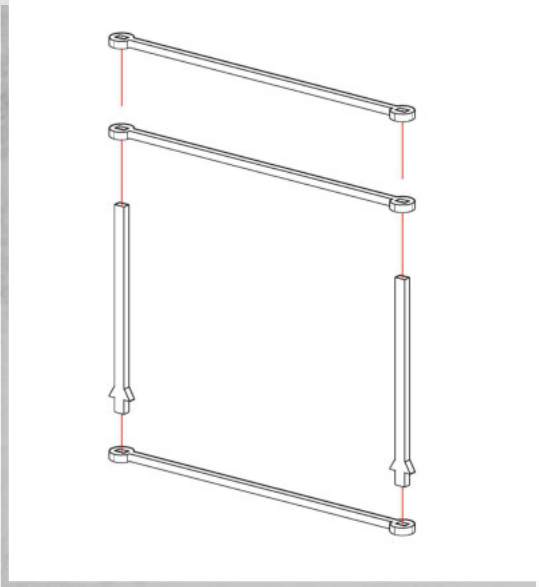


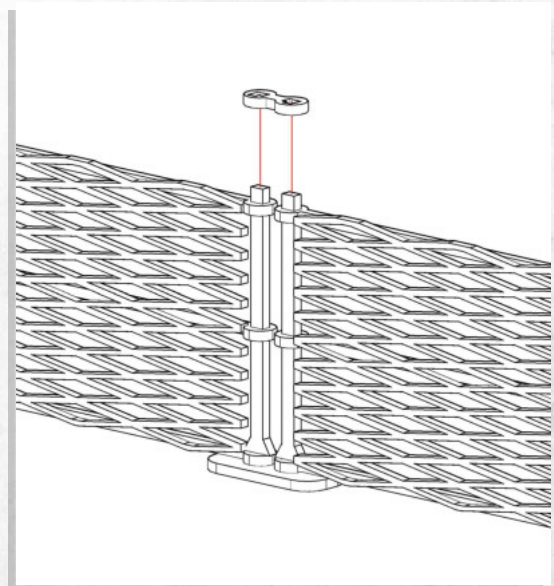


Woodford - Prison Security Fencing - Assembly Guide

Parts may need careful removal from the MDF boards with a scalpel, and light sanding of any rough edges. We recommend testing assembling sections before permanently gluing together.



NOTE: Do not use glue for this step.



NOTE: Do not use glue for this step.

