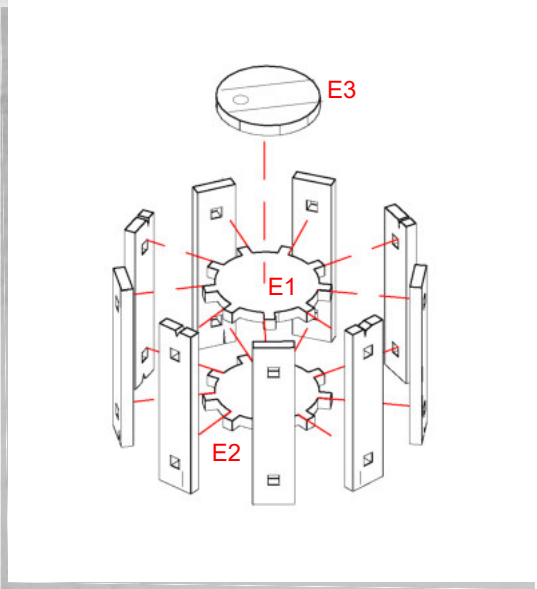


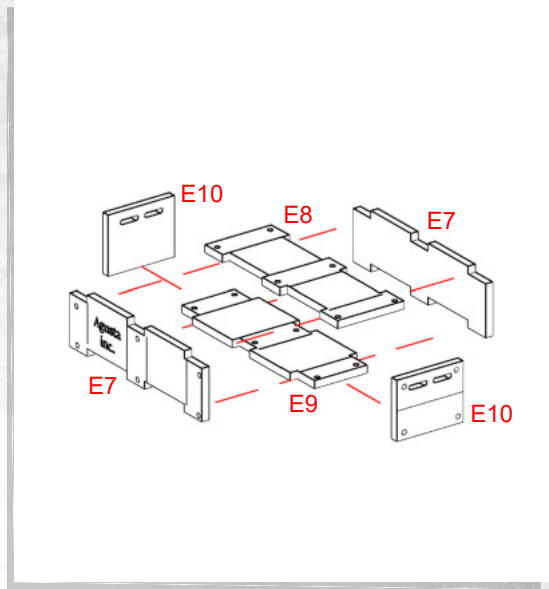


Augusta - Factory - Assembly Guide

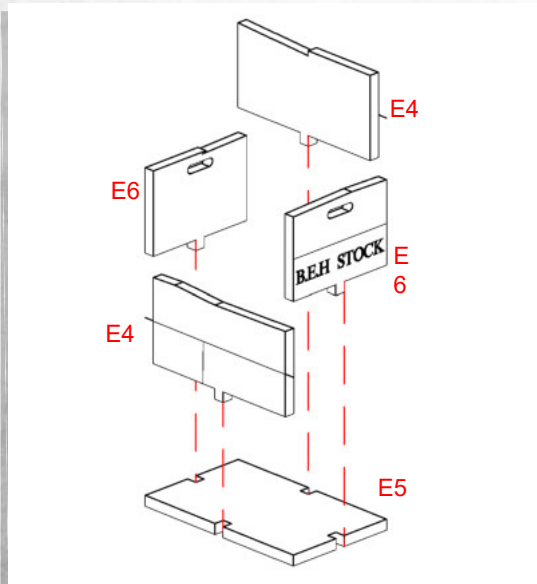
Warning: Pushing parts out by hand may cause damage. Parts may need careful removal from the MDF boards with a scalpel, and light sanding of any rough edges. We recommend testing assembling sections before permanently gluing together.



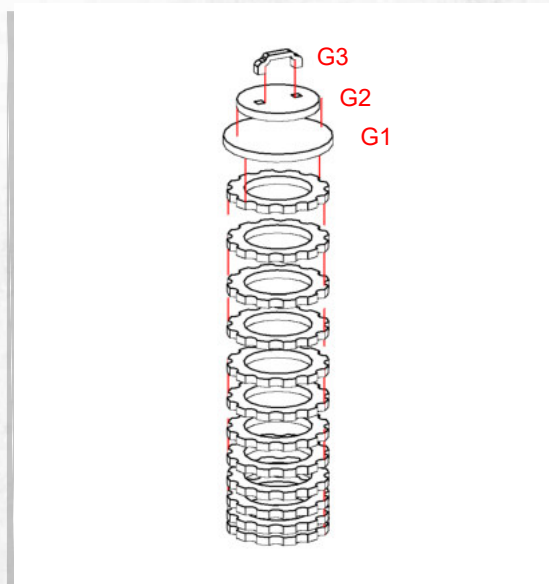
NOTE: Repeat



NOTE: Repeat



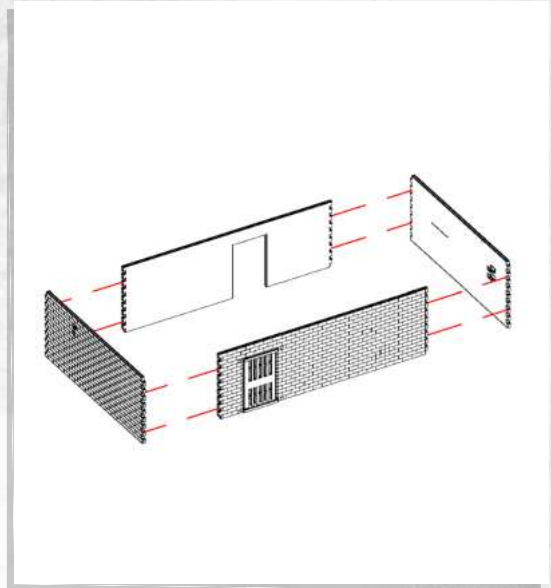
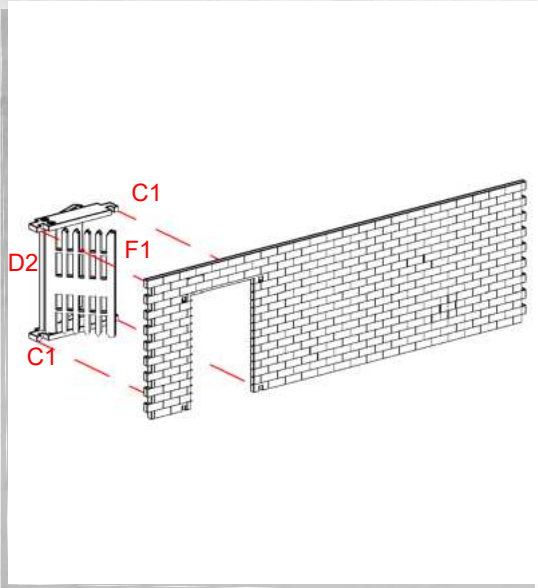
NOTE: Repeat



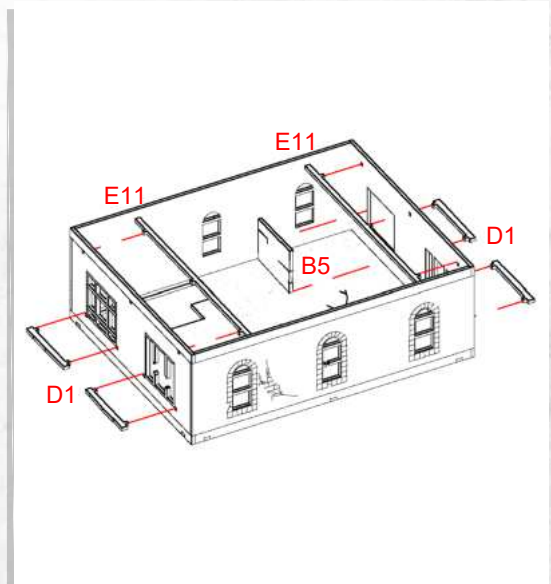
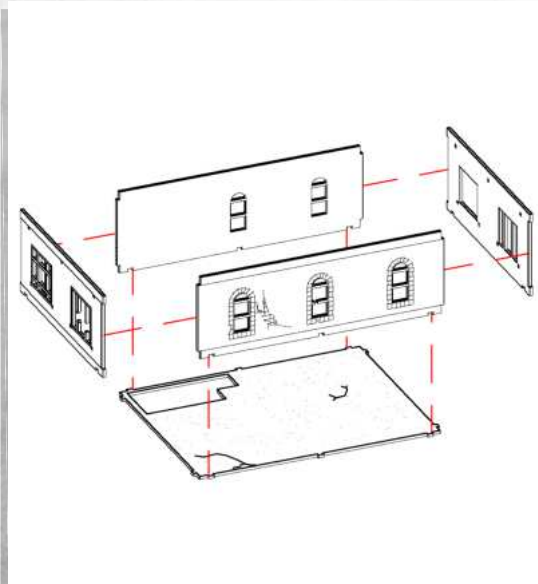


Augusta - Factory - Assembly Guide

Warning: Pushing parts out by hand may cause damage. Parts may need careful removal from the MDF boards with a scalpel, and light sanding of any rough edges. We recommend testing assembling sections before permanently gluing together.



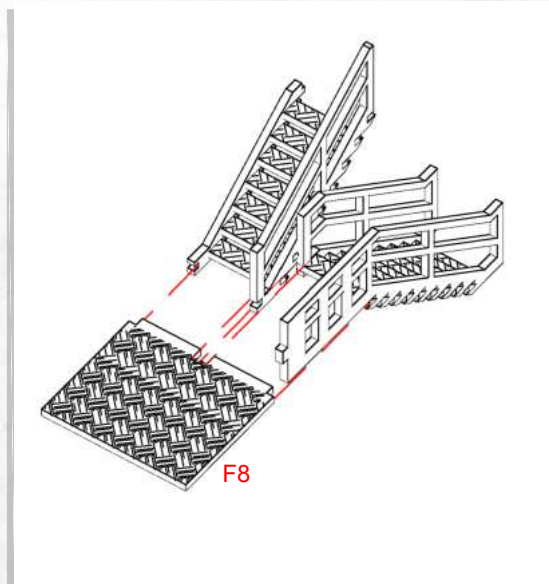
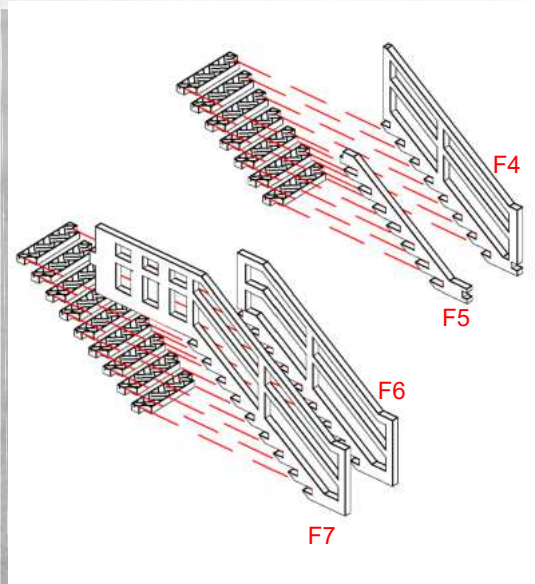
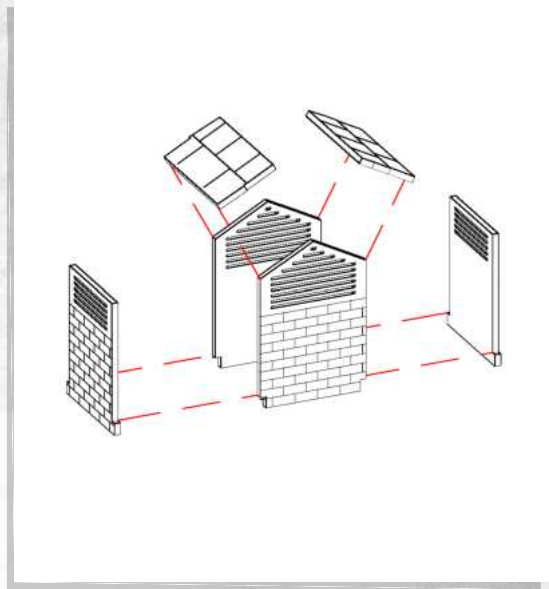
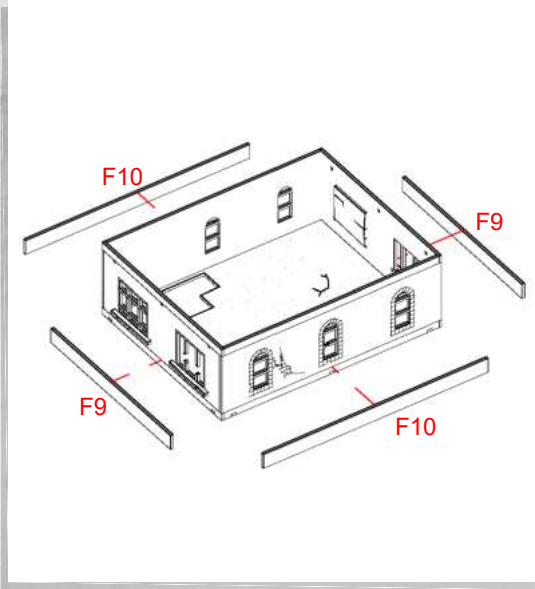
NOTE: Do not put glue on either door





Augusta - Factory - Assembly Guide

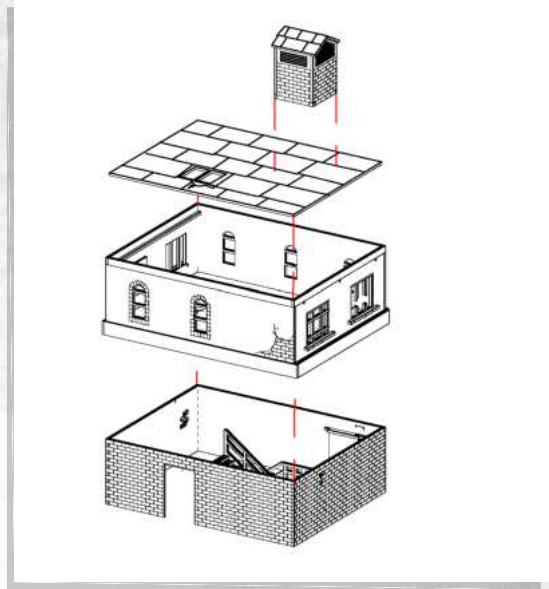
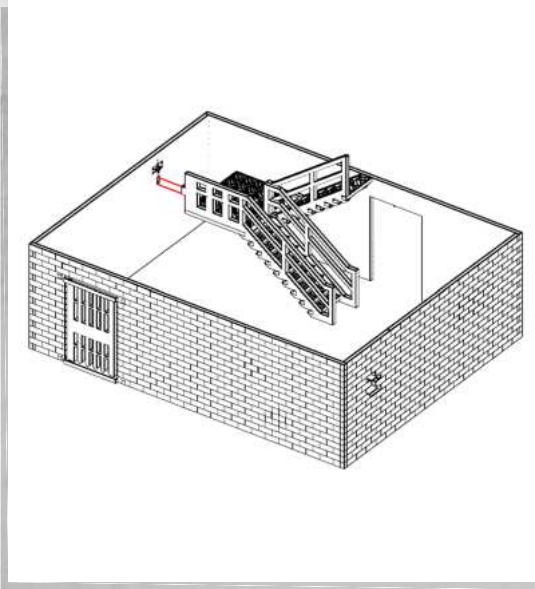
Warning: Pushing parts out by hand may cause damage. Parts may need careful removal from the MDF boards with a scalpel, and light sanding of any rough edges. We recommend testing assembling sections before permanently gluing together.



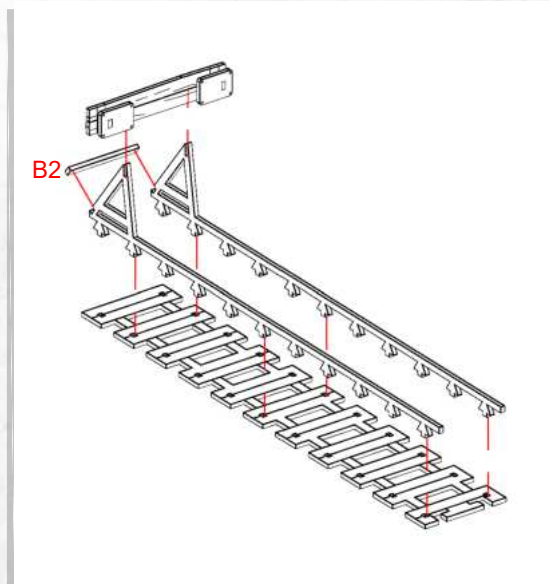
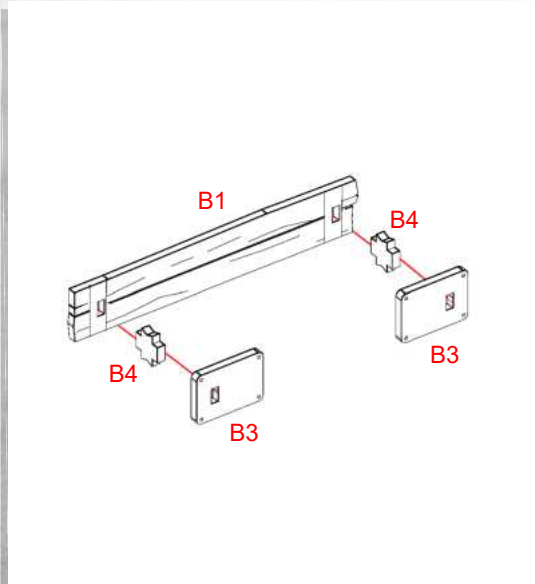


Augusta - Factory - Assembly Guide

Warning: Pushing parts out by hand may cause damage. Parts may need careful removal from the MDF boards with a scalpel, and light sanding of any rough edges. We recommend testing assembling sections before permanently gluing together.



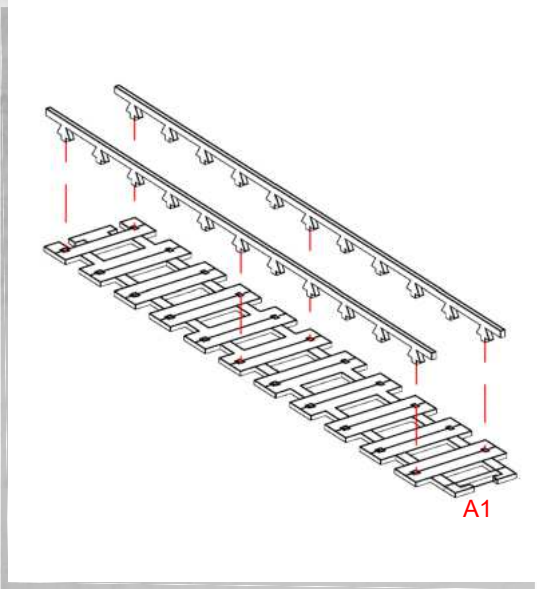
NOTE: Do not glue



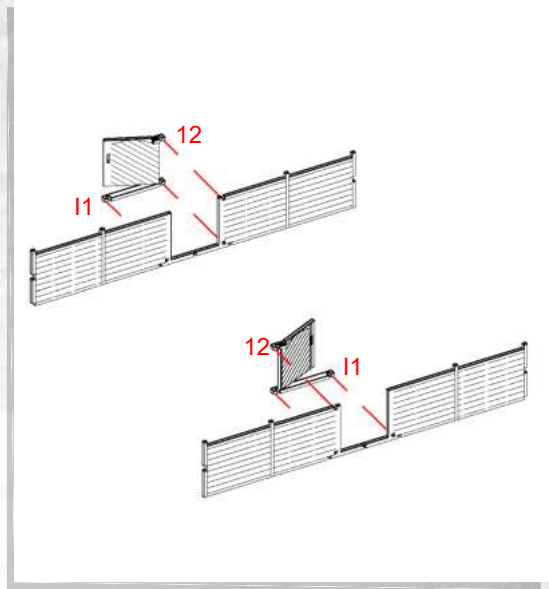


Augusta - Factory - Assembly Guide

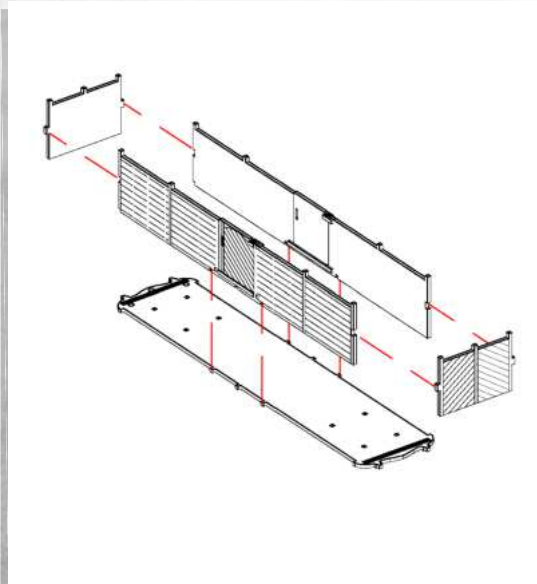
Warning: Pushing parts out by hand may cause damage. Parts may need careful removal from the MDF boards with a scalpel, and light sanding of any rough edges. We recommend testing assembling sections before permanently gluing together.



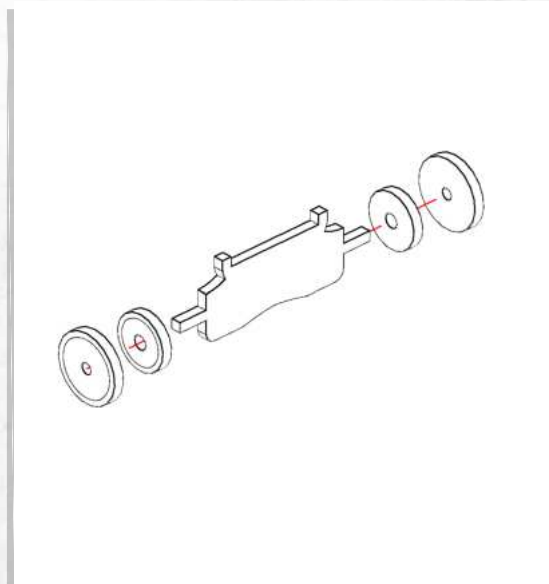
NOTE: Repeat for all



NOTE: Do not put glue on either door
NOTE: Repeat



NOTE: Repeat

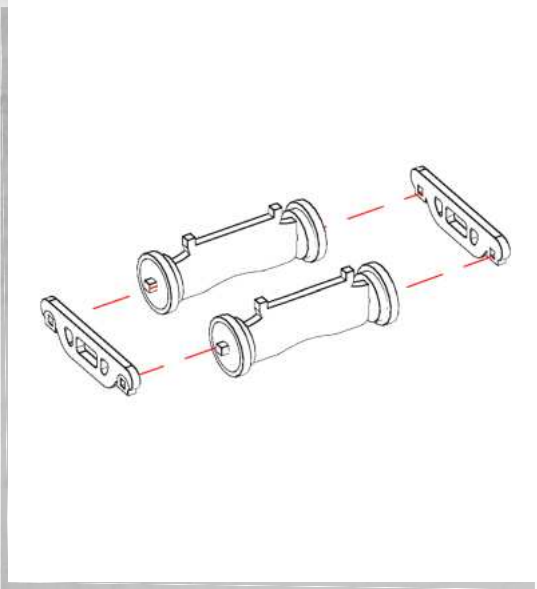


NOTE: Repeat for all

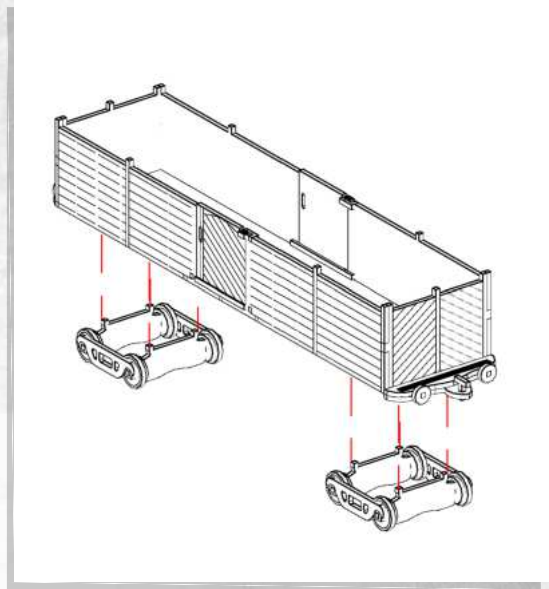


Augusta - Factory - Assembly Guide

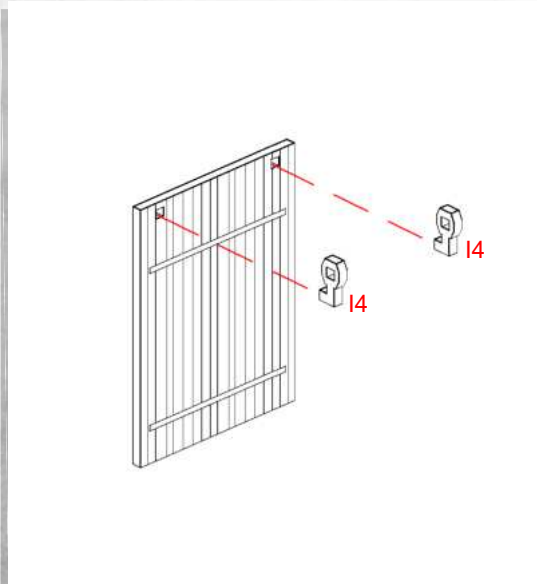
Warning: Pushing parts out by hand may cause damage. Parts may need careful removal from the MDF boards with a scalpel, and light sanding of any rough edges. We recommend testing assembling sections before permanently gluing together.



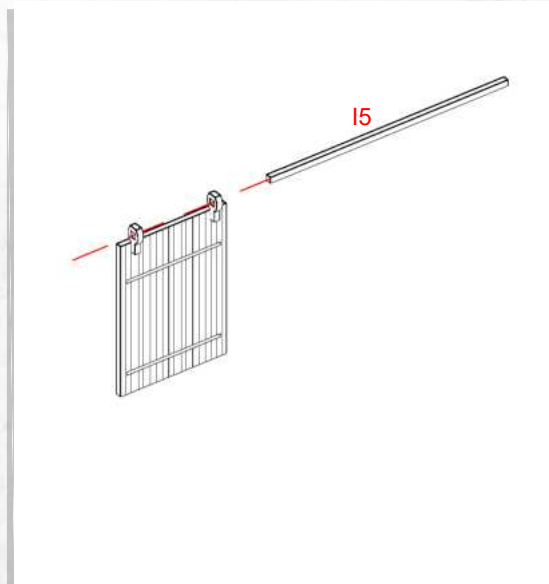
NOTE: Repeat for all



NOTE: Repeat



NOTE: Repeat

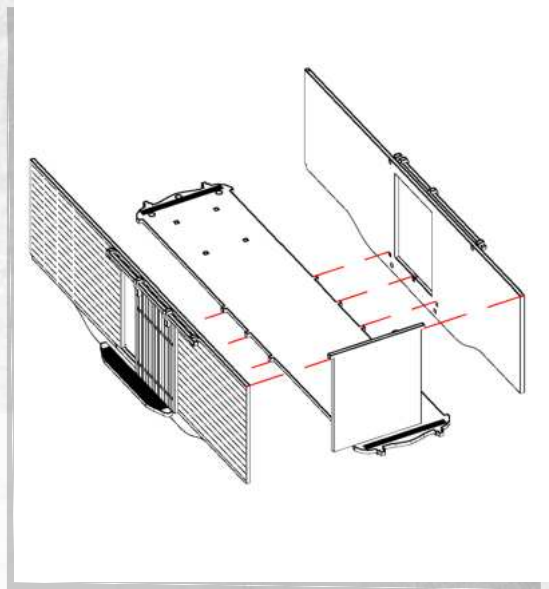
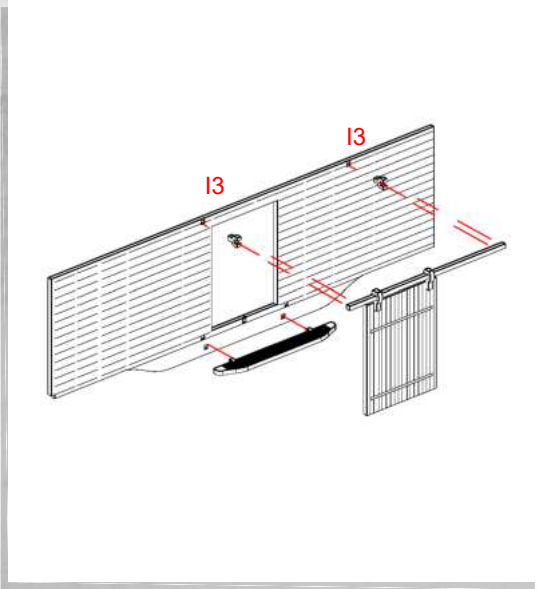


NOTE: Do not glue

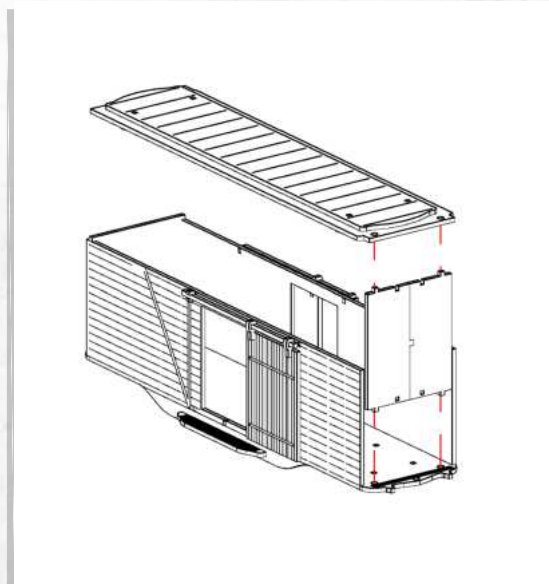
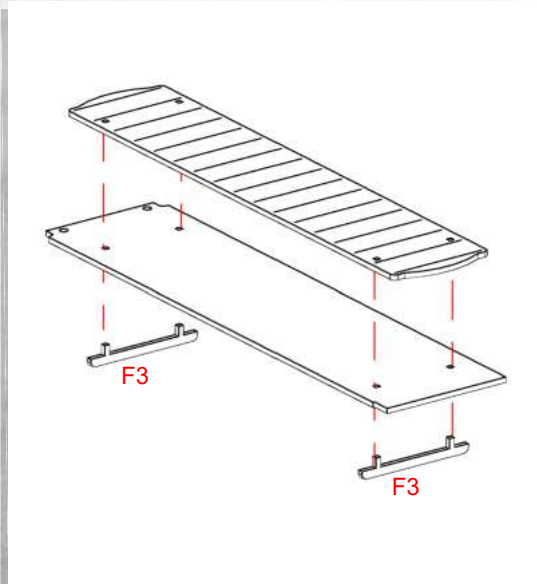


Augusta - Factory - Assembly Guide

Warning: Pushing parts out by hand may cause damage. Parts may need careful removal from the MDF boards with a scalpel, and light sanding of any rough edges. We recommend testing assembling sections before permanently gluing together.



NOTE: Repeat



NOTE: Do not glue doors



Augusta - Factory - Assembly Guide

Warning: Pushing parts out by hand may cause damage. Parts may need careful removal from the MDF boards with a scalpel, and light sanding of any rough edges. We recommend testing assembling sections before permanently gluing together.

