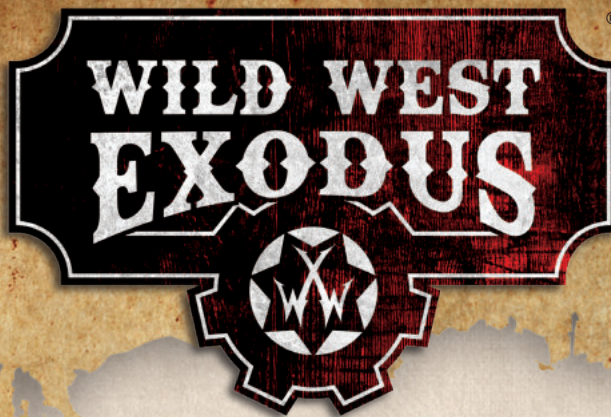




SCAN THIS CODE OR VISIT  
**WILDWESTEXODUS.COM**  
 FOR ASSEMBLY GUIDES AND MORE!

WEX991399038



# RED OAK GALLOWS & CLOCK

PART OF THE **DYSTOPIAN AGE**™



@WILDWESTEXODUS



@WARCRADLESTUDIOS



WARNING! NOT A TOY. AGE 14+  
 HOBBY GAMING PRODUCT  
 CONTAINS SMALL PARTS



ACHTUNG! KEIN SPIELZEUG. ALTER 14+  
 HOBBY SPIELPRODUCT  
 ENTHÄLT KLEINE TEILE



PRECAUCIÓN! NO ES UN JUGUETE EDADES. 14+  
 PRODUCTO DE HOBBY  
 CONTIENE PIEZAS PEQUEÑAS



ATTENTION! PAS UN JOUET. ANS 14+  
 PRODUIT DE JEU HOBBY  
 CONTIENT DE PETITES PIÈCES

THIS PRODUCT CONTAINS MEDIUM DENSITY FIBREBOARD (CLASS E1)

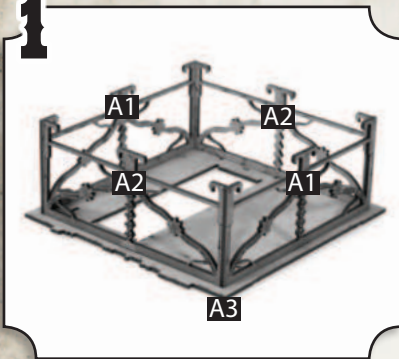


WARCRADLE STUDIOS IS A TRADING NAME OF WAYLAND GAMES LIMITED. WILD WEST EXODUS IS A TRADEMARK OF WAYLAND GAMES LIMITED.  
 ILLUSTRATIONS AND DESIGNS ARE COPYRIGHT © 2021 WAYLAND GAMES LIMITED. MADE IN THE UK.



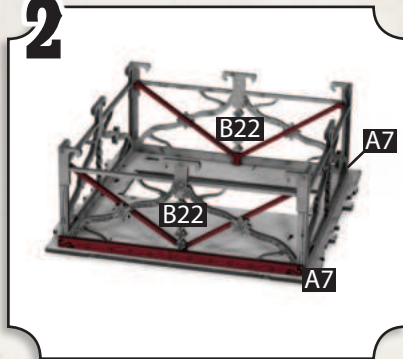
Parts may need careful removal from the MDF boards with a scalpel, and light sanding of any rough edges. We recommend testing assembling sections before permanently gluing together.

**1**



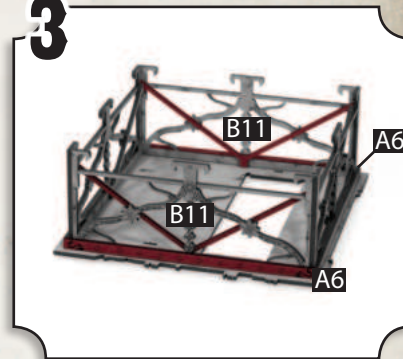
- Connect 2x A1 to the underside of A3 as shown.
- Connect 2x A2 to A3.

**2**



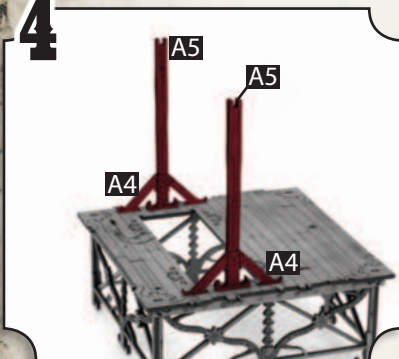
- Glue A7 onto the outside of A1.
- Glue B22 onto the inside of A1.
- Repeat on opposite side.

**3**



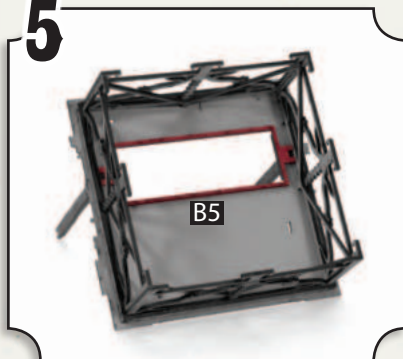
- Glue A6 onto the outside of A2.
- Glue B11 onto the inside of A2.
- Repeat on opposite side.

**4**



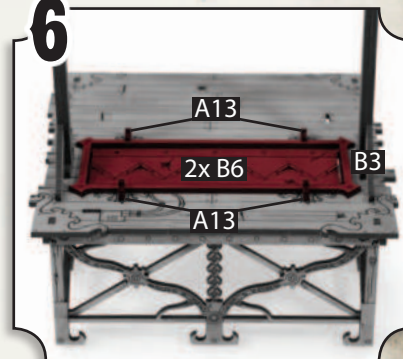
- Connect 2x A5 to A3.
- Connect 2x A4 to A5.

**5**



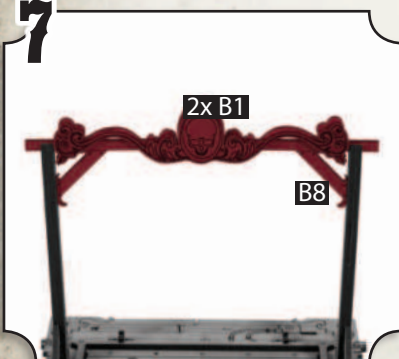
- Glue B5 on the underside of A3.

**6**



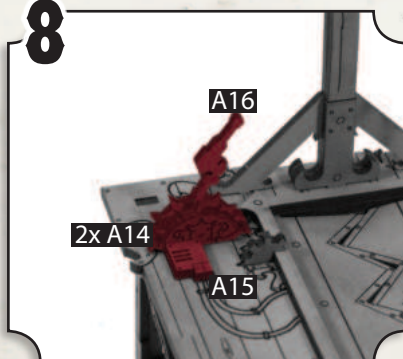
- Place 2x B6 where shown, doors can be assembled as either opened or closed.
- Glue B3 in place.
- Glue 4x A13 onto B3.

**7**



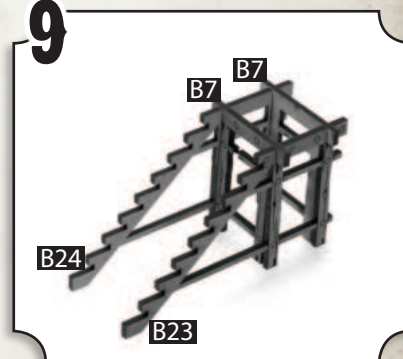
- Connect B8 to the two vertical posts.
- Glue a B1 on either side of B8.

**8**



- Combine A14, A16 & A14, connect where shown.
- Glue A15 beside the lever.

**9**



- Slot 2x B7 onto B23 & B24.