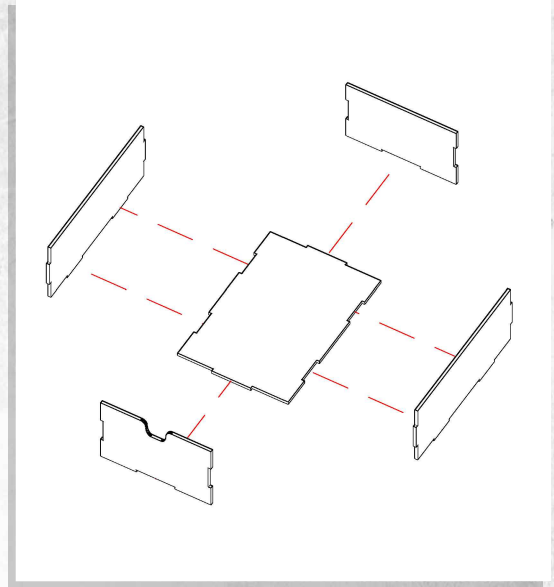
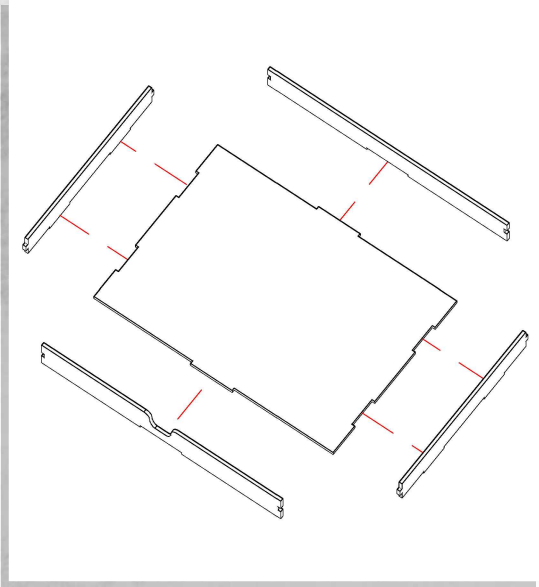


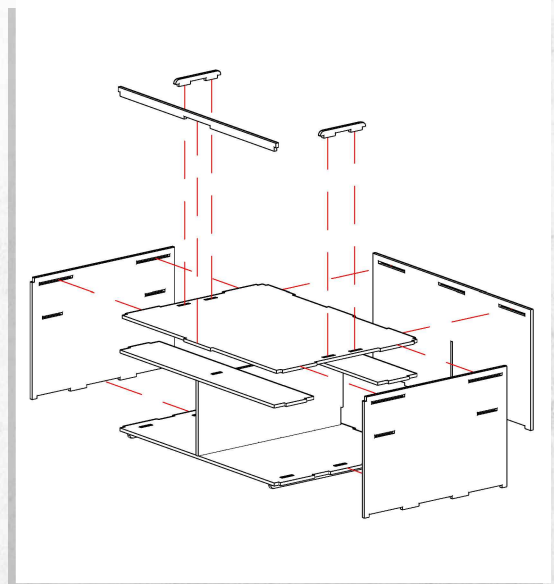
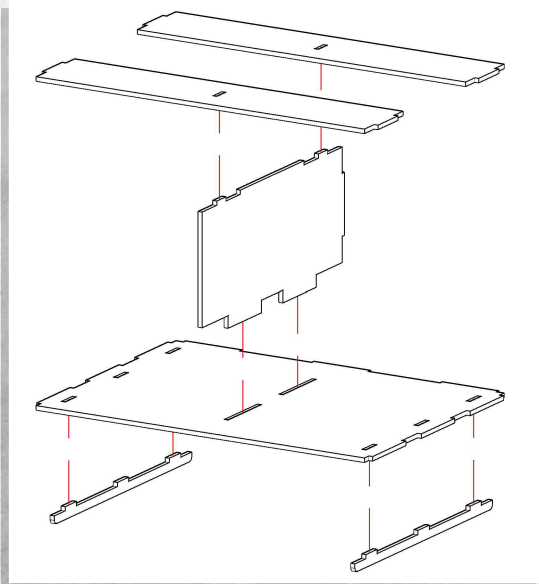


Paint Rack Storage - Assembly Guide

Parts may need careful removal from the MDF boards with a scalpel, and light sanding of any rough edges. We recommend testing assembling sections before permanently gluing together.



NOTE: Repeat for both drawers.



NOTE: After completion, the drawers may be slotted into the unit.

NOTE: The Warcradle Scenics Paint Rack can be placed on top of this storage unit.

