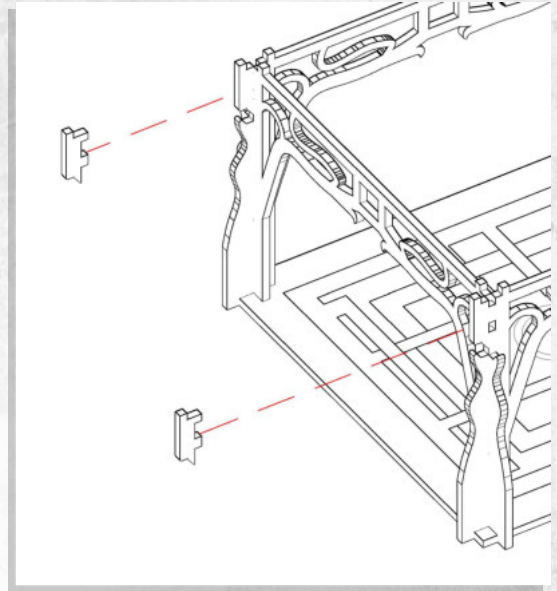
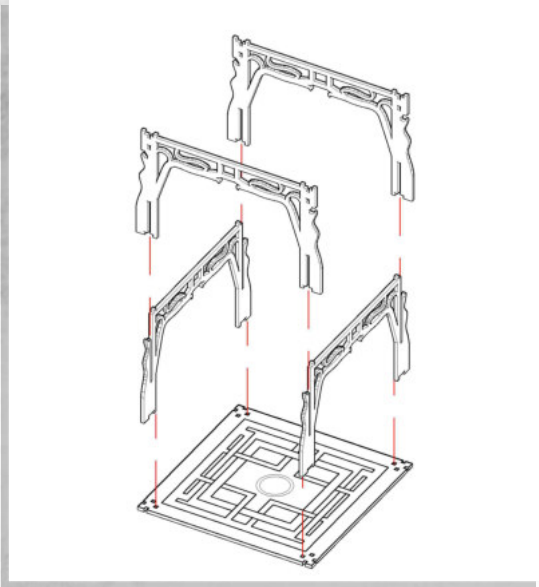


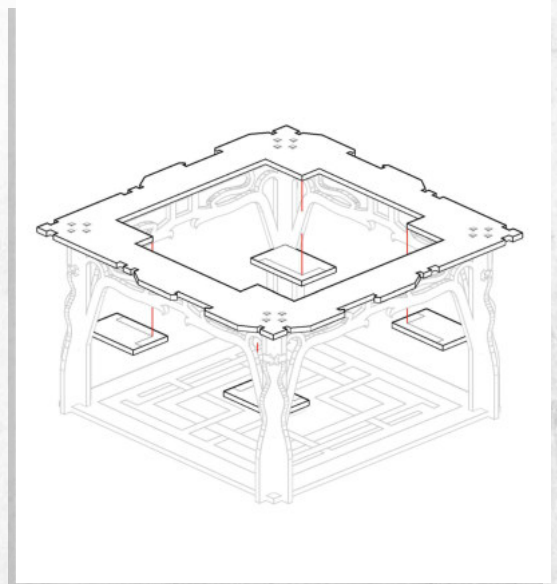
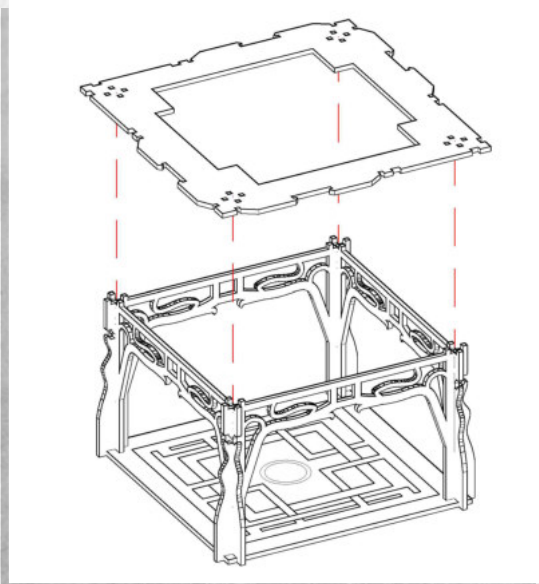


New Kyoto - Small H.A.B. - Assembly Guide

Parts may need careful removal from the MDF boards with a scalpel, and light sanding of any rough edges. We recommend testing assembling sections before permanently gluing together.



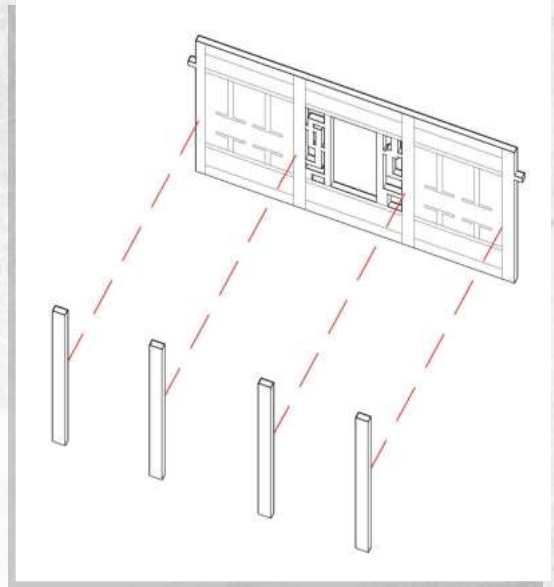
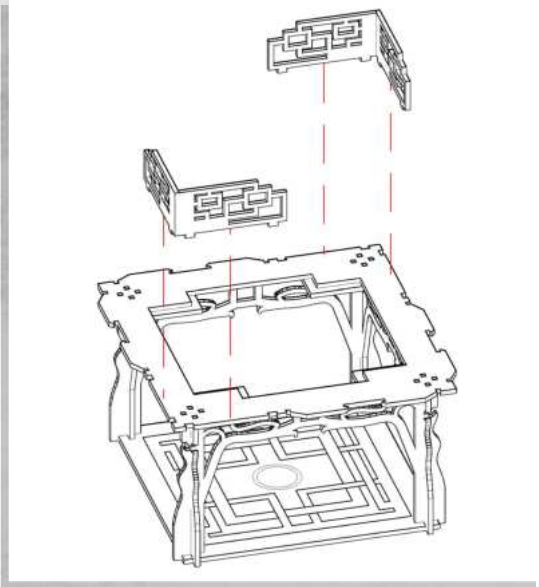
NOTE: Repeat for the opposite side.



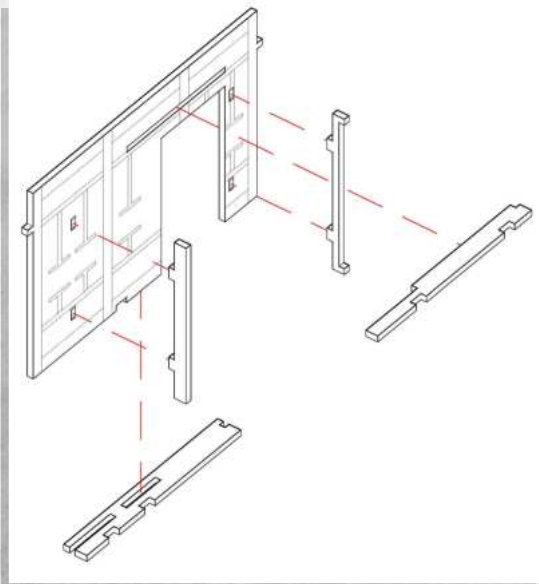


New Kyoto - Small H.A.B. - Assembly Guide

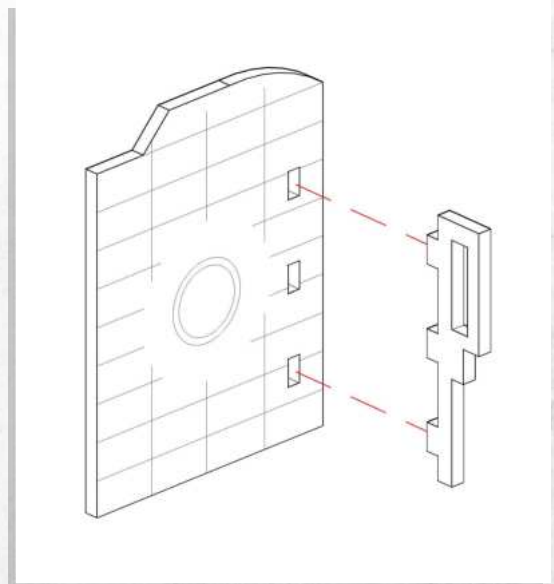
Parts may need careful removal from the MDF boards with a scalpel, and light sanding of any rough edges. We recommend testing assembling sections before permanently gluing together.



NOTE: Repeat for both side walls.



NOTE: Repeat for mirrored version.



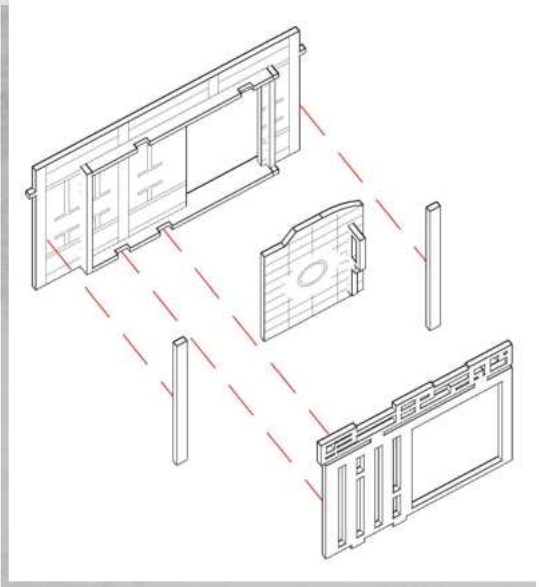
NOTE: Repeat for mirrored version.



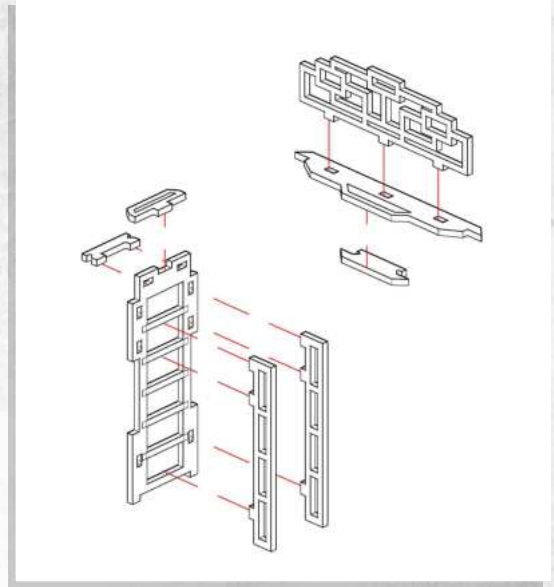


New Kyoto - Small H.A.B. - Assembly Guide

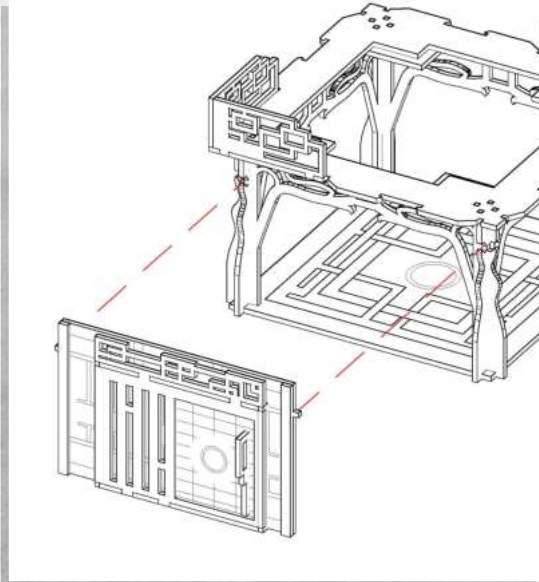
Parts may need careful removal from the MDF boards with a scalpel, and light sanding of any rough edges. We recommend testing assembling sections before permanently gluing together.



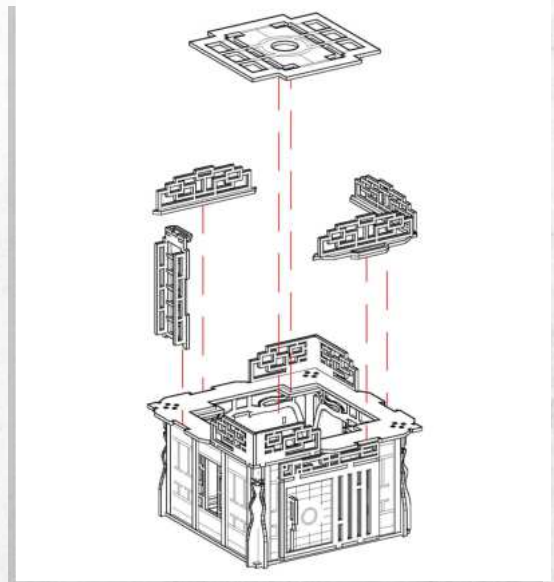
NOTE: Place the door within the frame (DO NOT GLUE) to allow it to slide.
NOTE: Repeat for mirrored version.



NOTE: Repeat for all Barriers and Ladders.



NOTE: Insert walls (DO NOT GLUE) where desired.



NOTE: Insert accessories and roof (DO NOT GLUE).