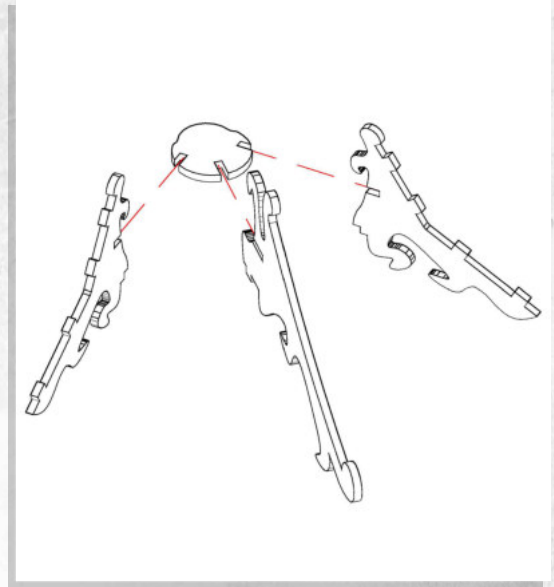
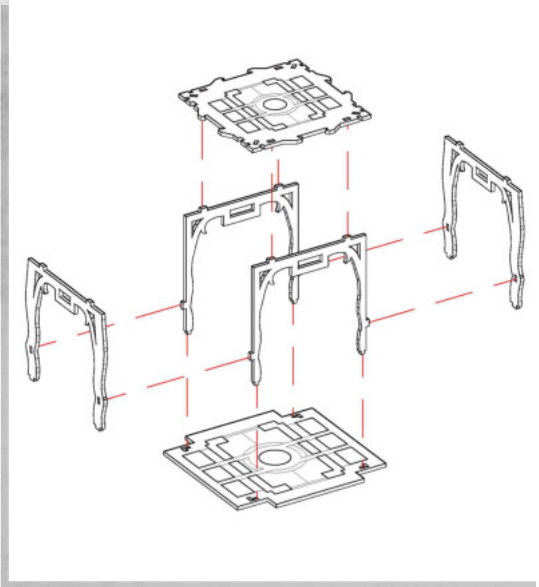


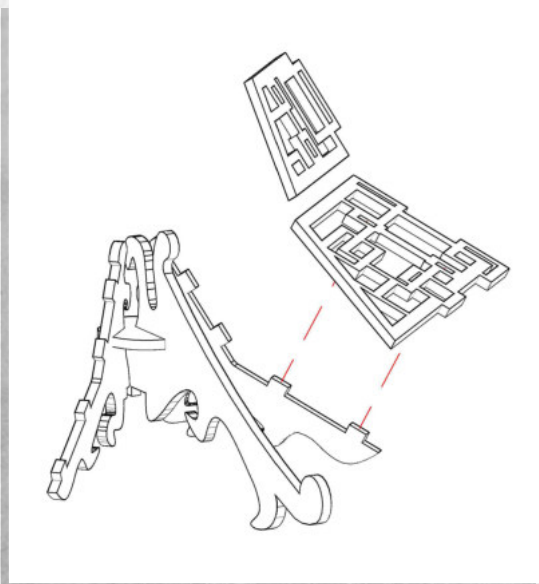


New Kyoto - Pagoda - Assembly Guide

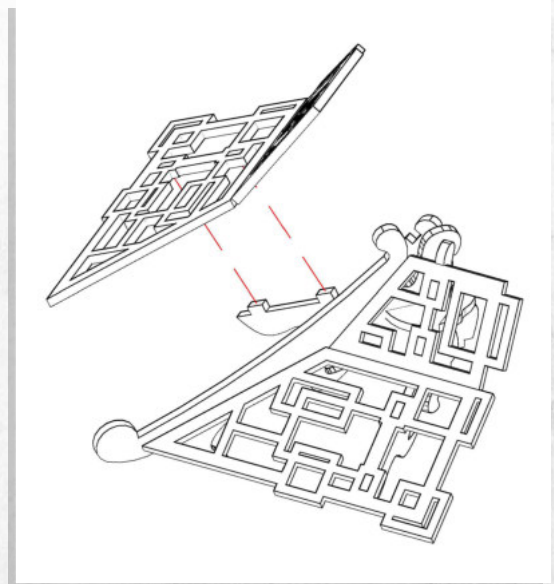
Parts may need careful removal from the MDF boards with a scalpel, and light sanding of any rough edges. We recommend testing assembling sections before permanently gluing together.



NOTE: Repeat for all corner pieces.



NOTE: Repeat for all corner pieces.



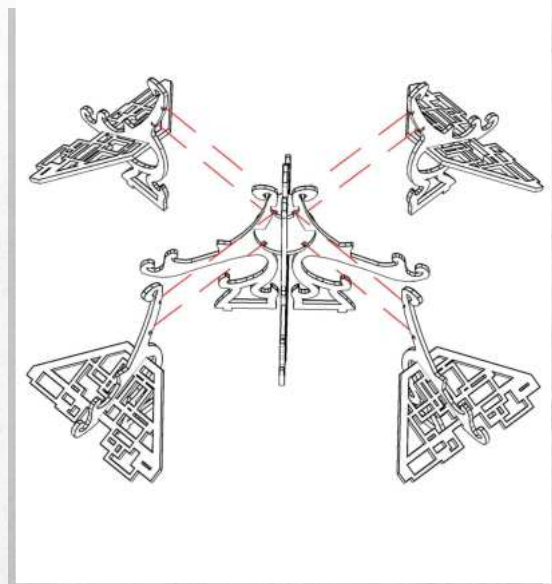
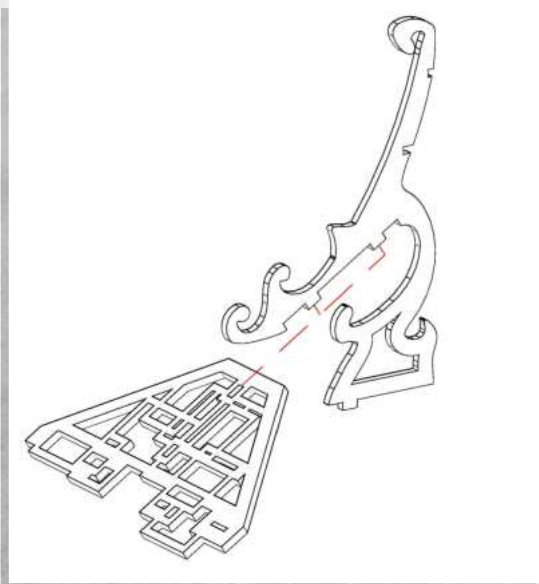
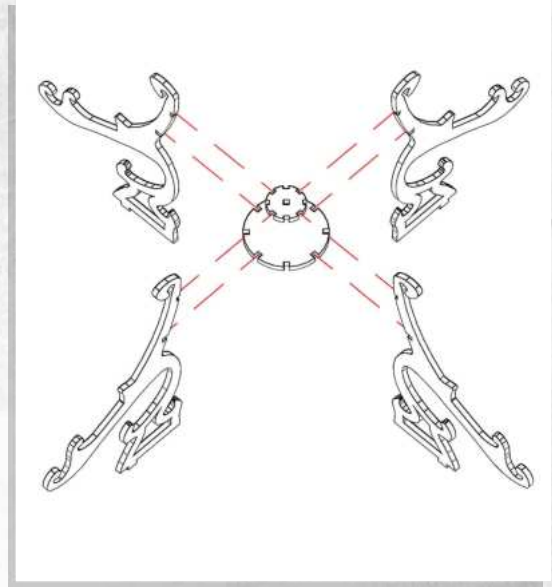
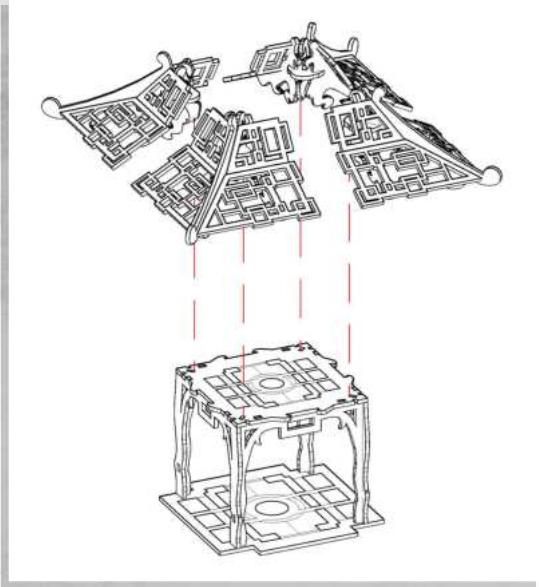
NOTE: Repeat for all corner pieces.





New Kyoto - Pagoda - Assembly Guide

Parts may need careful removal from the MDF boards with a scalpel, and light sanding of any rough edges. We recommend testing assembling sections before permanently gluing together.



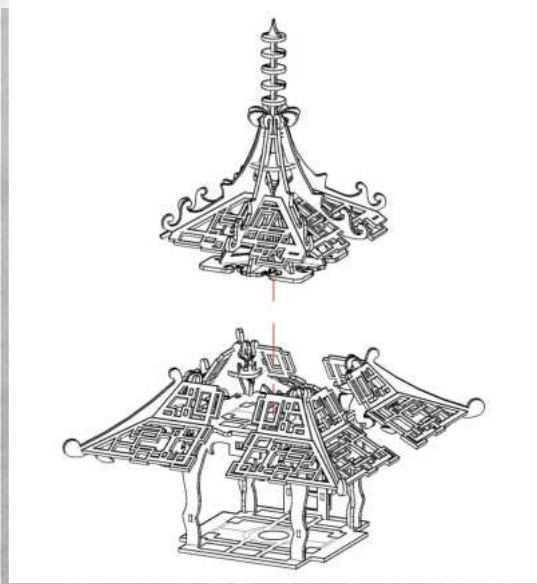
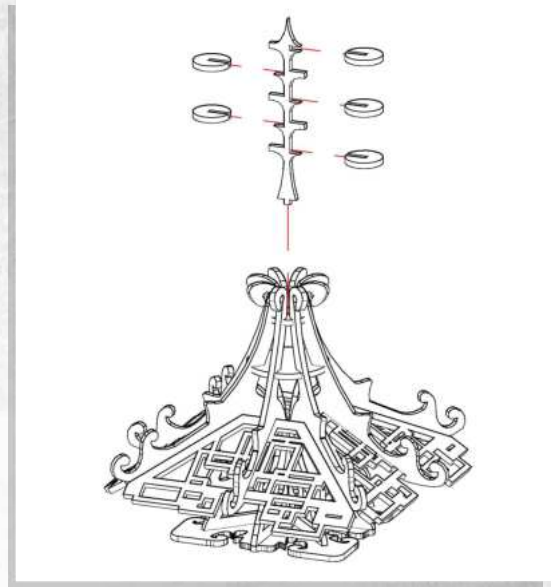
NOTE: Repeat for the four sides.



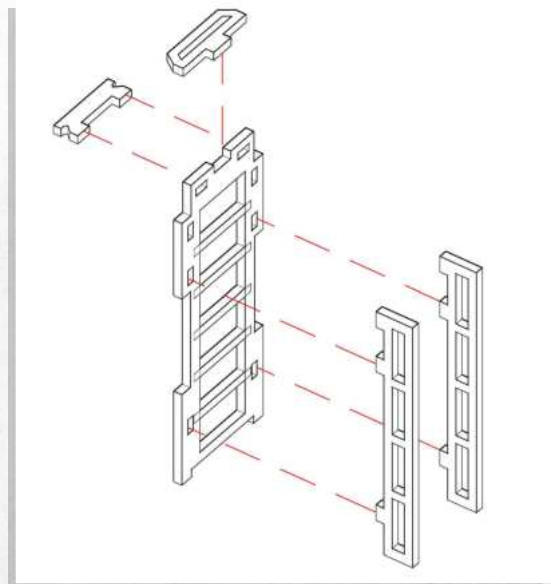
WARCRADLETM
SCENICS

New Kyoto - Pagoda - Assembly Guide

Parts may need careful removal from the MDF boards with a scalpel, and light sanding of any rough edges. We recommend testing assembling sections before permanently gluing together.



NOTE: Place the roof on the pagoda.
(DO NOT GLUE).



NOTE: The ladders can be placed
around the pagoda.



WARCRADLETM
STUDIOS

WARCRADLE STUDIOS IS A TRADING NAME OF WAYLAND GAMES LIMITED.
ILLUSTRATIONS AND DESIGNS ARE COPYRIGHT © 2019 WAYLAND GAMES LIMITED. ASSEMBLED IN THE UK.