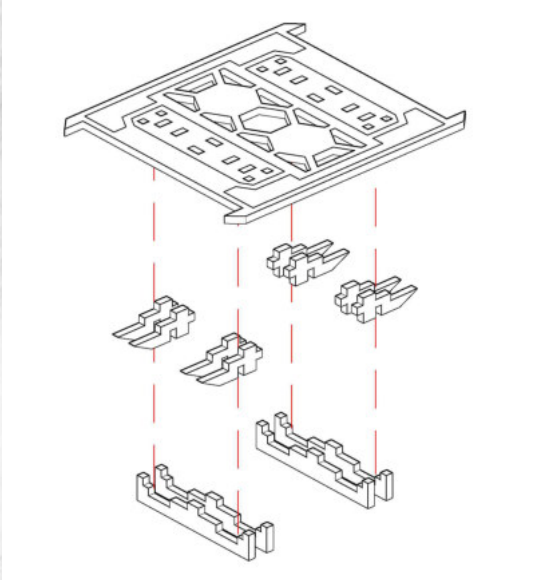


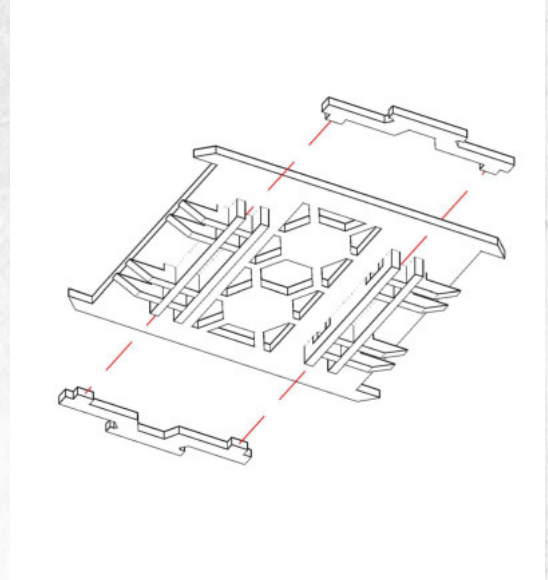


Tech City - Hallway Set - Assembly Guide

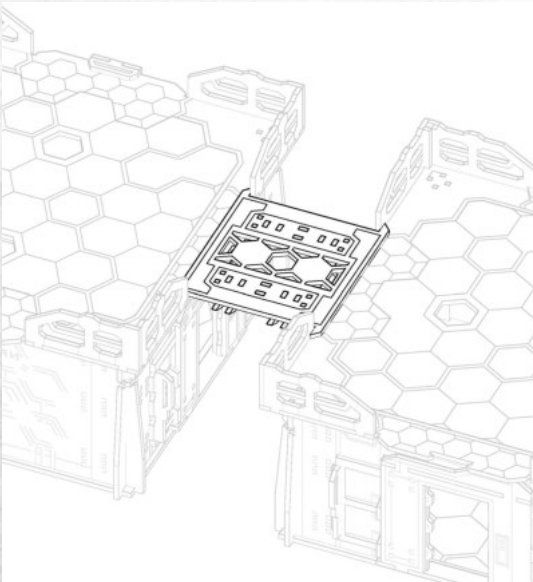
Parts may need careful removal from the MDF boards with a scalpel, and light sanding of any rough edges. We recommend testing assembling sections before permanently gluing together.



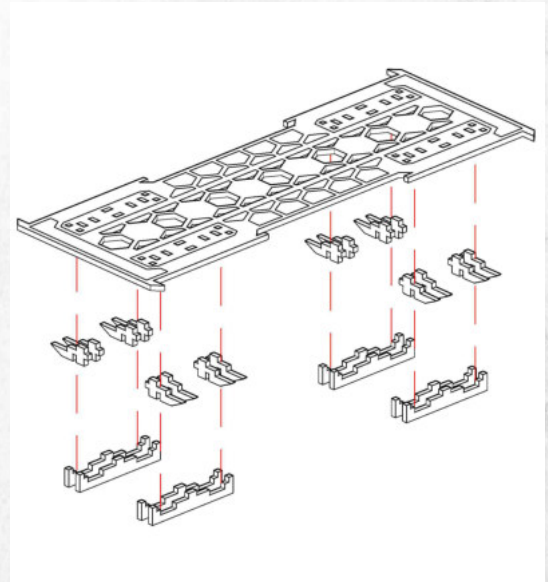
NOTE: Repeat for all small Walkways.



NOTE: Repeat for all small Walkways.



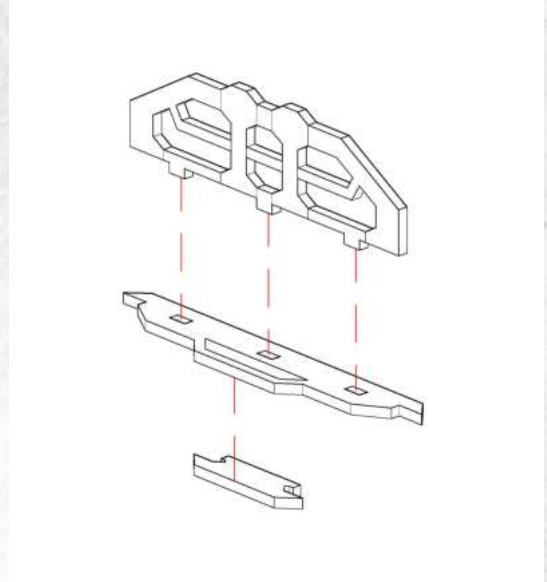
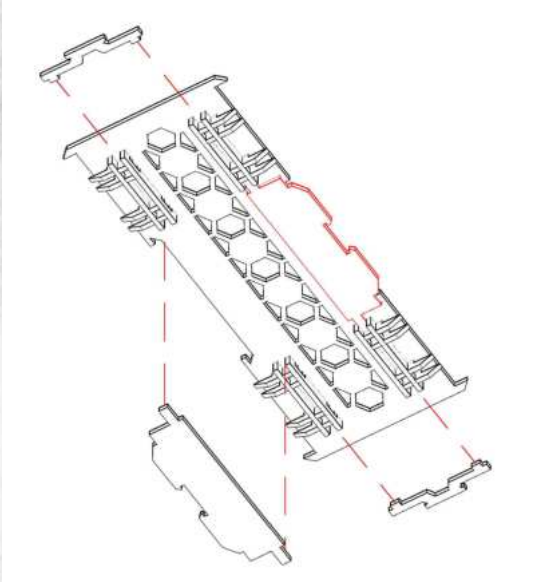
NOTE: Walkway can be placed onto Tech City Buildings without gluing.



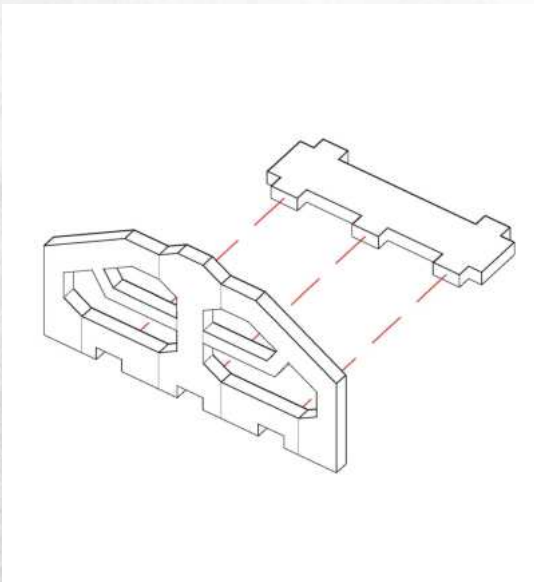


Tech City - Hallway Set - Assembly Guide

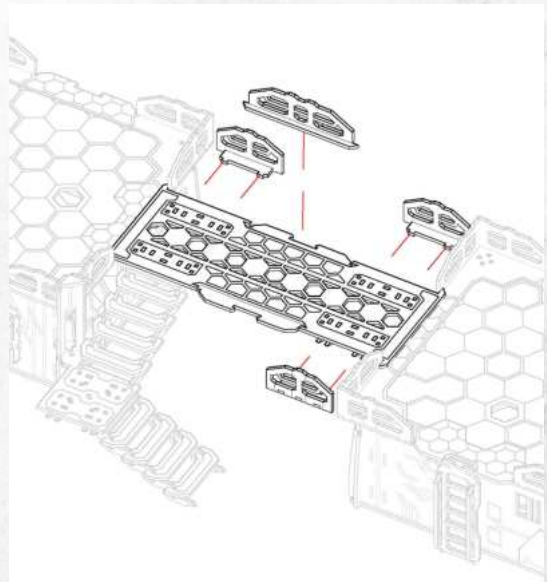
Parts may need careful removal from the MDF boards with a scalpel, and light sanding of any rough edges. We recommend testing assembling sections before permanently gluing together.



NOTE: Repeat for all barriers.



NOTE: Repeat for all barriers.



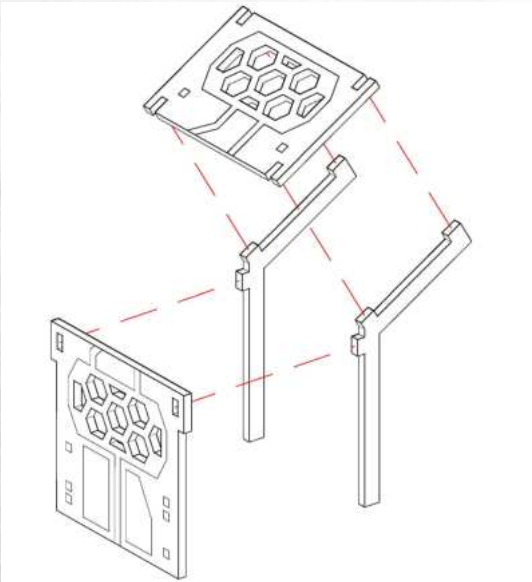
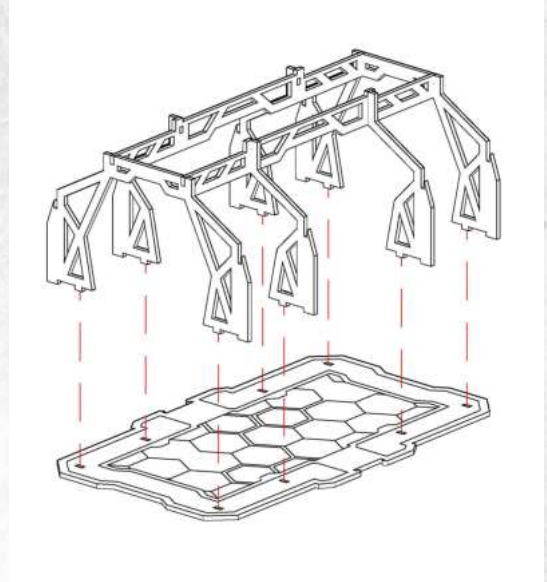
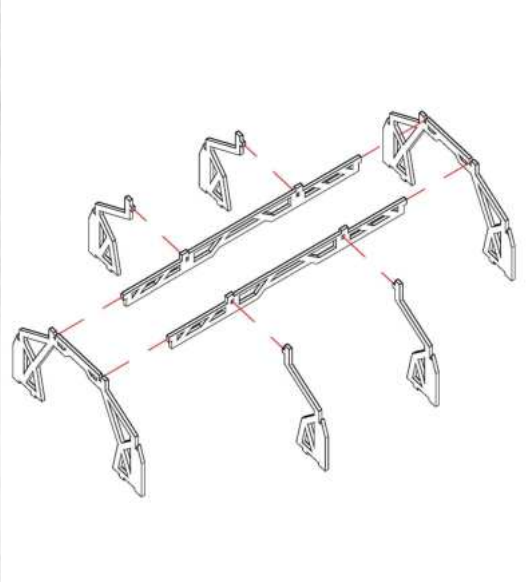
NOTE: Walkway can be placed onto Tech City Buildings and customised with barriers (DO NOT GLUE).



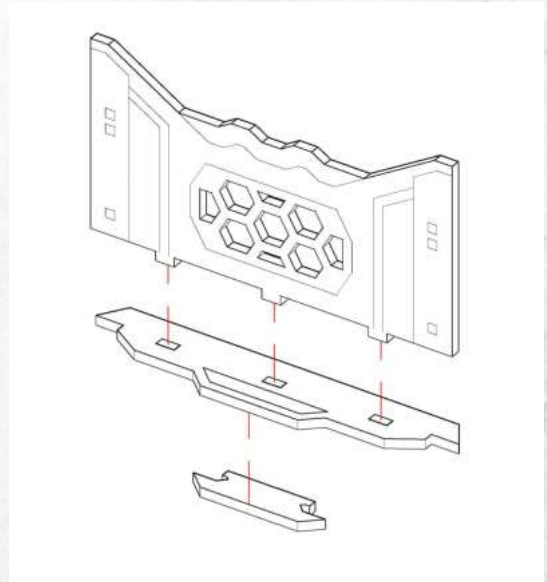


Tech City - Hallway Set - Assembly Guide

Parts may need careful removal from the MDF boards with a scalpel, and light sanding of any rough edges. We recommend testing assembling sections before permanently gluing together.



NOTE: Repeat for all wall sections.



NOTE: Repeat for all wall sections.

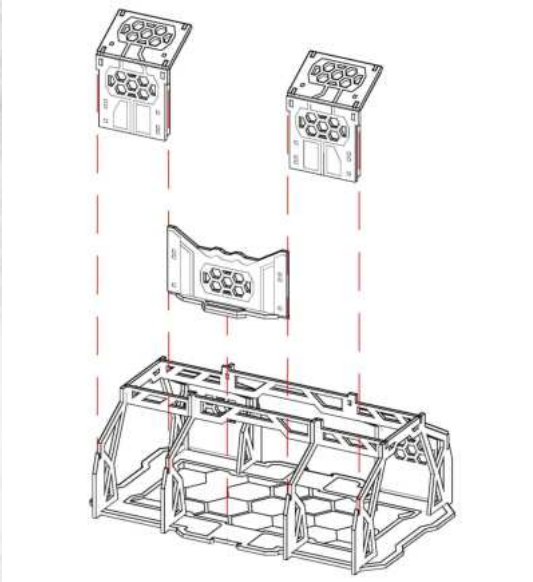




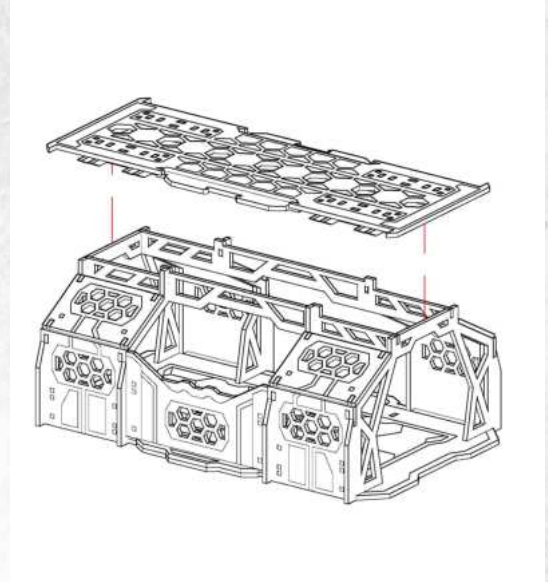
WARCRADLETM
SCENICS

Tech City - Hallway Set - Assembly Guide

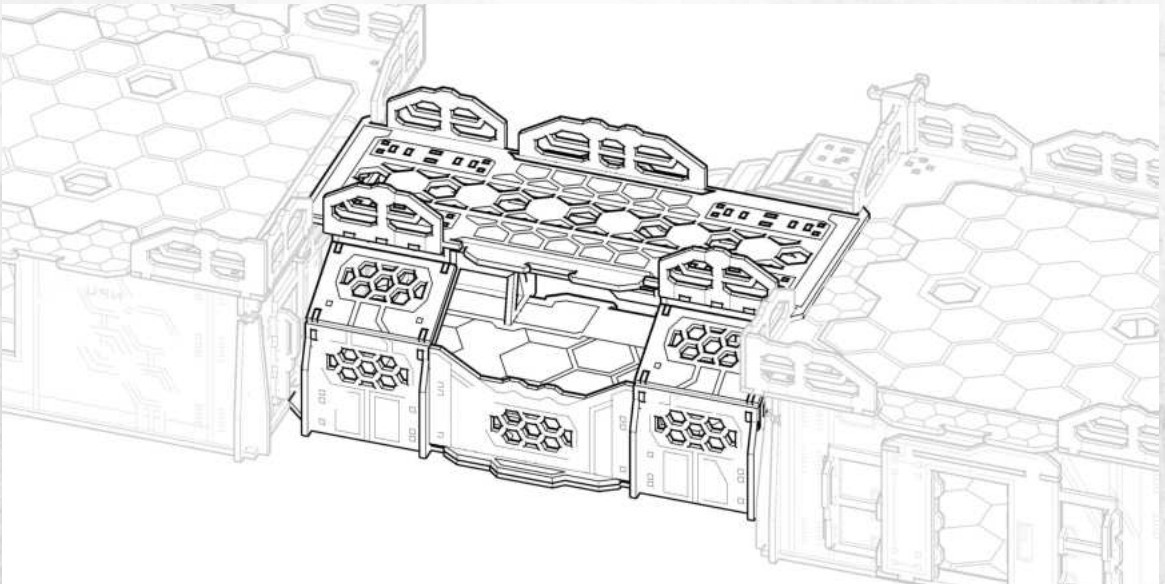
Parts may need careful removal from the MDF boards with a scalpel, and light sanding of any rough edges. We recommend testing assembling sections before permanently gluing together.



NOTE: Customise the Hallway with wall sections (DO NOT GLUE).



NOTE: Walkway can be placed on top of the Hallway (DO NOT GLUE).



WARCRADLETM
STUDIOS

WARCRADLE STUDIOS IS A TRADING NAME OF WAYLAND GAMES LIMITED.
ILLUSTRATIONS AND DESIGNS ARE COPYRIGHT © 2019 WAYLAND GAMES LIMITED. ASSEMBLED IN THE UK.