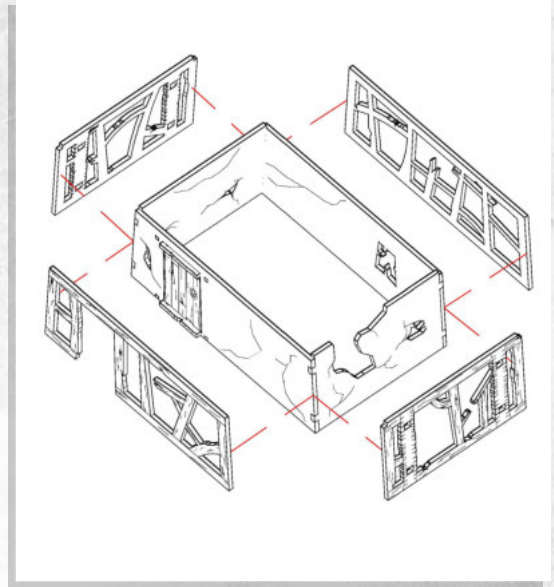
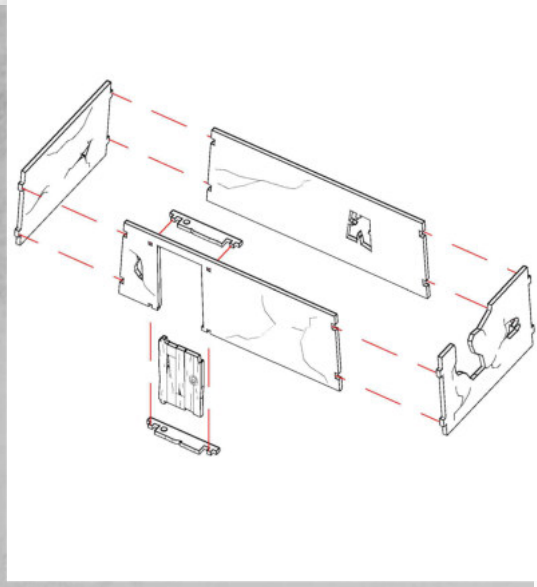


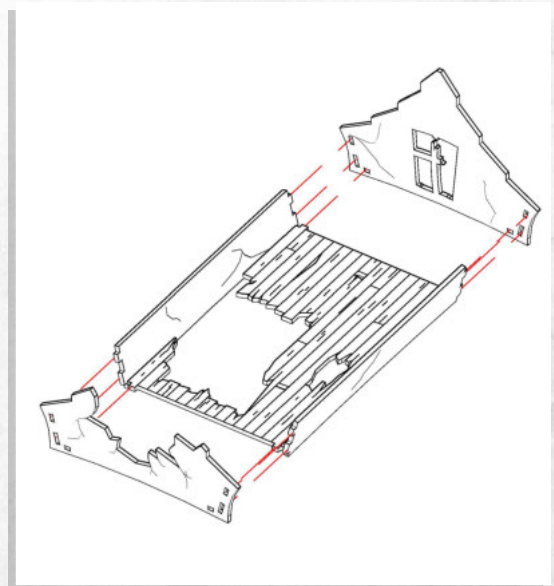
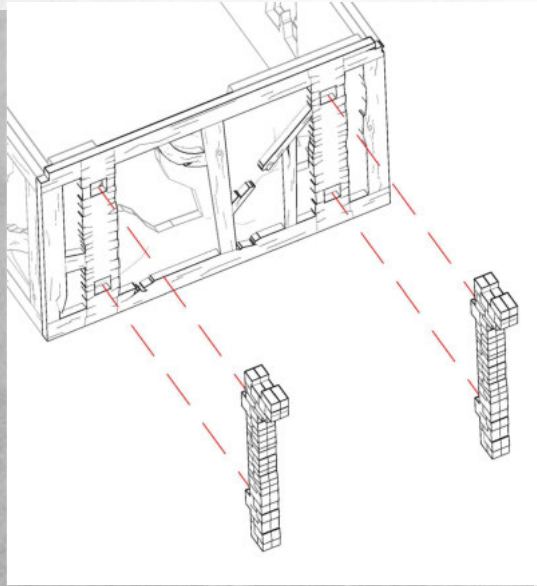


## Gloomburg - Cottage - Assembly Guide

Parts may need careful removal from the MDF boards with a scalpel, and light sanding of any rough edges. We recommend testing assembling sections before permanently gluing together.



**NOTE:** Do not use glue when inserting the door into the frame.



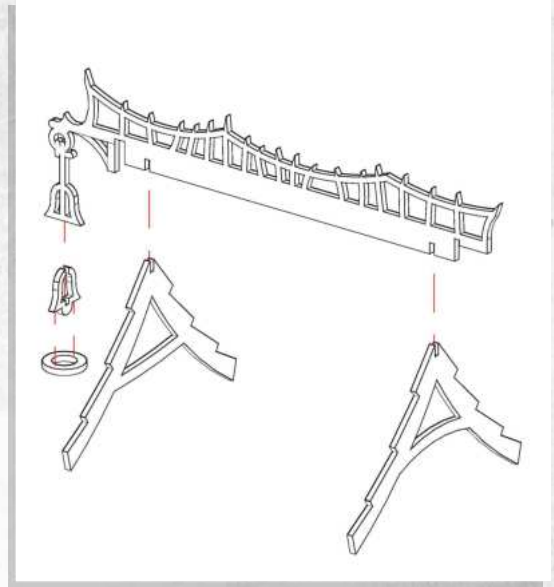
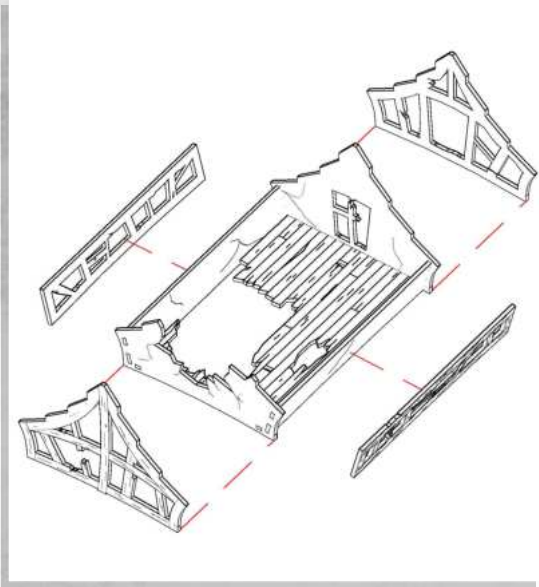
**NOTE:** Repeat for opposite end.



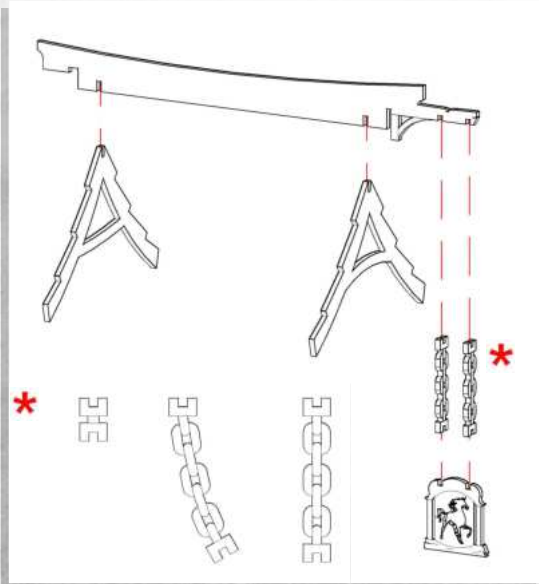


## Gloomburg - Cottage - Assembly Guide

Parts may need careful removal from the MDF boards with a scalpel, and light sanding of any rough edges. We recommend testing assembling sections before permanently gluing together.

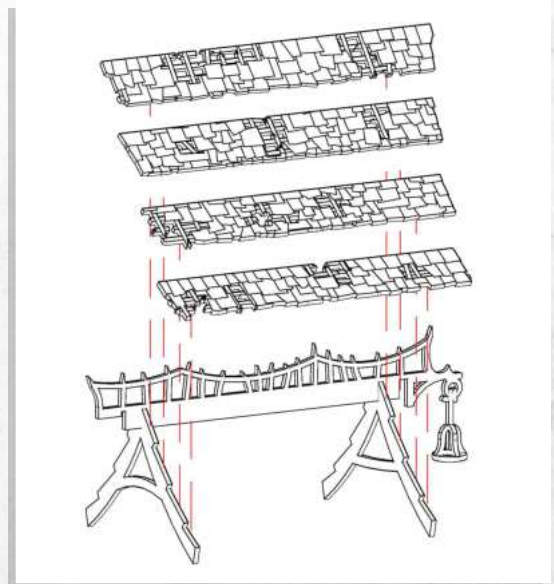


NOTE: Roof Option A



NOTE: Roof Option B

NOTE: Choose one of three chain styles to attach the sign.



NOTE: Repeat for both sides of the roof.



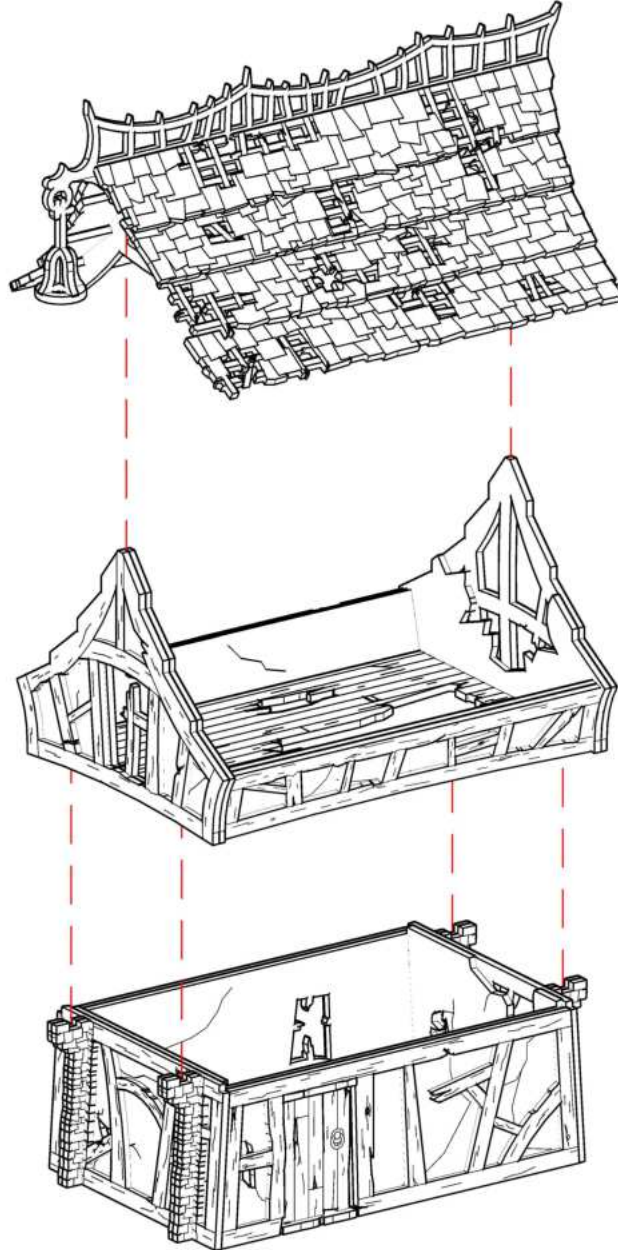




WARCRADLE<sup>TM</sup>  
SCENICS

## Gloomburg - Cottage - Assembly Guide

Parts may need careful removal from the MDF boards with a scalpel, and light sanding of any rough edges. We recommend testing assembling sections before permanently gluing together.



NOTE: DO NOT GLUE.



WARCRADLE<sup>TM</sup>  
STUDIOS

WARCRADLE STUDIOS IS A TRADING NAME OF WAYLAND GAMES LIMITED.  
ILLUSTRATIONS AND DESIGNS ARE COPYRIGHT © 2019 WAYLAND GAMES LIMITED. ASSEMBLED IN THE UK.