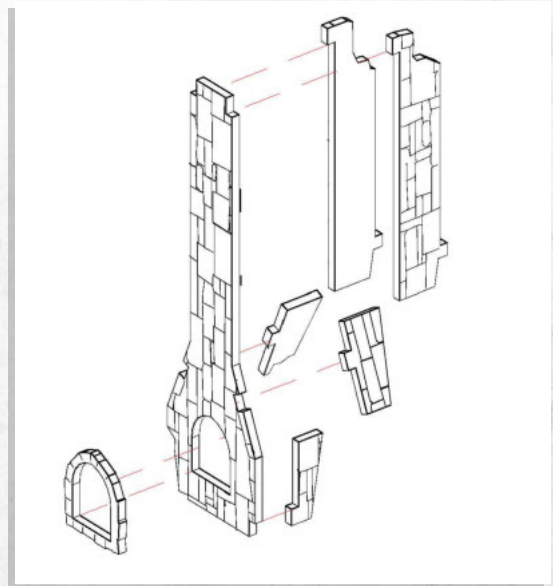
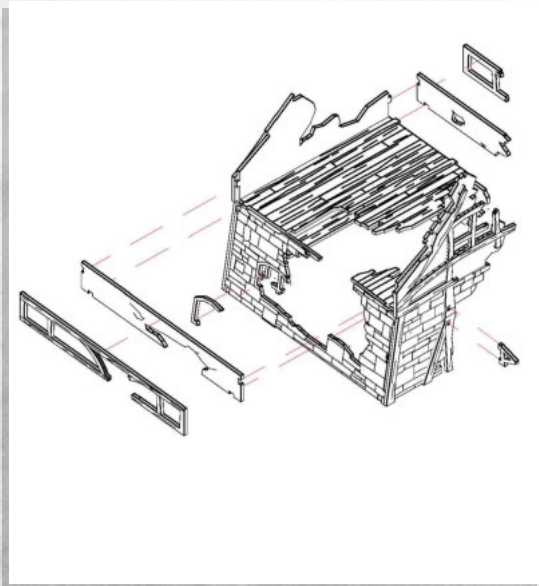
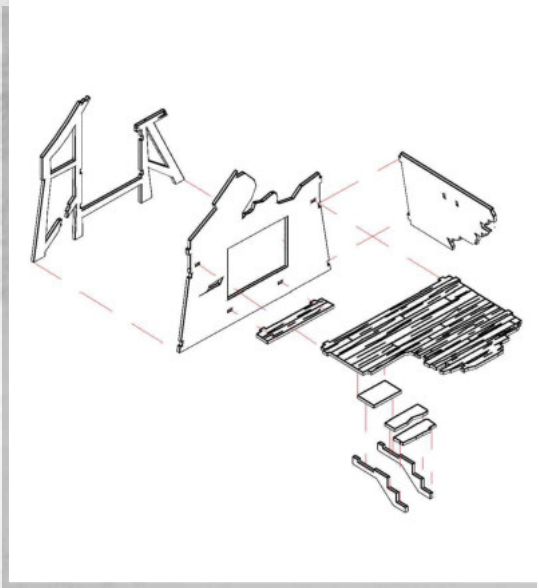




WARCRADLE<sup>TM</sup>  
SCENICS

## Gloomburg - Ruined Blacksmiths - Assembly Guide

Parts may need careful removal from the MDF boards with a scalpel, and light sanding of any rough edges. We recommend testing assembling sections before permanently gluing together.

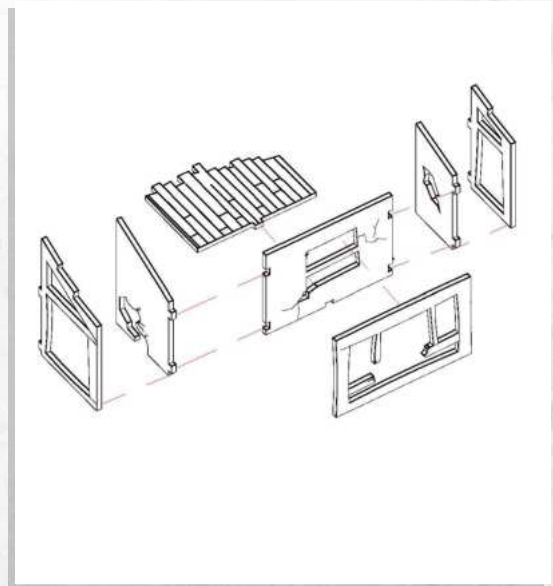
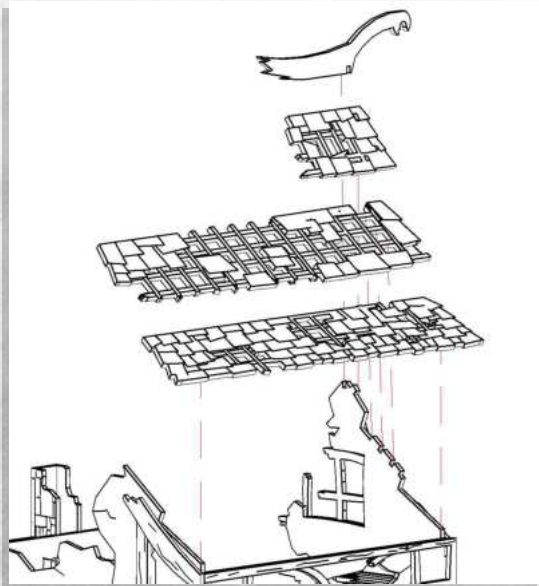
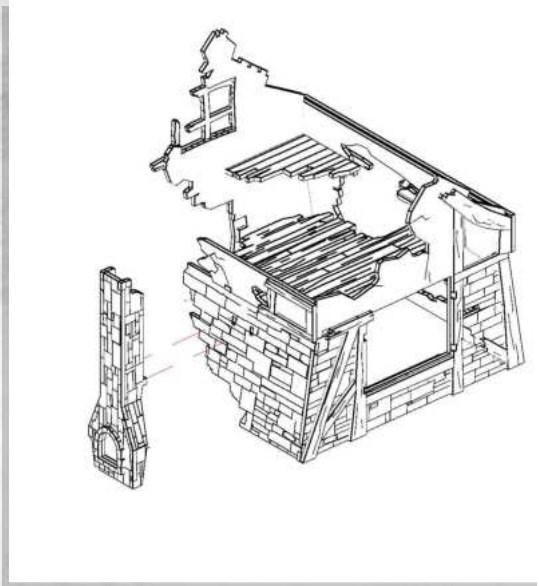




WARCRADLE<sup>TM</sup>  
SCENICS

## Gloomburg - Ruined Blacksmiths - Assembly Guide

Parts may need careful removal from the MDF boards with a scalpel, and light sanding of any rough edges. We recommend testing assembling sections before permanently gluing together.

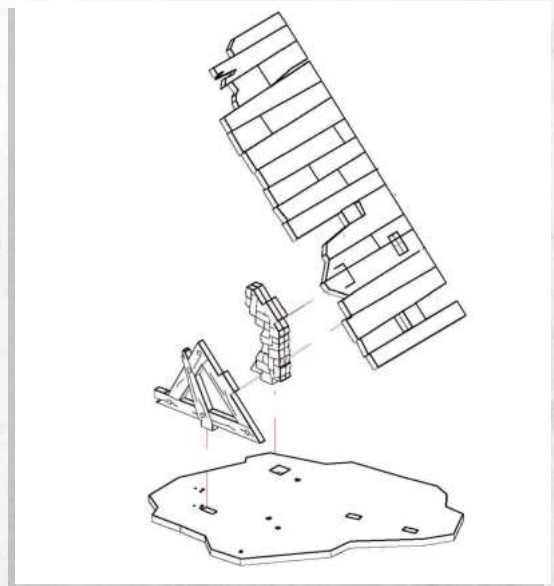
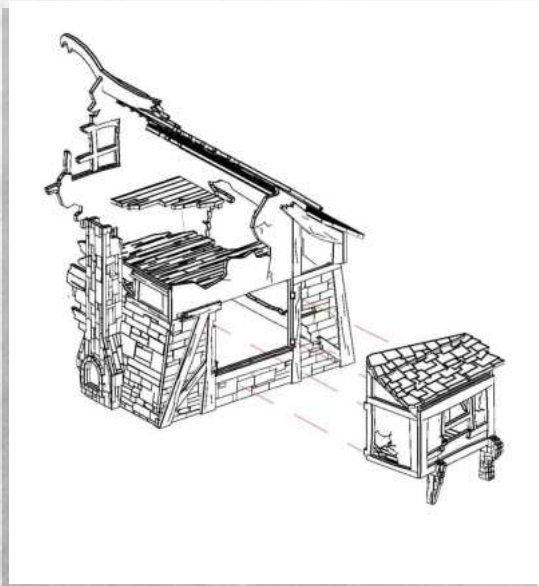
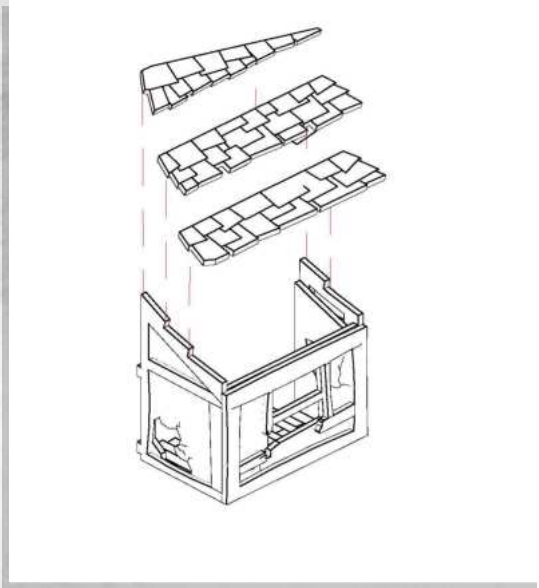






## Gloomburg - Ruined Blacksmiths - Assembly Guide

Parts may need careful removal from the MDF boards with a scalpel, and light sanding of any rough edges. We recommend testing assembling sections before permanently gluing together.

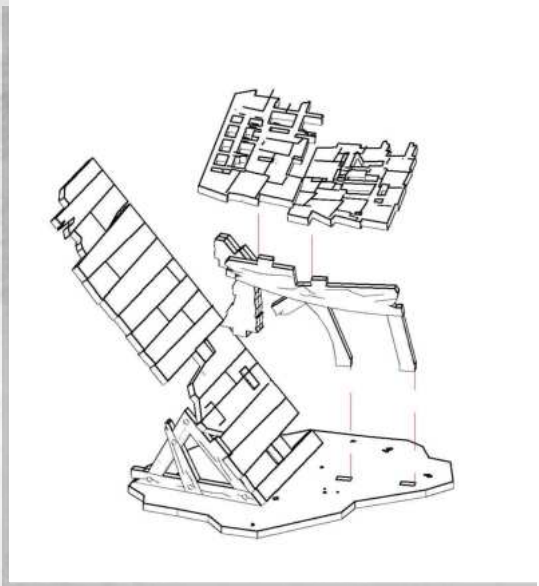




WARCRADLE<sup>TM</sup>  
SCENICS

## Gloomburg - Ruined Blacksmiths - Assembly Guide

Parts may need careful removal from the MDF boards with a scalpel, and light sanding of any rough edges. We recommend testing assembling sections before permanently gluing together.



NOTE: Glue is not needed to place these pieces

