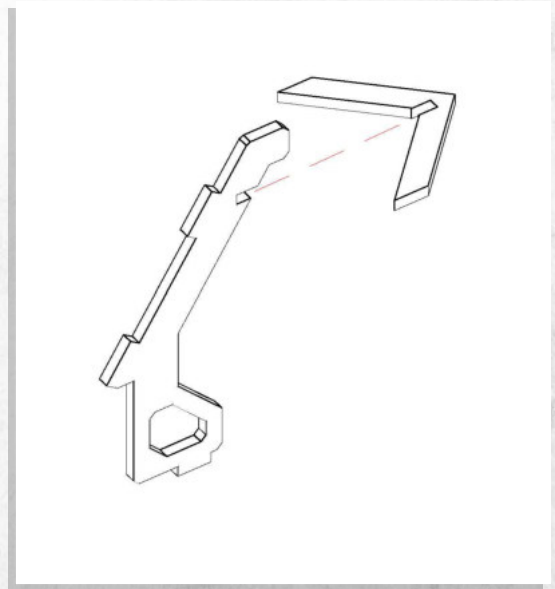
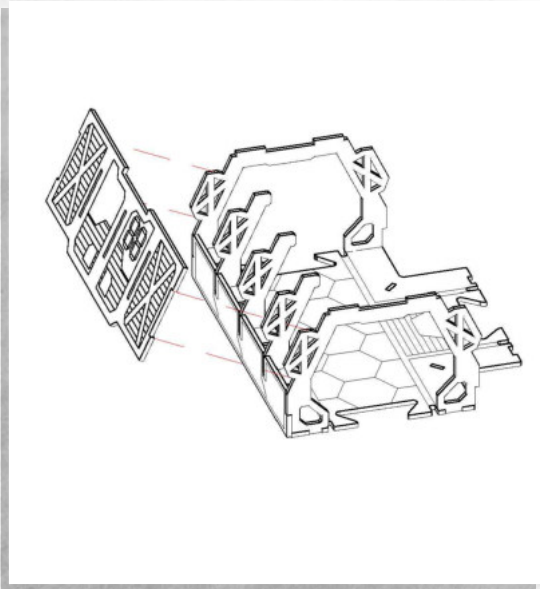
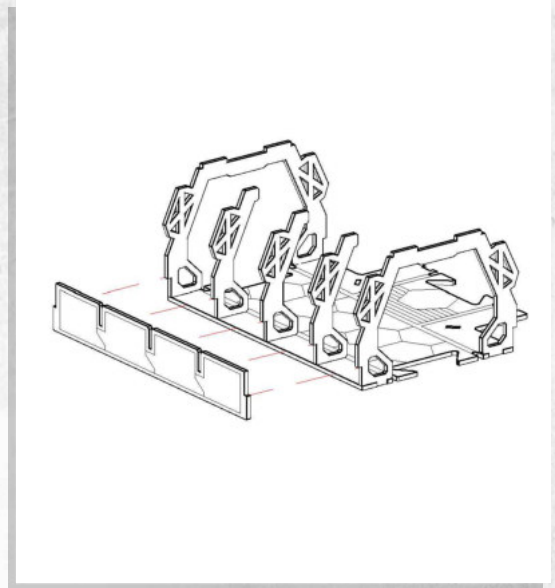
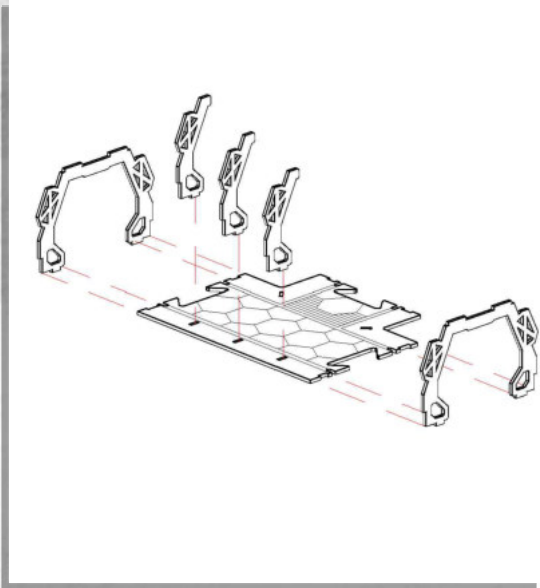




WARCRADLETM
SCENICS

Out Post Attica - Junction - Assembly Guide

Parts may need careful removal from the MDF boards with a scalpel, and light sanding of any rough edges. We recommend testing assembling sections before permanently gluing together.



NOTE: Repeat twice



WARCRADLETM
STUDIOS

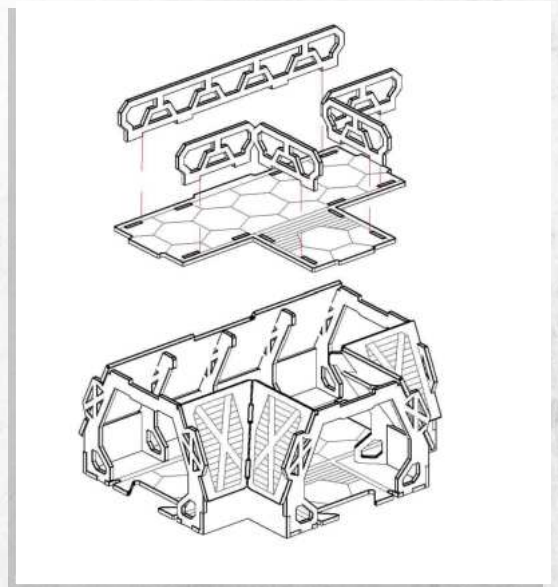
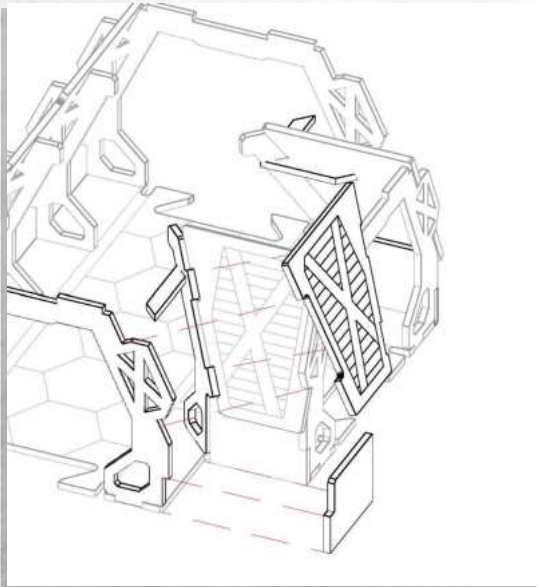
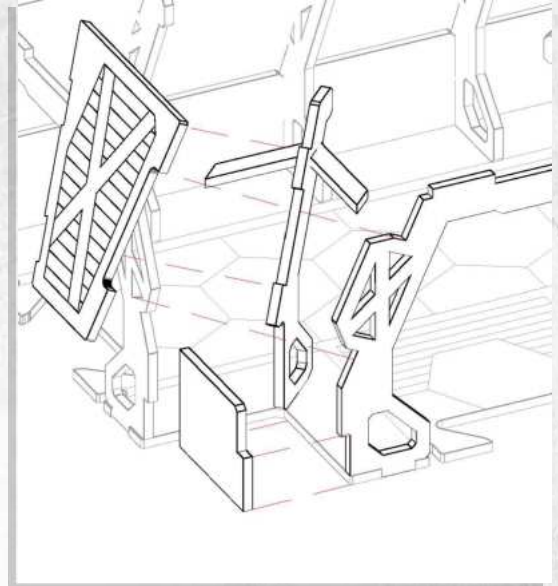
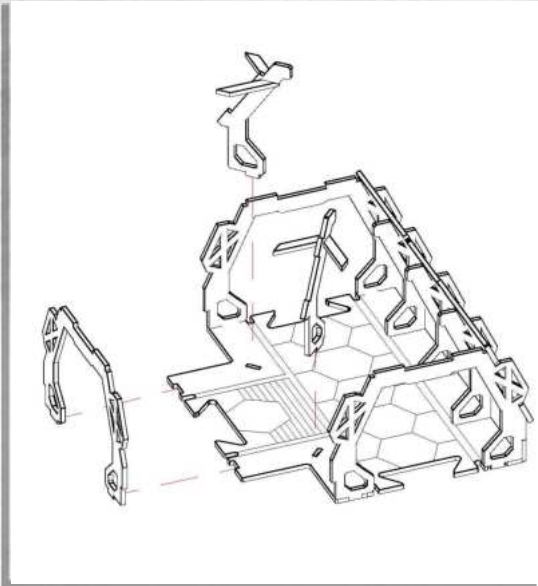
WARCRADLE STUDIOS IS A TRADING NAME OF WAYLAND GAMES LIMITED.

ILLUSTRATIONS AND DESIGNS ARE COPYRIGHT © 2019 WAYLAND GAMES LIMITED. ASSEMBLED IN THE UK.



Out Post Attica - Junction - Assembly Guide

Parts may need careful removal from the MDF boards with a scalpel, and light sanding of any rough edges. We recommend testing assembling sections before permanently gluing together.



NOTE: Do not use glue when stacking these pieces

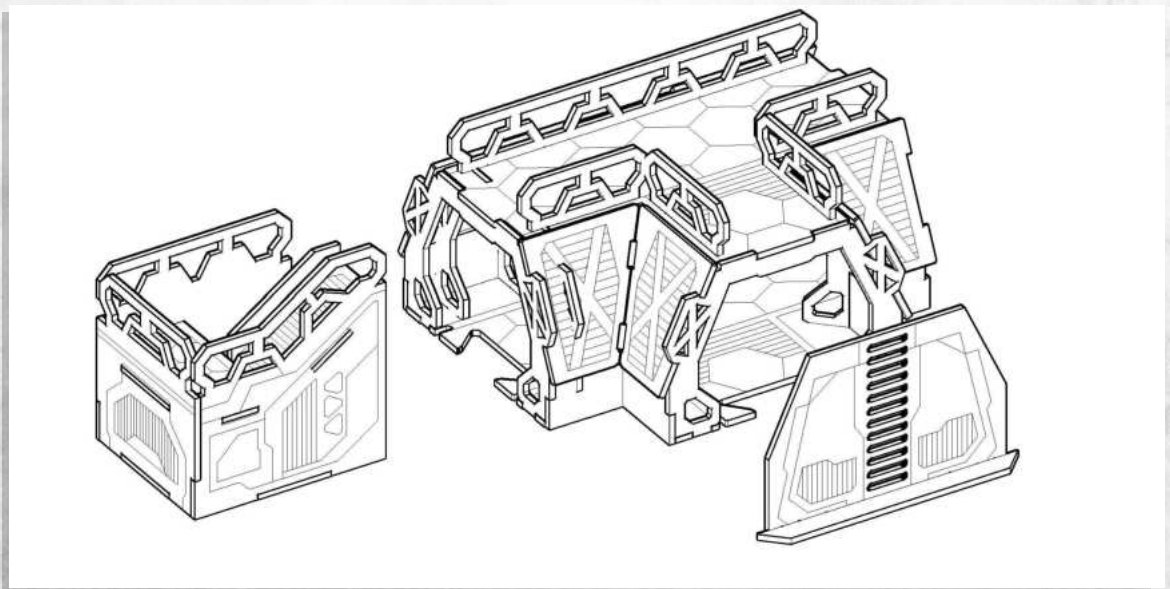
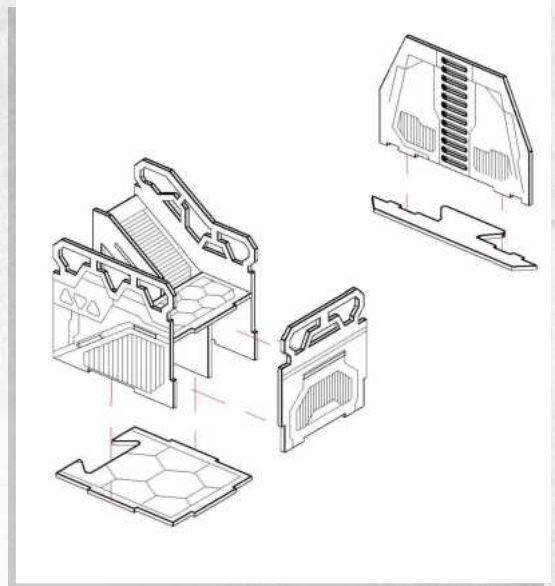
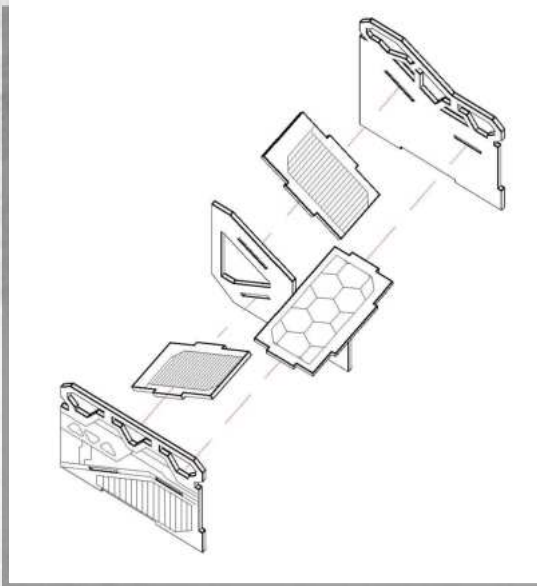




WARCRADLETM
SCENICS

Out Post Attica - Junction - Assembly Guide

Parts may need careful removal from the MDF boards with a scalpel, and light sanding of any rough edges. We recommend testing assembling sections before permanently gluing together.



NOTE: Doors and stairs can be added to any doorway. Do not use glue when joining them



WARCRADLETM
STUDIOS

WARCRADLE STUDIOS IS A TRADING NAME OF WAYLAND GAMES LIMITED.
ILLUSTRATIONS AND DESIGNS ARE COPYRIGHT © 2019 WAYLAND GAMES LIMITED. ASSEMBLED IN THE UK.