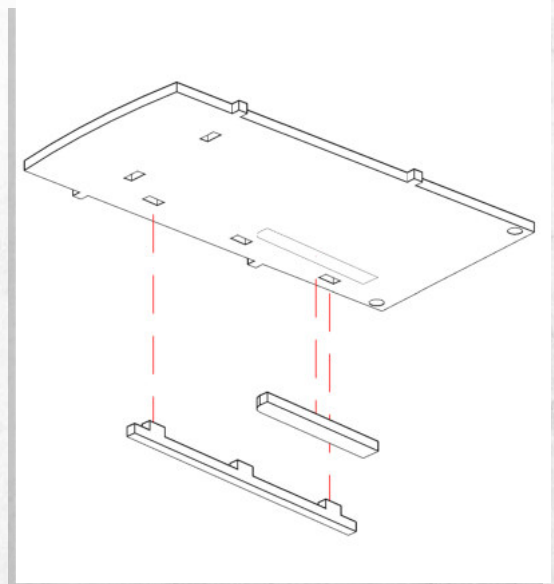
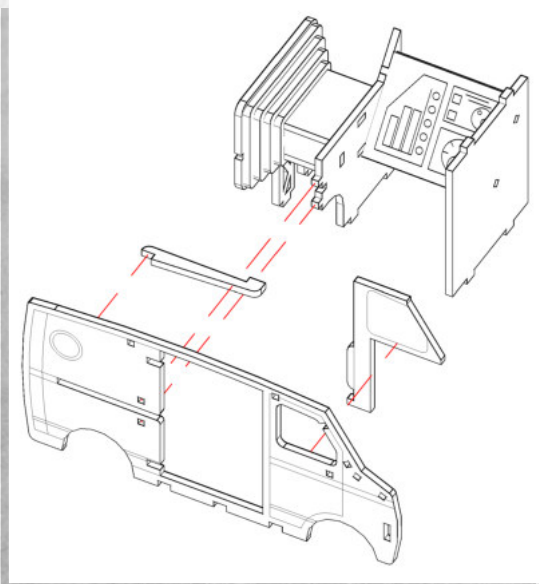
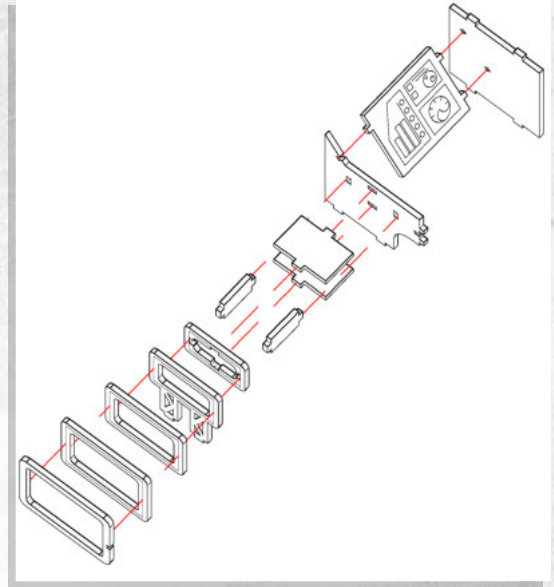
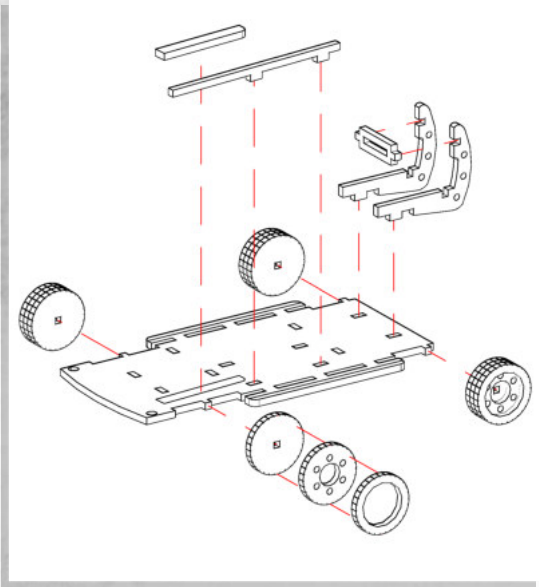




Super City - Quantum Van - Assembly Guide

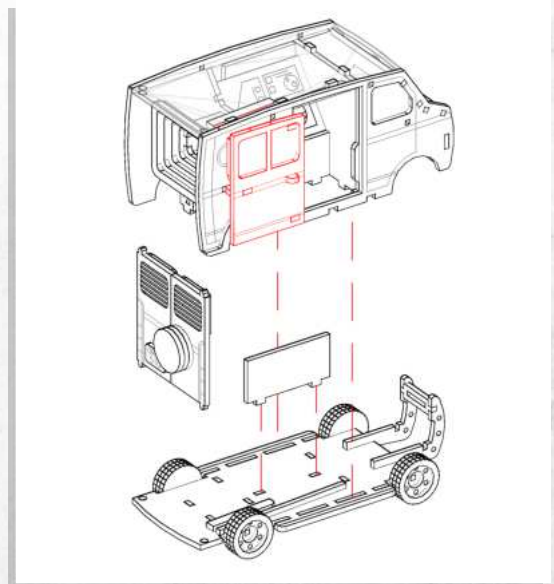
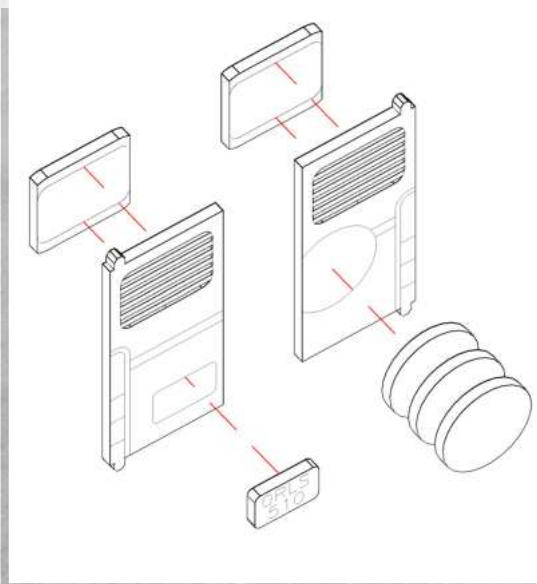
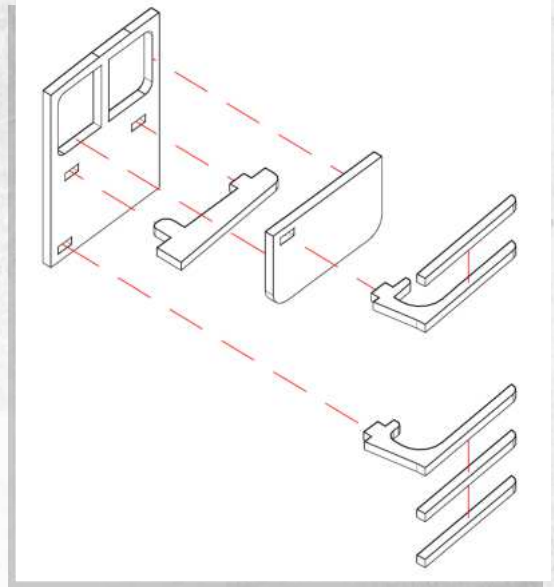
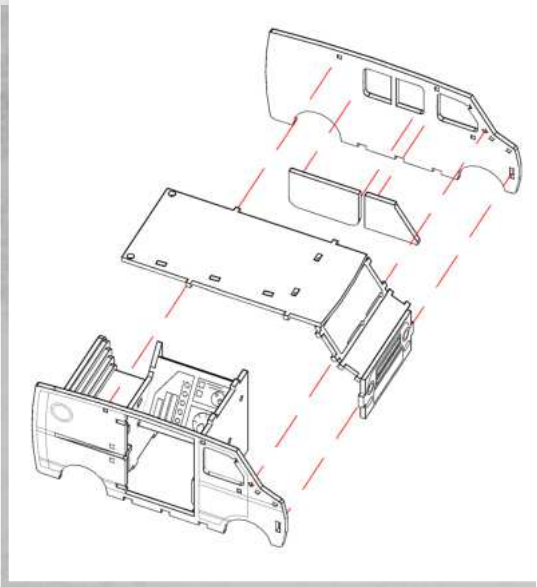
Parts may need careful removal from the MDF boards with a scalpel, and light sanding of any rough edges. We recommend testing assembling sections before permanently gluing together.





Super City - Quantum Van - Assembly Guide

Parts may need careful removal from the MDF boards with a scalpel, and light sanding of any rough edges. We recommend testing assembling sections before permanently gluing together.



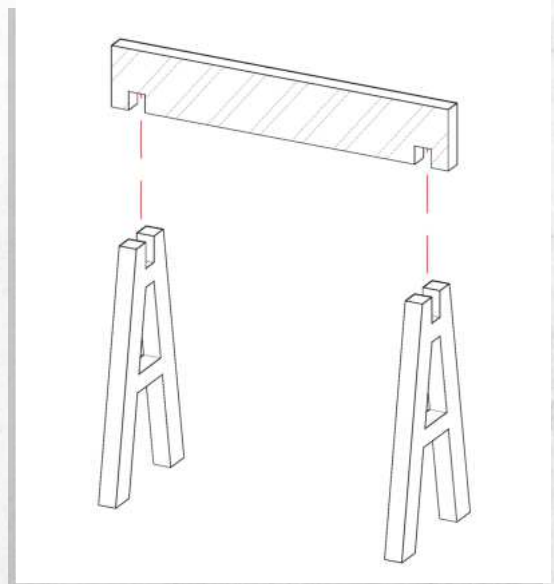
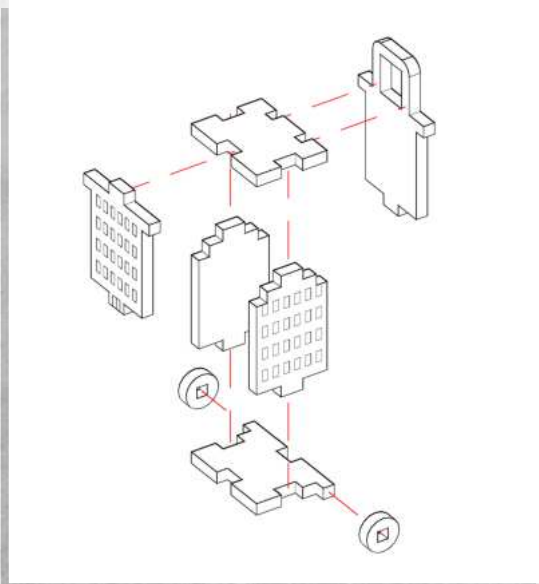
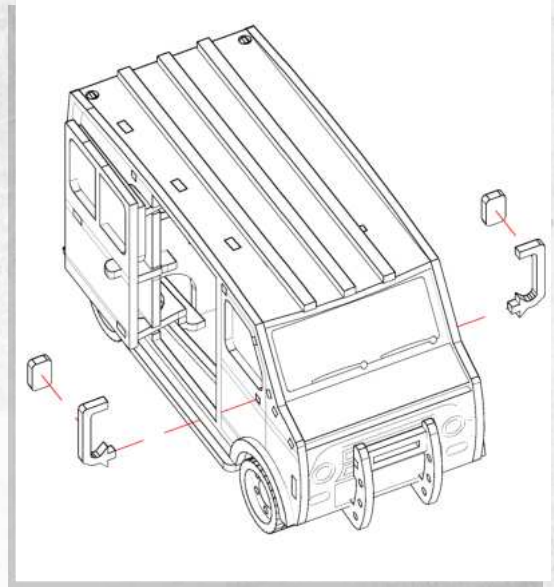
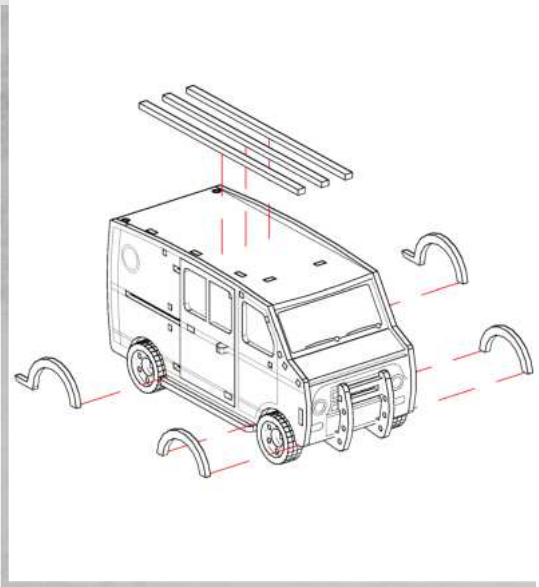
NOTE: Slide in the doors without gluing. Ensure the side door is aligned with the roof sliders.





Super City - Quantum Van - Assembly Guide

Parts may need careful removal from the MDF boards with a scalpel, and light sanding of any rough edges. We recommend testing assembling sections before permanently gluing together.

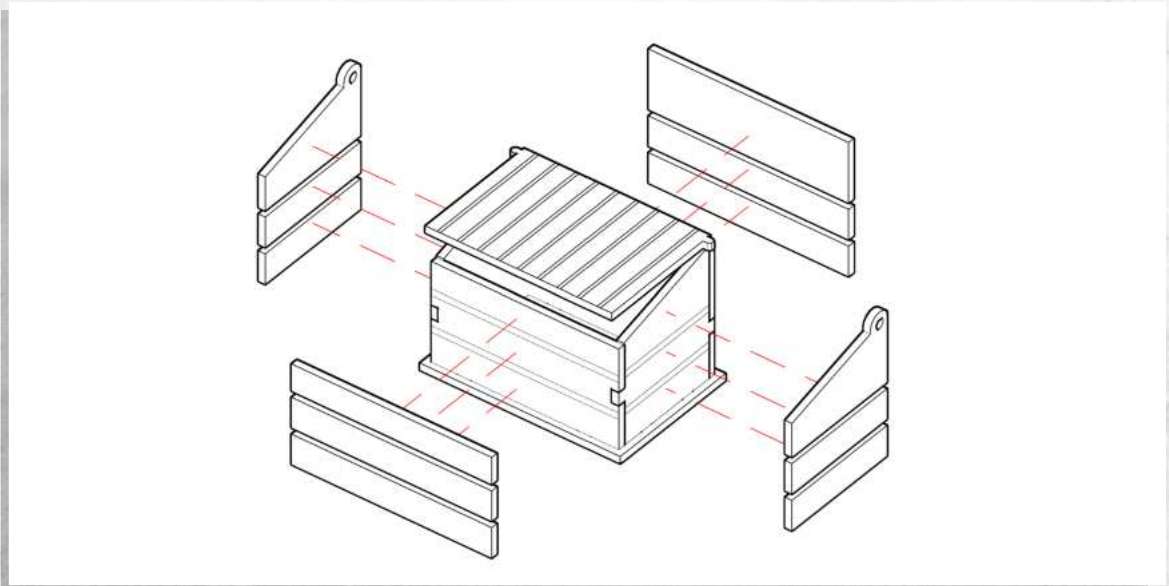
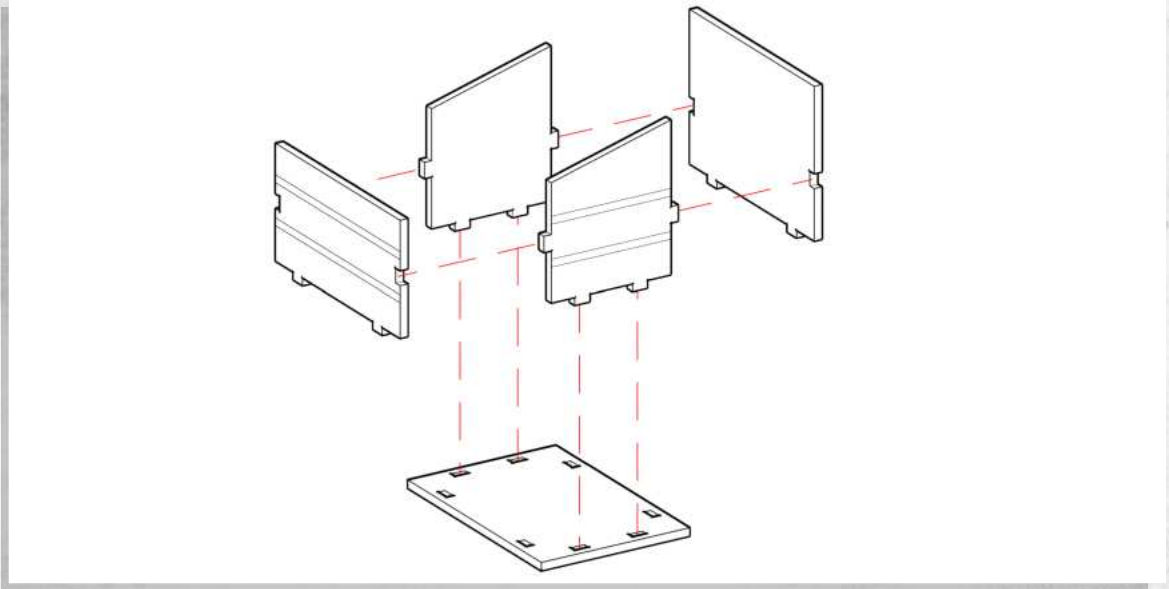


NOTE: Repeat for all barriers.



Super City - Quantum Van - Assembly Guide

Parts may need careful removal from the MDF boards with a scalpel, and light sanding of any rough edges. We recommend testing assembling sections before permanently gluing together.



NOTE: Align the lid with the side pieces, but do not glue.

