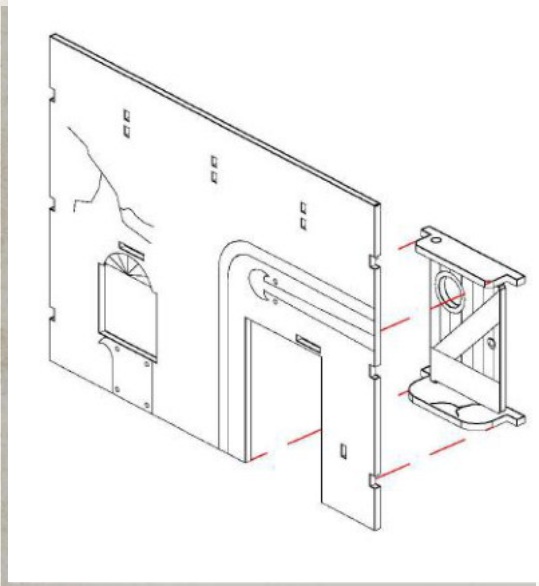


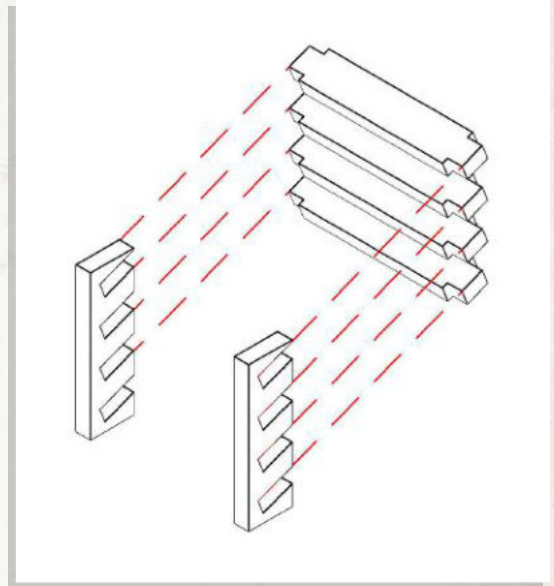


Rio Sonora - Dwelling - Assembly Guide

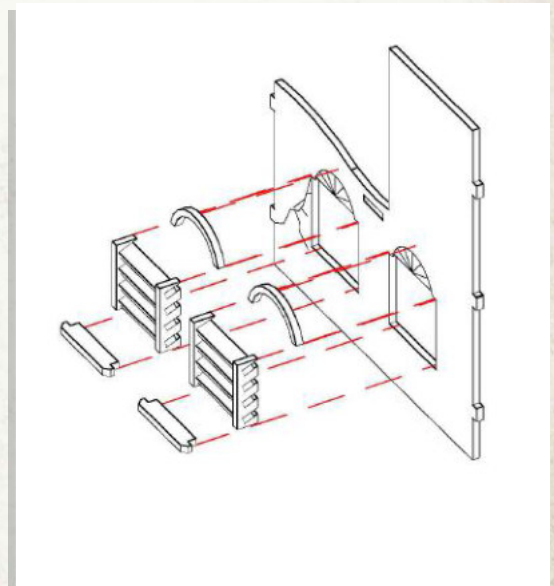
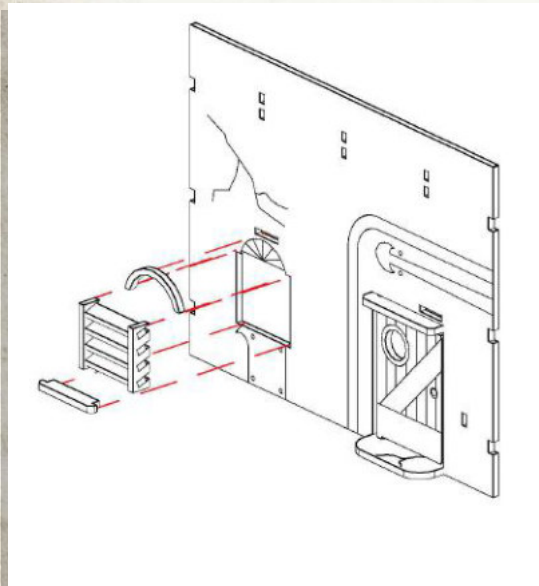
Parts may need careful removal from the MDF boards with a scalpel, and light sanding of any rough edges. We recommend testing assembling sections before permanently gluing together.



NOTE: Do not use glue on the door



NOTE: Repeat for all three window sets

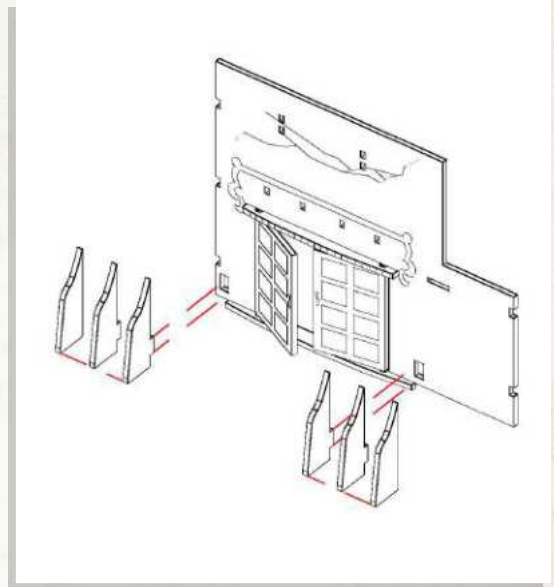
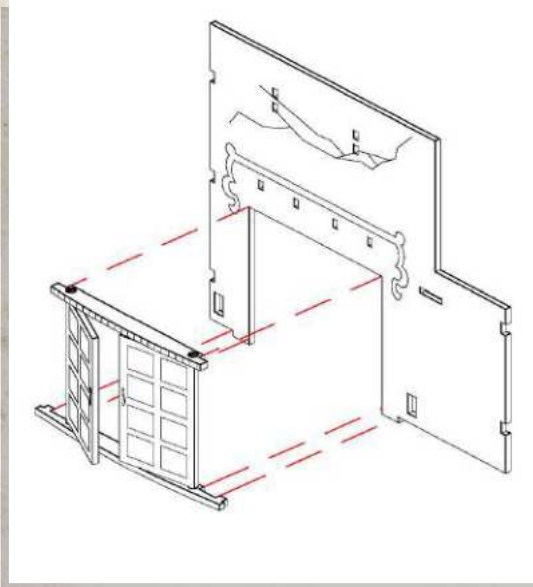




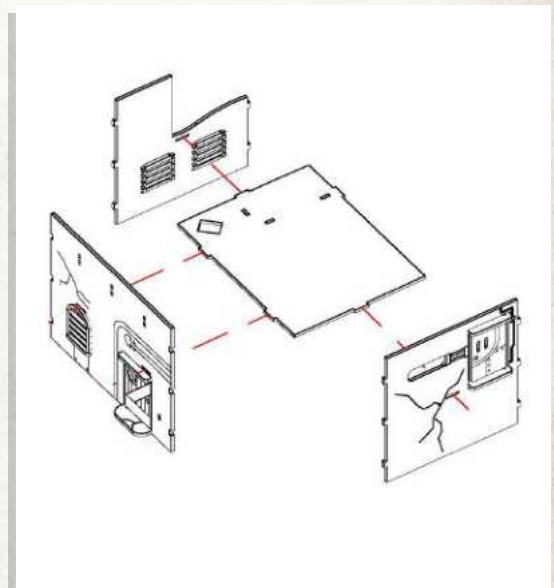
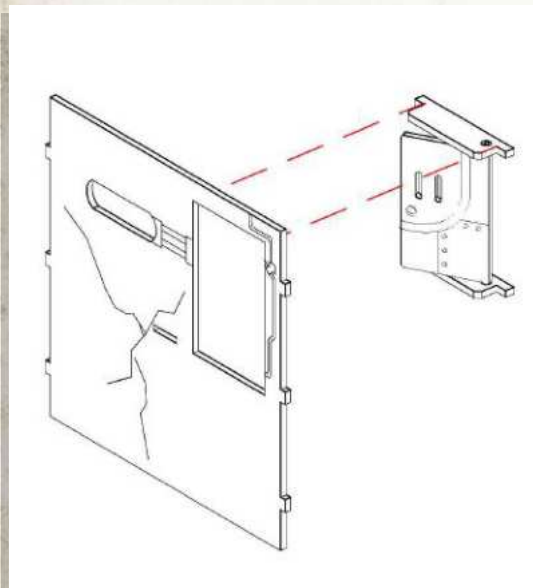
WARCRADLE SCENICS

Rio Sonora - Dwelling - Assembly Guide

Parts may need careful removal from the MDF boards with a scalpel, and light sanding of any rough edges. We recommend testing assembling sections before permanently gluing together.



NOTE: Do not use glue on the doors



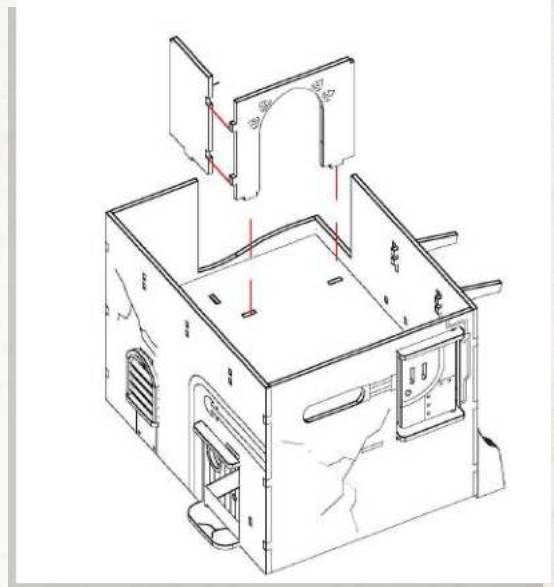
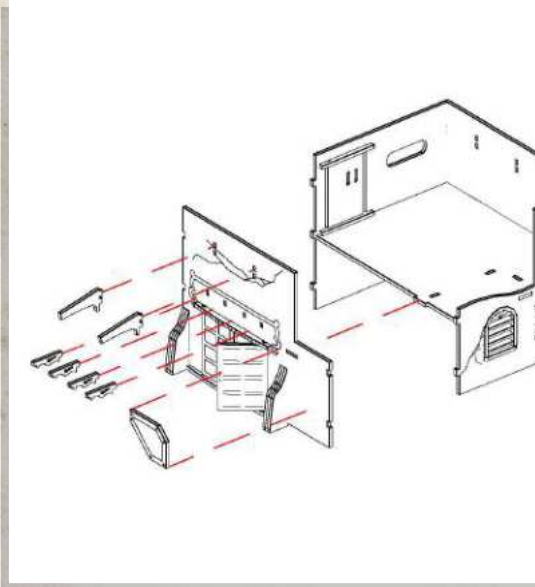
NOTE: Do not use glue on the door



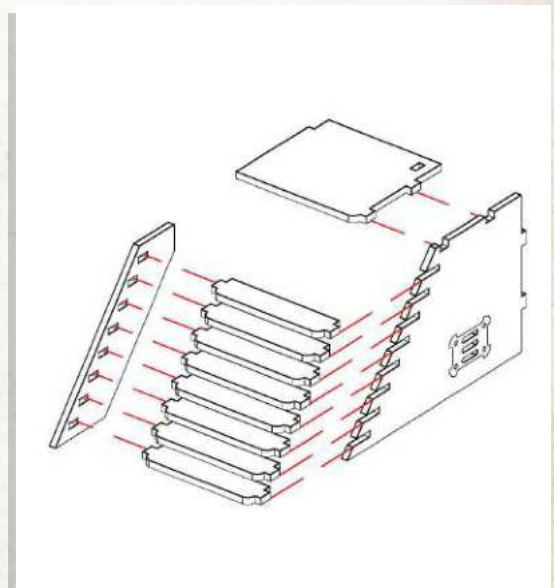
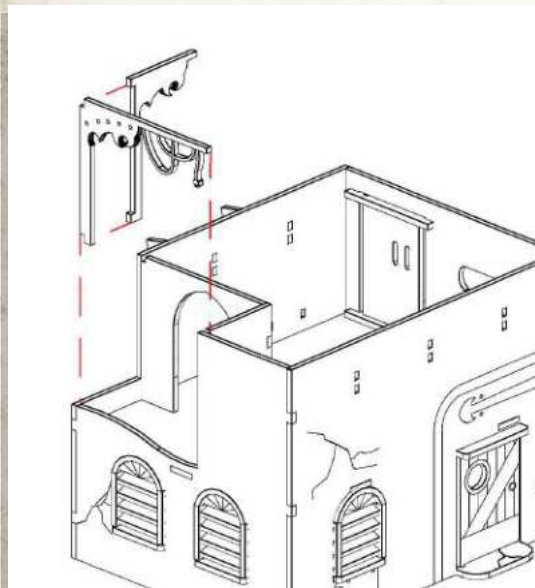
WARCRADLE SCENICS

Rio Sonora - Dwelling - Assembly Guide

Parts may need careful removal from the MDF boards with a scalpel, and light sanding of any rough edges. We recommend testing assembling sections before permanently gluing together.



NOTE: For access to the interior, do not use glue to connect the walls

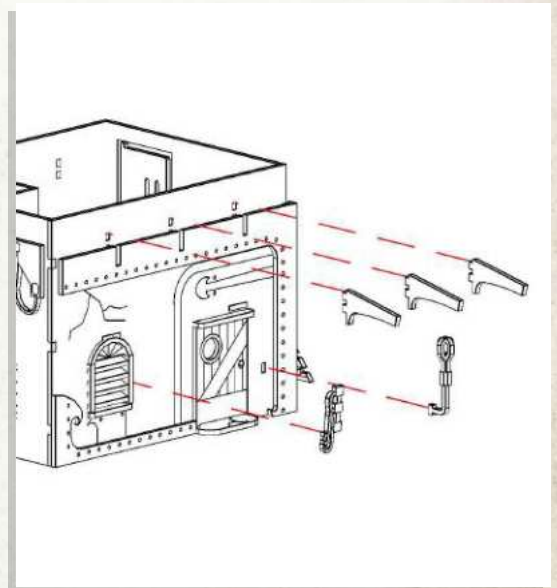
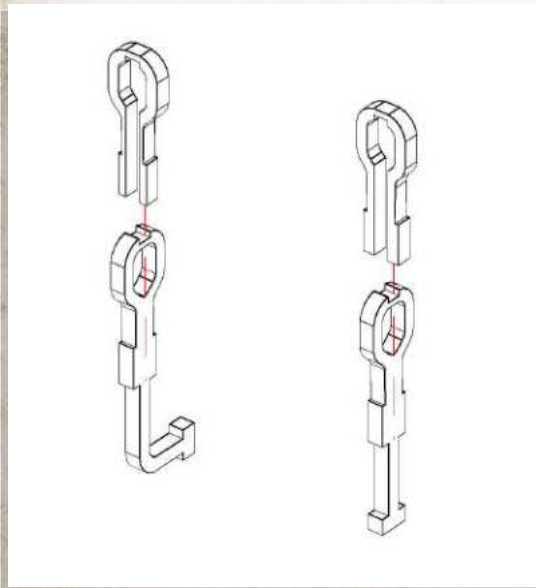
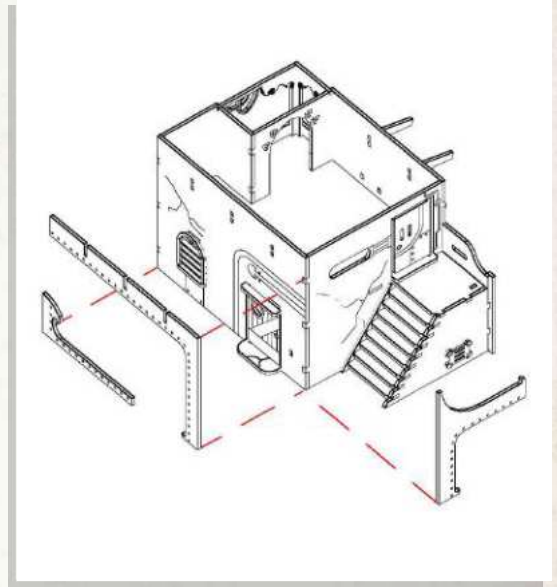
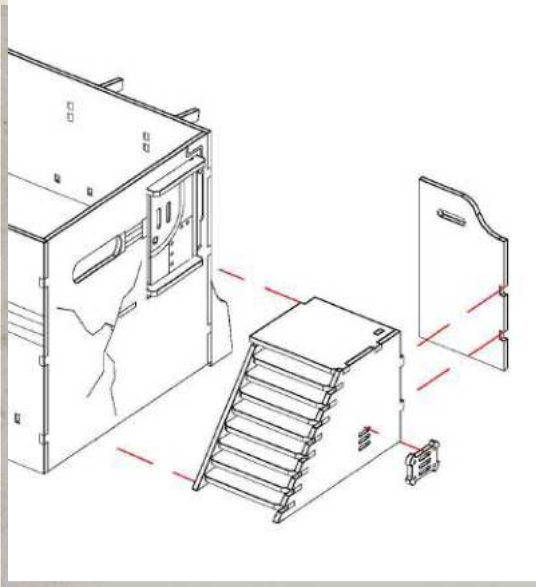




WARCRADLE SCENICS

Rio Sonora - Dwelling - Assembly Guide

Parts may need careful removal from the MDF boards with a scalpel, and light sanding of any rough edges. We recommend testing assembling sections before permanently gluing together.

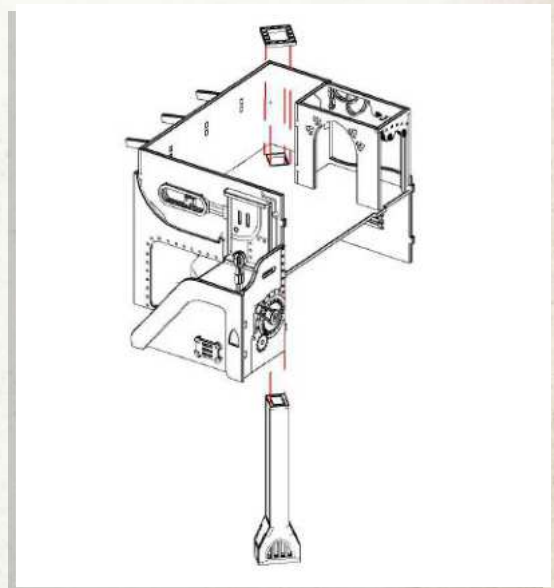
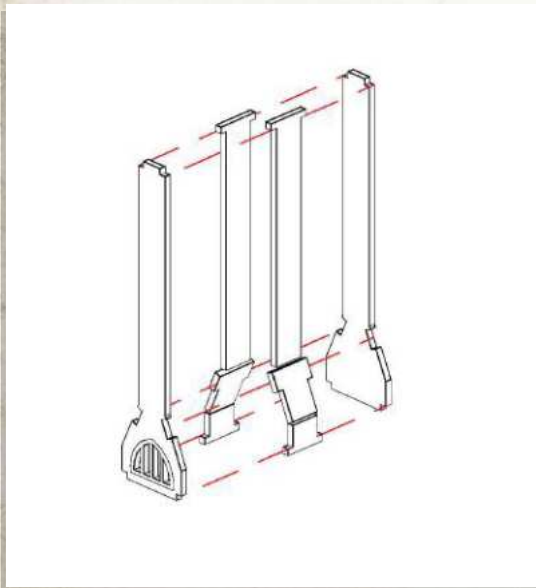
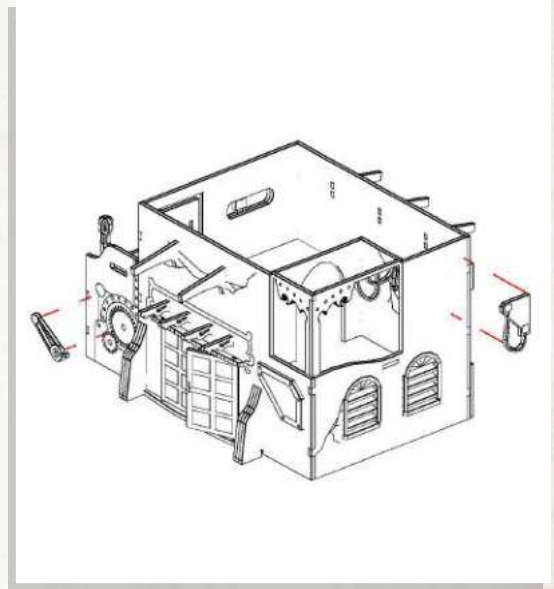
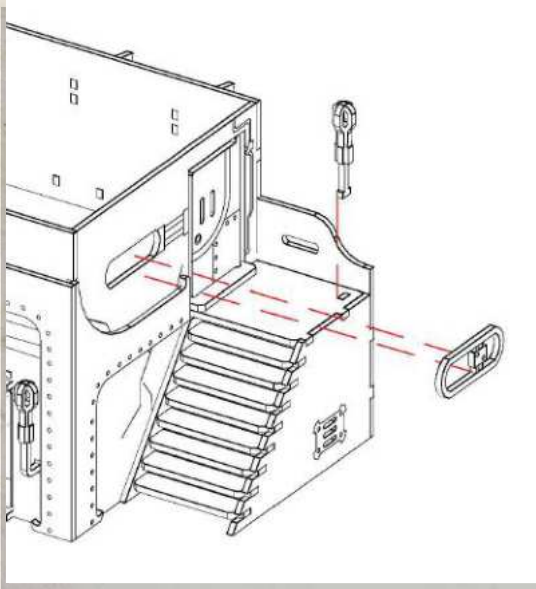




WARCRADLE SCENICS

Rio Sonora - Dwelling - Assembly Guide

Parts may need careful removal from the MDF boards with a scalpel, and light sanding of any rough edges. We recommend testing assembling sections before permanently gluing together.



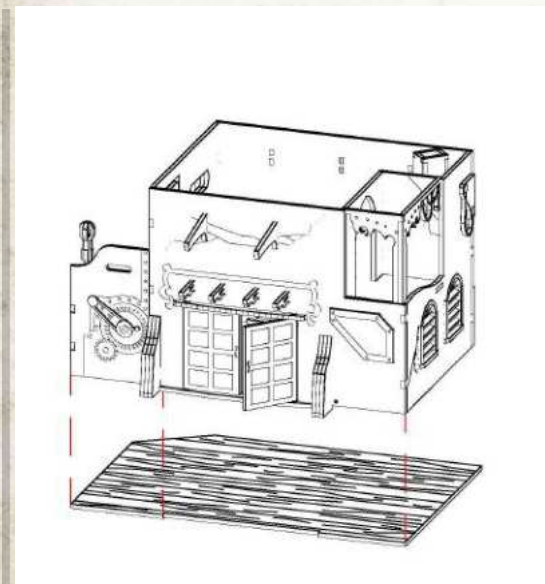
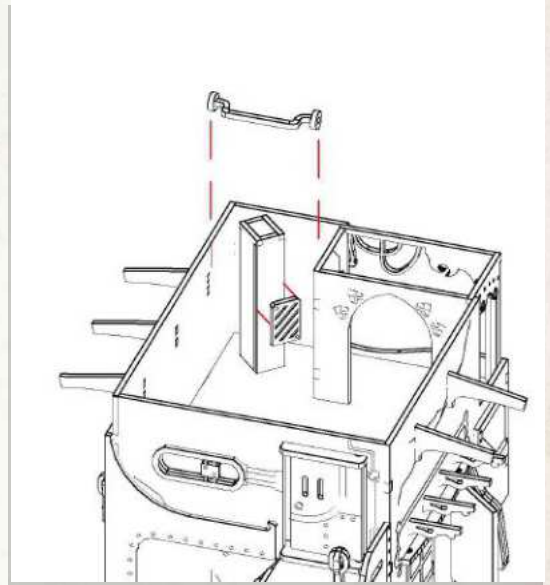
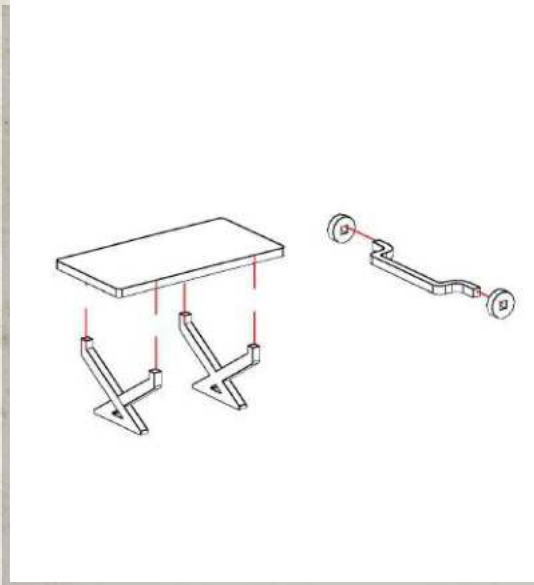
NOTE: Slot the chimney through the hole in the floor



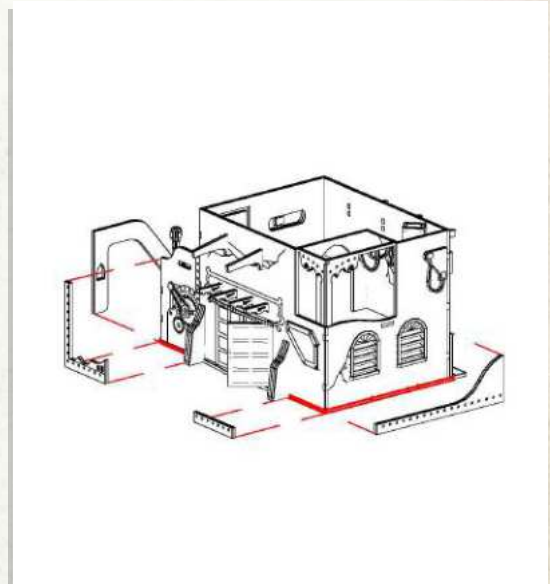
WARCRADLE SCENICS

Rio Sonora - Dwelling - Assembly Guide

Parts may need careful removal from the MDF boards with a scalpel, and light sanding of any rough edges. We recommend testing assembling sections before permanently gluing together.



NOTE: To keep access to the interior,
Do not glue the floor. keep the floor in
place to help with the next step



NOTE: Line up pieces with the bottom
edge but Do Not put glue where
highlighted red



WARCRADLE
STUDIOS™

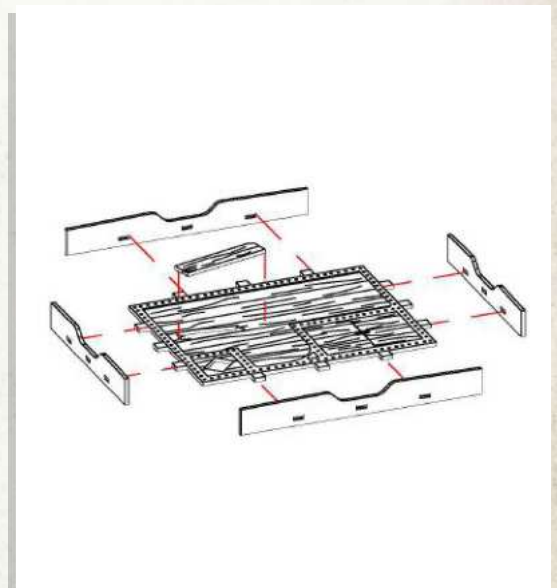
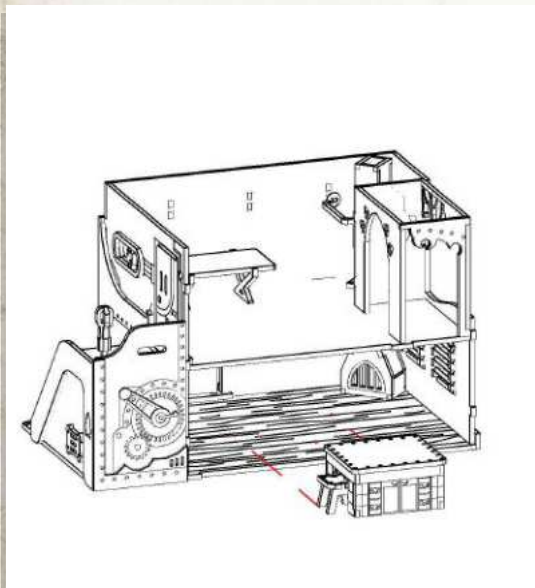
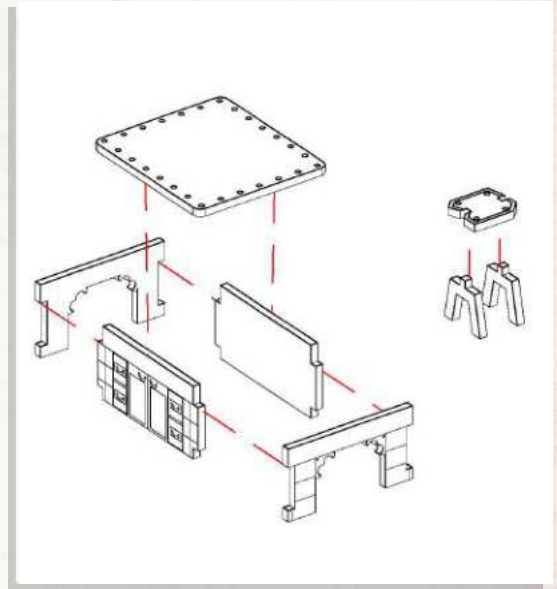
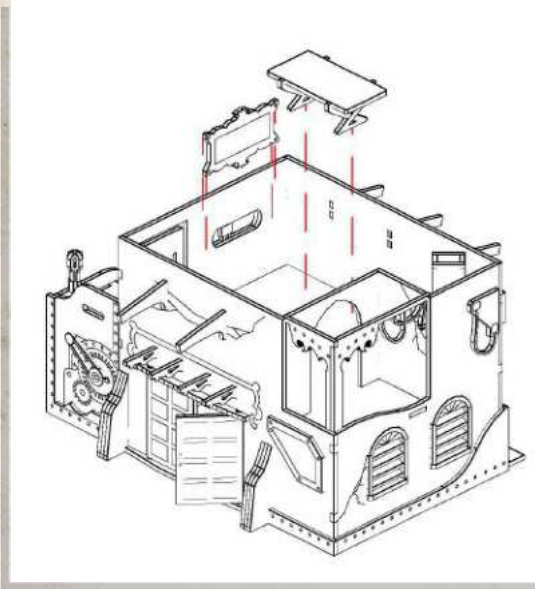
WARCRADLE STUDIOS IS A TRADING NAME OF WAYLAND GAMES LIMITED. WILD WEST EXODUS IS A TRADING NAME OF WAYLAND GAMES LIMITED. ILLUSTRATIONS AND DESIGNS ARE COPYRIGHT © 2020 WAYLAND GAMES LIMITED, ASSEMBLED IN THE UK.



WARCRADLE SCENICS

Rio Sonora - Dwelling - Assembly Guide

Parts may need careful removal from the MDF boards with a scalpel, and light sanding of any rough edges. We recommend testing assembling sections before permanently gluing together.



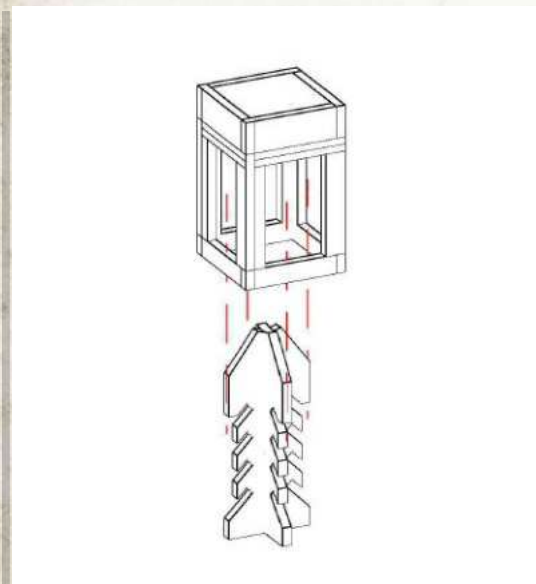
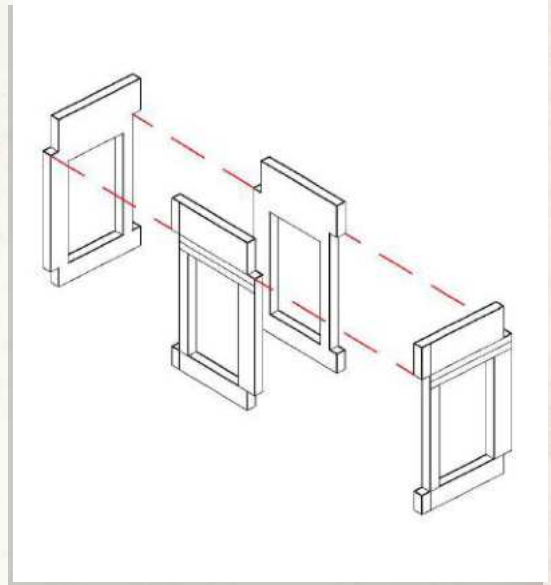
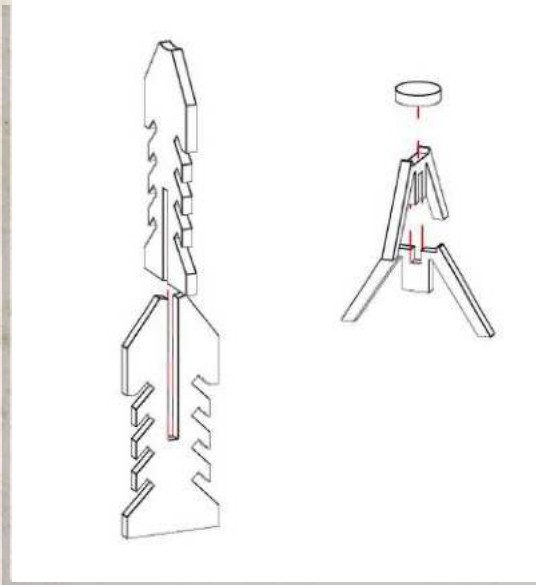
WARCRADLE
STUDIOS™

WARCRADLE STUDIOS IS A TRADING NAME OF WAYLAND GAMES LIMITED. WILD WEST EXODUS IS A TRADING NAME OF WAYLAND GAMES LIMITED. ILLUSTRATIONS AND DESIGNS ARE COPYRIGHT © 2020 WAYLAND GAMES LIMITED, ASSEMBLED IN THE UK.

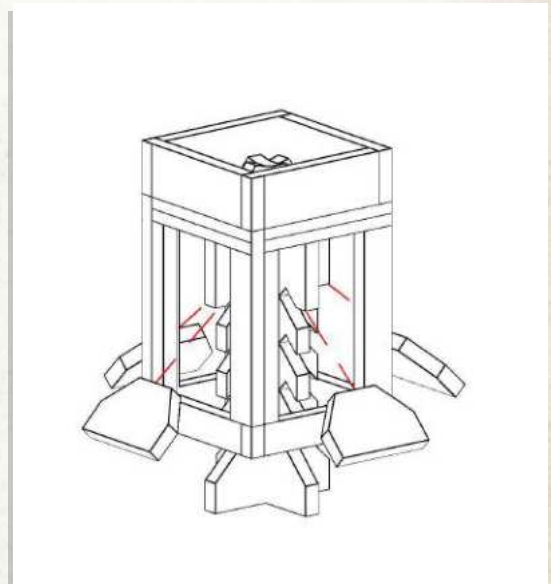


Rio Sonora - Dwelling - Assembly Guide

Parts may need careful removal from the MDF boards with a scalpel, and light sanding of any rough edges. We recommend testing assembling sections before permanently gluing together.



NOTE: Do not use glue and only slide the centre piece half-way into the frame



NOTE: Glue the four top slats in place and then slide the centre piece fully into the frame

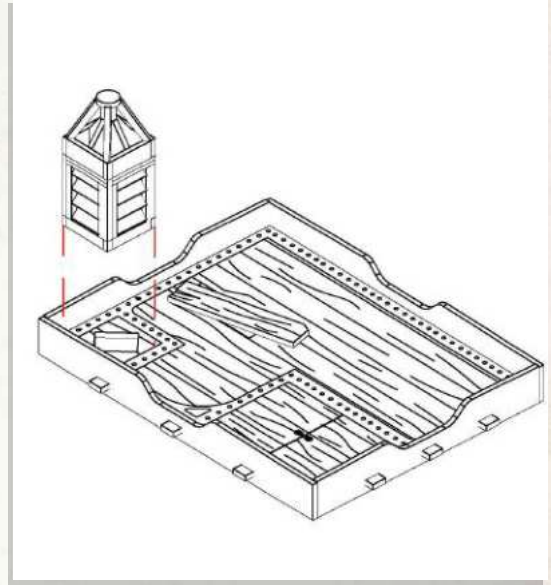
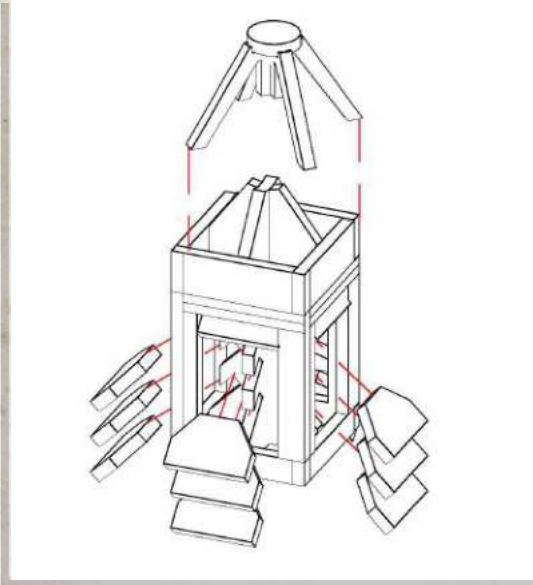




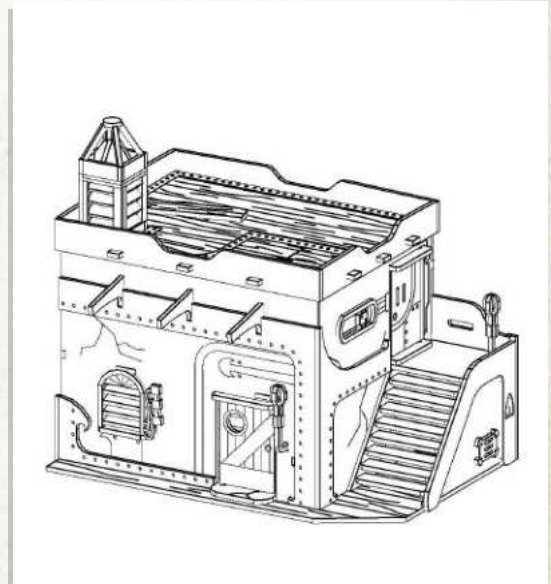
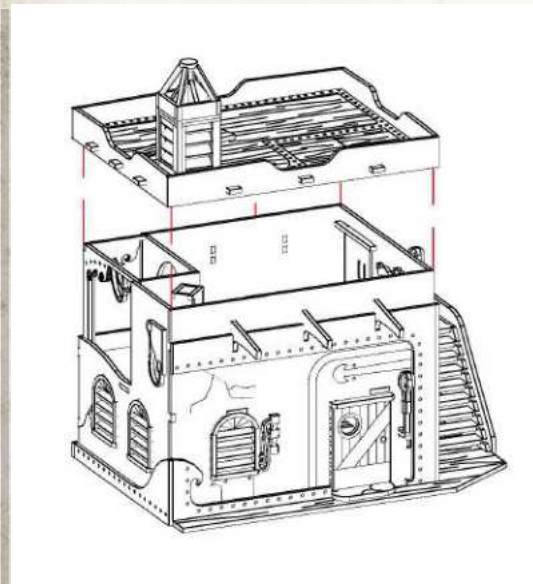
WARCRADLE SCENICS

Rio Sonora - Dwelling - Assembly Guide

Parts may need careful removal from the MDF boards with a scalpel, and light sanding of any rough edges. We recommend testing assembling sections before permanently gluing together.



NOTE: Glue the other twelve slats in place



NOTE: Do not use glue on the roof



WARCRADLE
STUDIOS

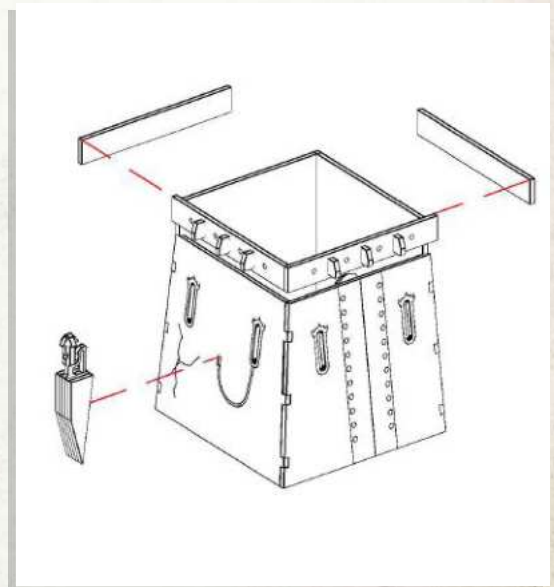
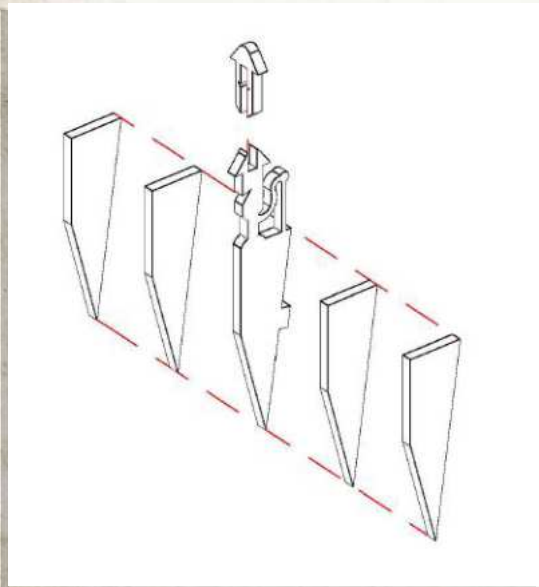
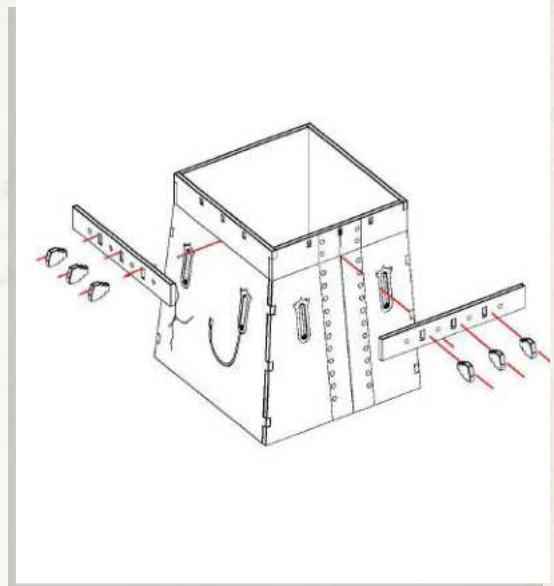
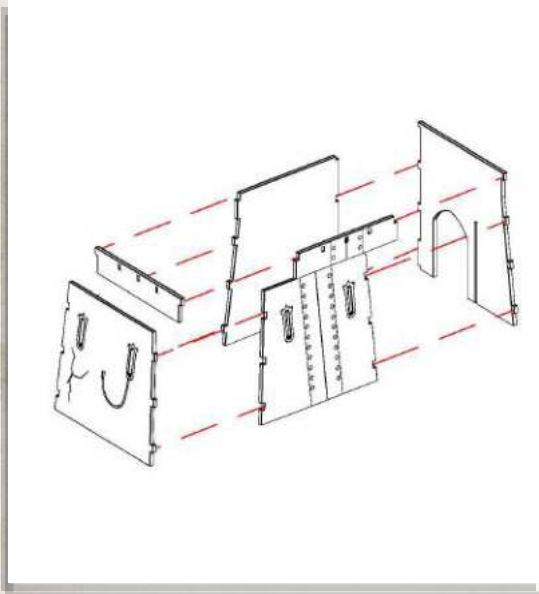
WARCRADLE STUDIOS IS A TRADING NAME OF WAYLAND GAMES LIMITED. WILD WEST EXODUS IS A TRADING NAME OF WAYLAND GAMES LIMITED. ILLUSTRATIONS AND DESIGNS ARE COPYRIGHT © 2020 WAYLAND GAMES LIMITED, ASSEMBLED IN THE UK.



WARCRADLE SCENICS

Rio Sonora - Domicile - Assembly Guide

Parts may need careful removal from the MDF boards with a scalpel, and light sanding of any rough edges. We recommend testing assembling sections before permanently gluing together.



WARCRADLE
STUDIOS™

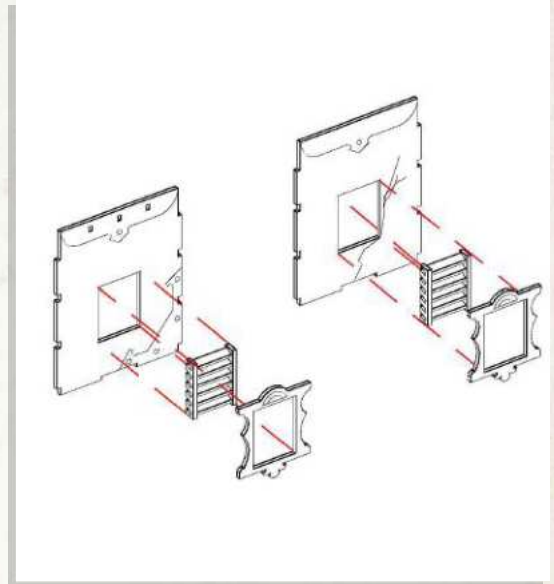
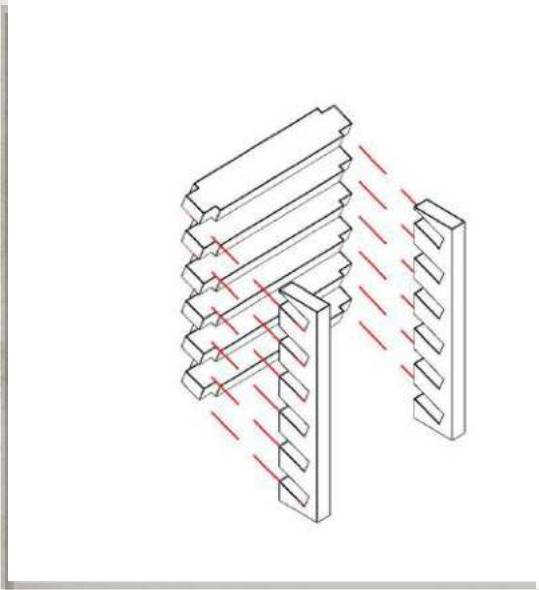
WARCRADLE STUDIOS IS A TRADING NAME OF WAYLAND GAMES LIMITED. WILD WEST EXODUS IS A TRADING NAME OF WAYLAND GAMES LIMITED. ILLUSTRATIONS AND DESIGNS ARE COPYRIGHT © 2020 WAYLAND GAMES LIMITED. ASSEMBLED IN THE UK.



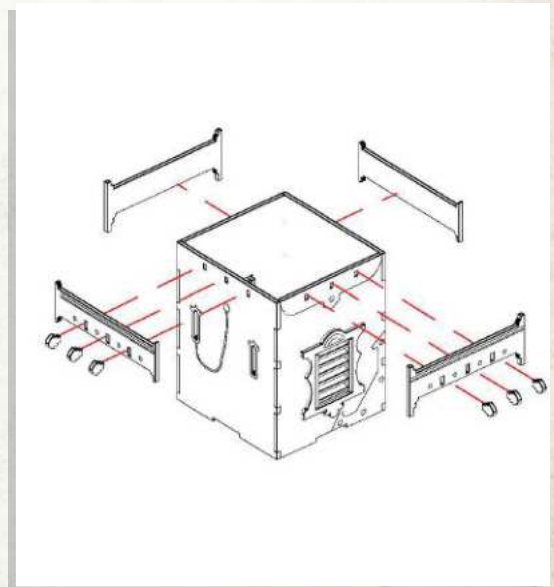
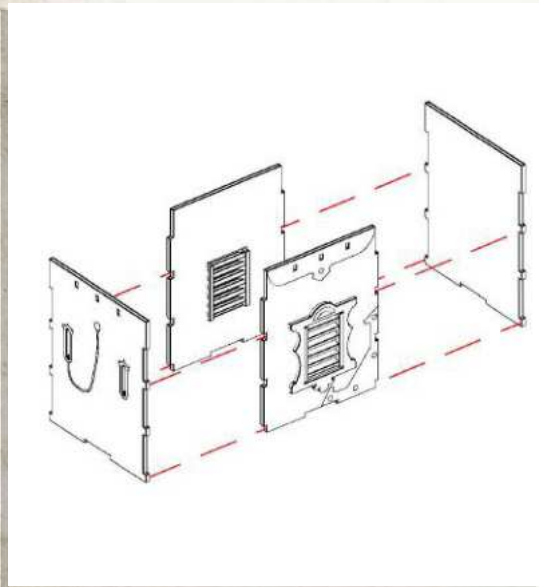
WARCRADLE SCENICS

Rio Sonora - Domicile - Assembly Guide

Parts may need careful removal from the MDF boards with a scalpel, and light sanding of any rough edges. We recommend testing assembling sections before permanently gluing together.



NOTE: Repeat for both sets

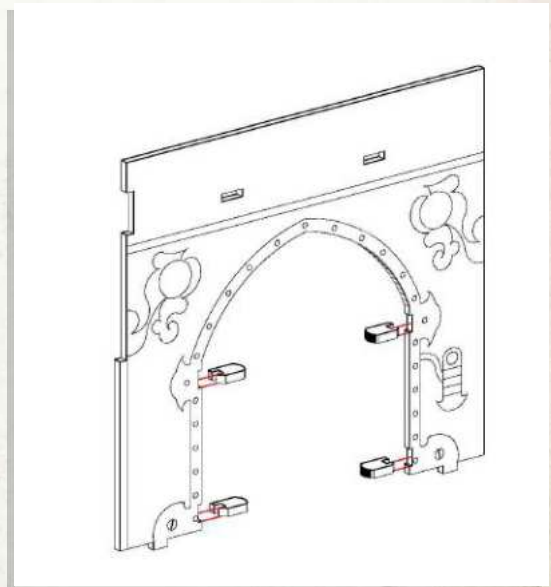
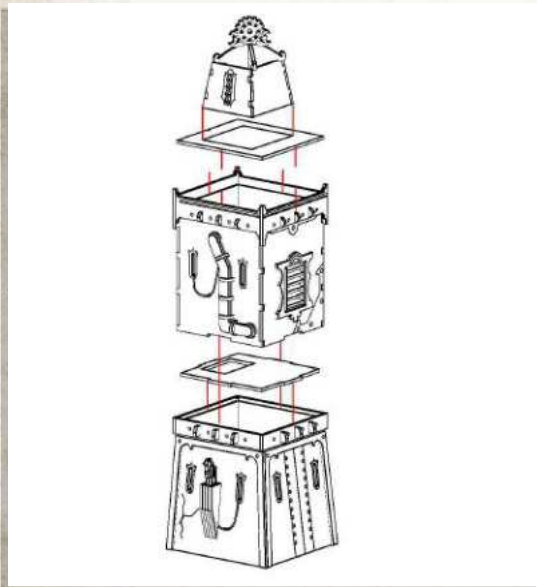
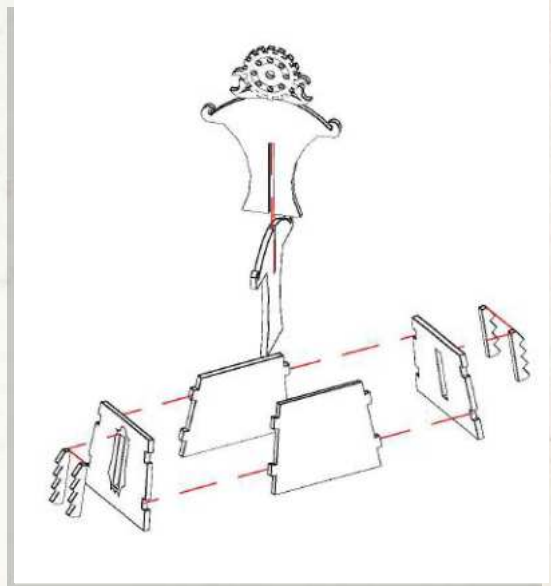
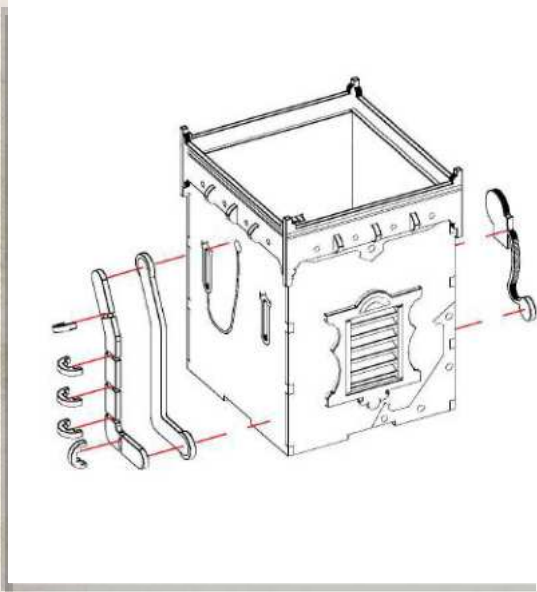




WARCRADLE SCENICS

Rio Sonora - Domicile - Assembly Guide

Parts may need careful removal from the MDF boards with a scalpel, and light sanding of any rough edges. We recommend testing assembling sections before permanently gluing together.

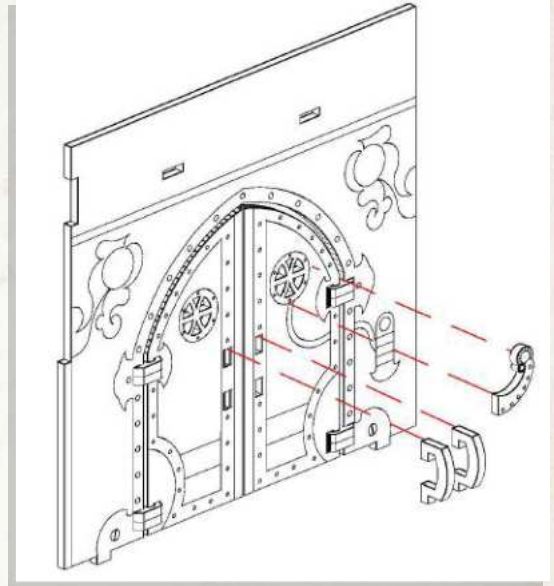
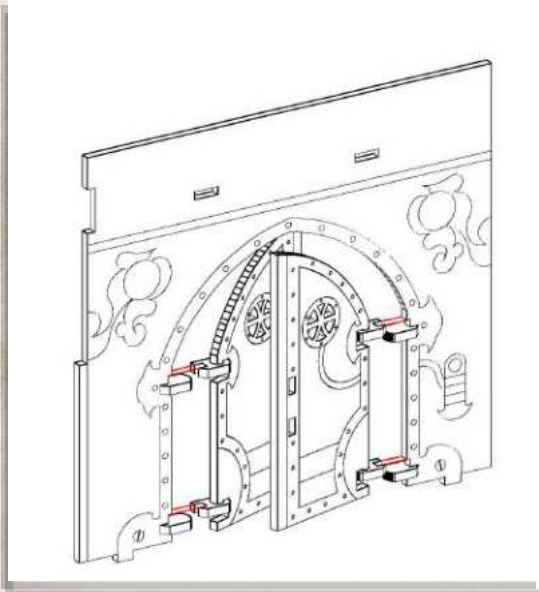




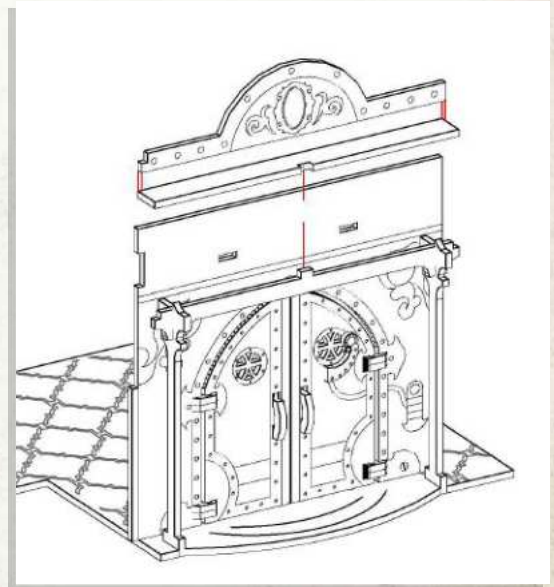
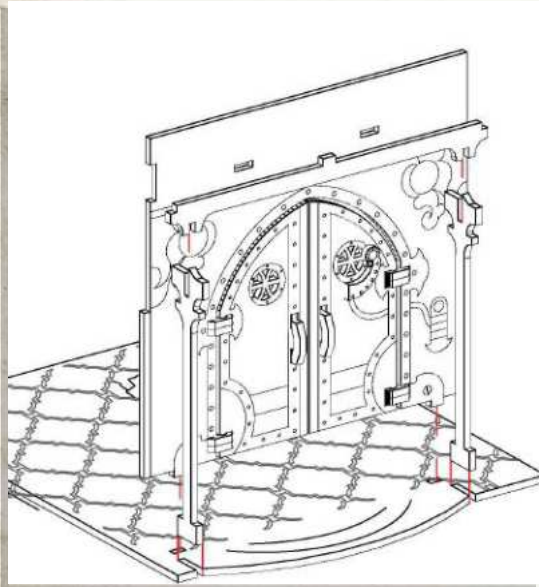
WARCRADLE SCENICS

Rio Sonora - Domicile - Assembly Guide

Parts may need careful removal from the MDF boards with a scalpel, and light sanding of any rough edges. We recommend testing assembling sections before permanently gluing together.



NOTE: Do not glue on the door

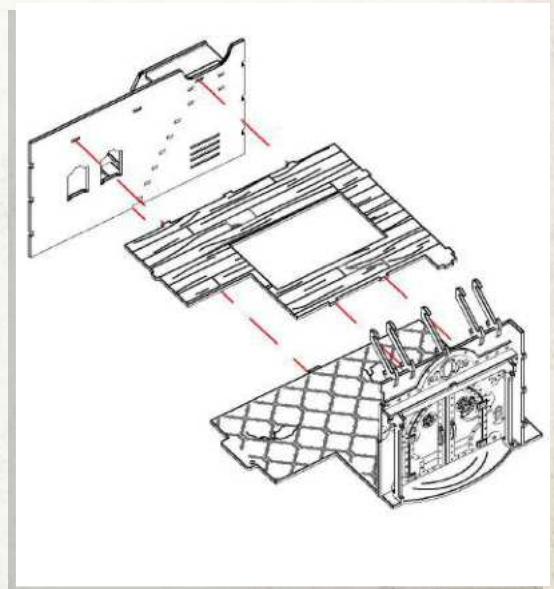
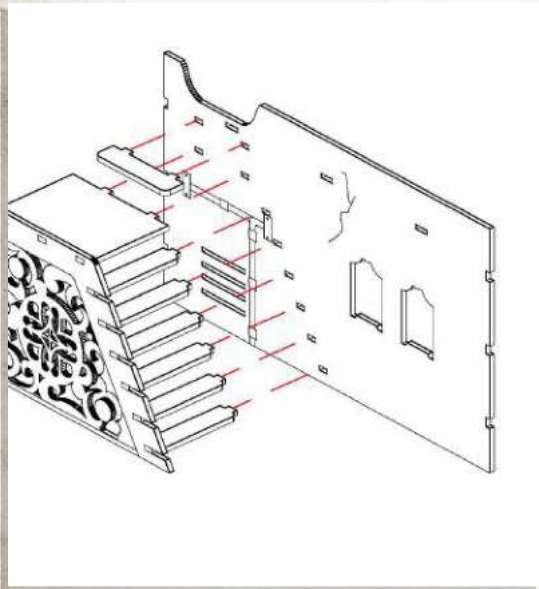
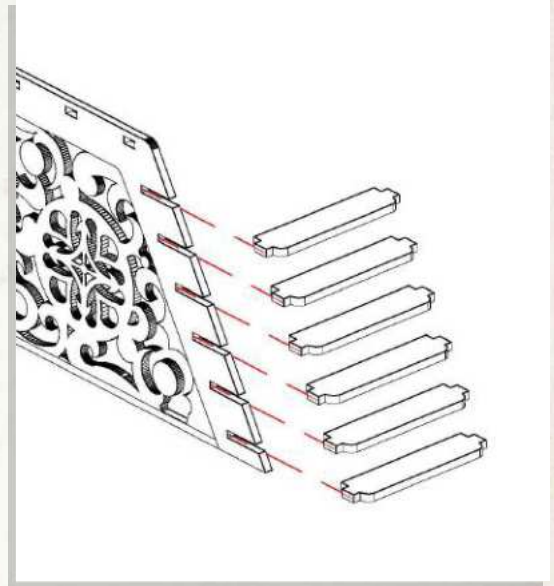
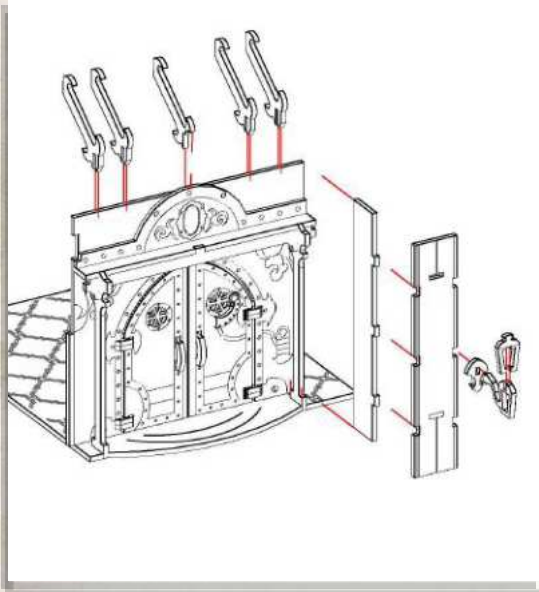




WARCRADLE SCENICS

Rio Sonora - Domicile - Assembly Guide

Parts may need careful removal from the MDF boards with a scalpel, and light sanding of any rough edges. We recommend testing assembling sections before permanently gluing together.

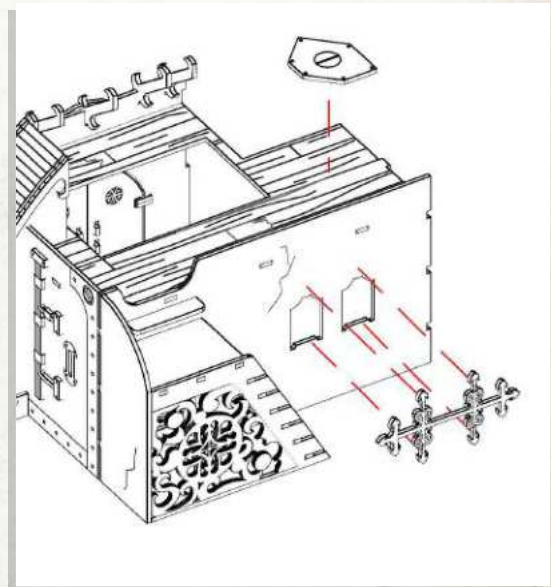
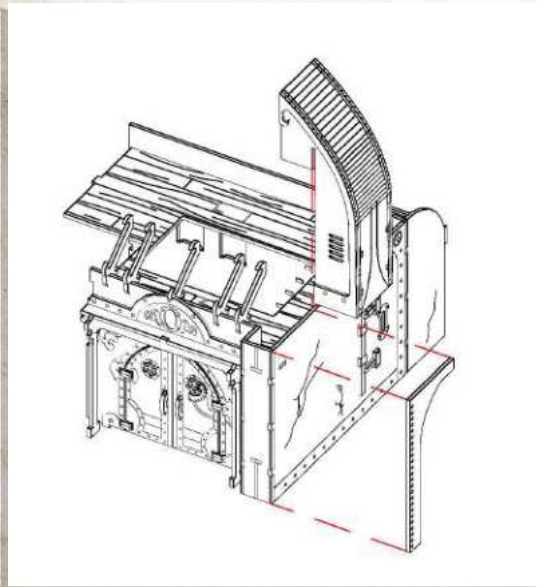
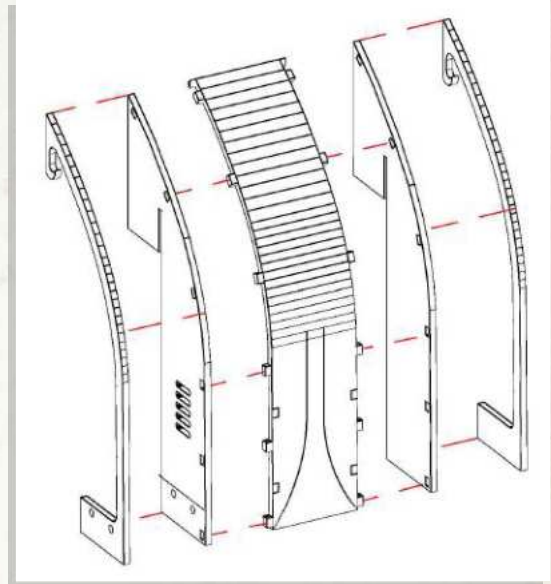
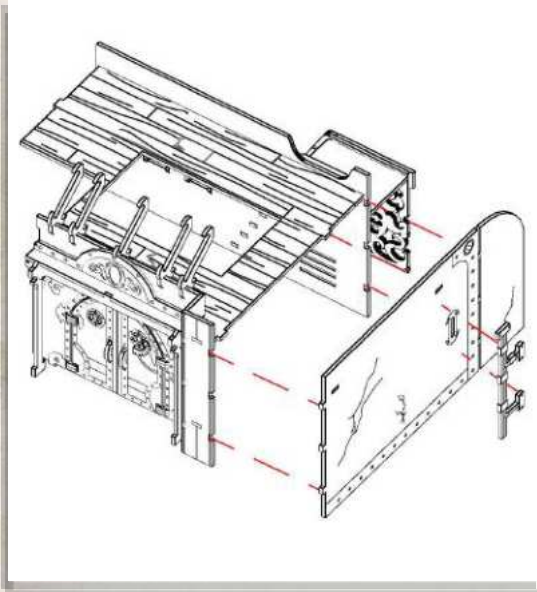




WARCRADLE SCENICS

Rio Sonora - Domicile - Assembly Guide

Parts may need careful removal from the MDF boards with a scalpel, and light sanding of any rough edges. We recommend testing assembling sections before permanently gluing together.

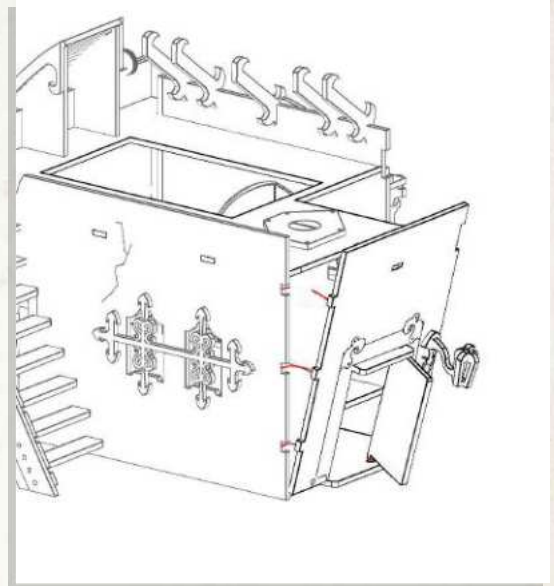
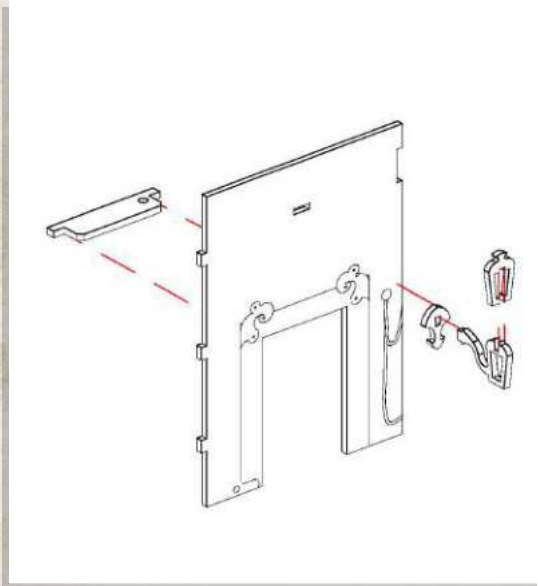




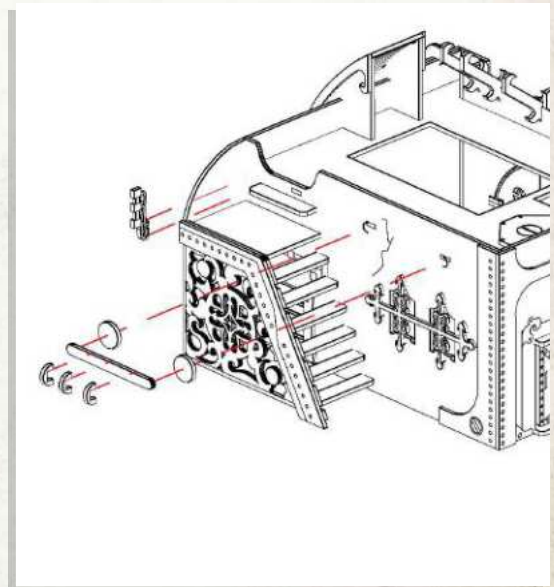
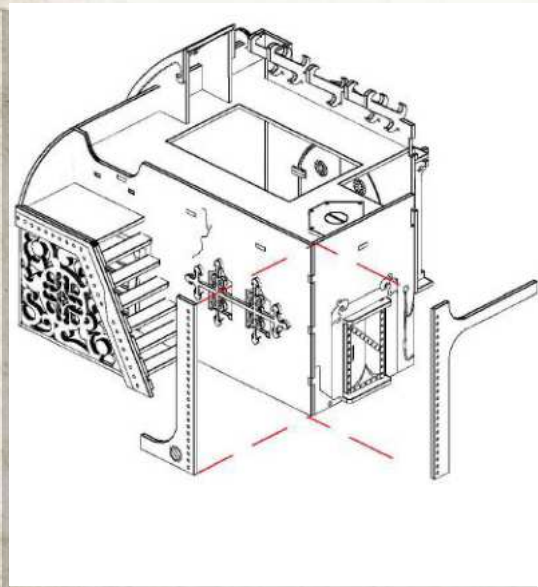
WARCRADLE SCENICS

Rio Sonora - Domicile - Assembly Guide

Parts may need careful removal from the MDF boards with a scalpel, and light sanding of any rough edges. We recommend testing assembling sections before permanently gluing together.



NOTE: Do not use glue on the door



WARCRADLE
STUDIOS™

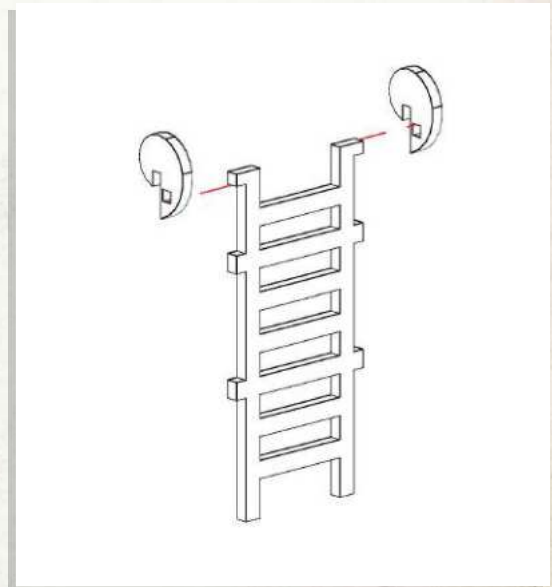
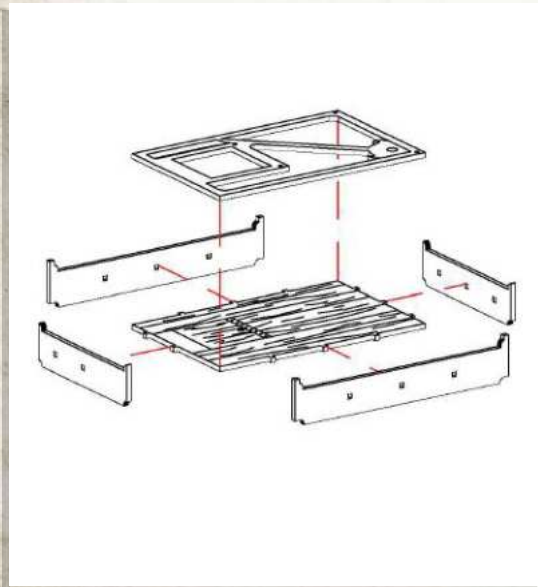
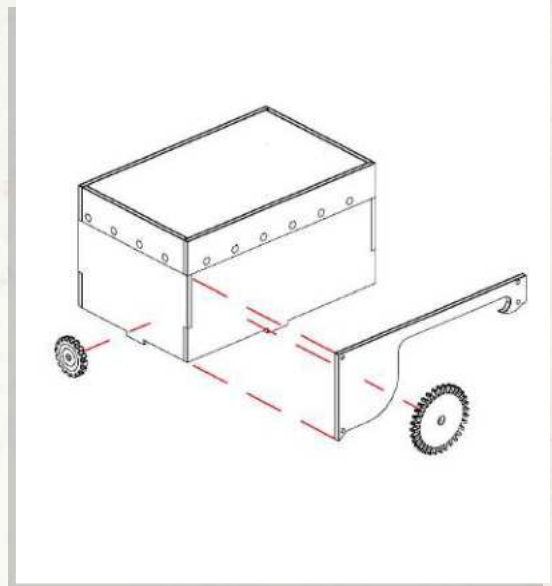
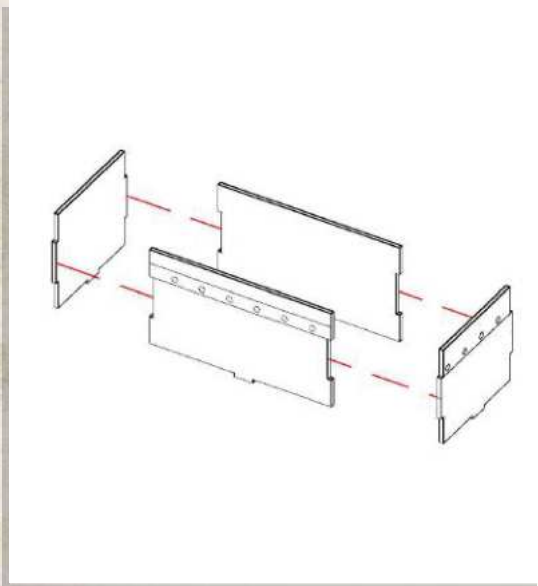
WARCRADLE STUDIOS IS A TRADING NAME OF WAYLAND GAMES LIMITED. WILD WEST EXODUS IS A TRADING NAME OF WAYLAND GAMES LIMITED. ILLUSTRATIONS AND DESIGNS ARE COPYRIGHT © 2020 WAYLAND GAMES LIMITED, ASSEMBLED IN THE UK.



WARCRADLE SCENICS

Rio Sonora - Domicile - Assembly Guide

Parts may need careful removal from the MDF boards with a scalpel, and light sanding of any rough edges. We recommend testing assembling sections before permanently gluing together.



WARCRADLE
STUDIOS™

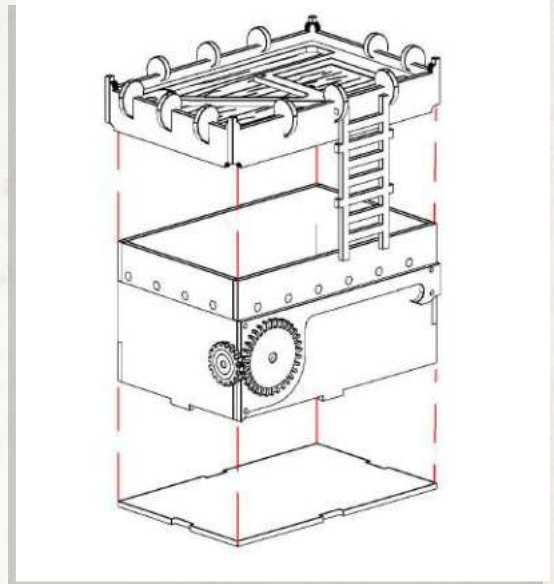
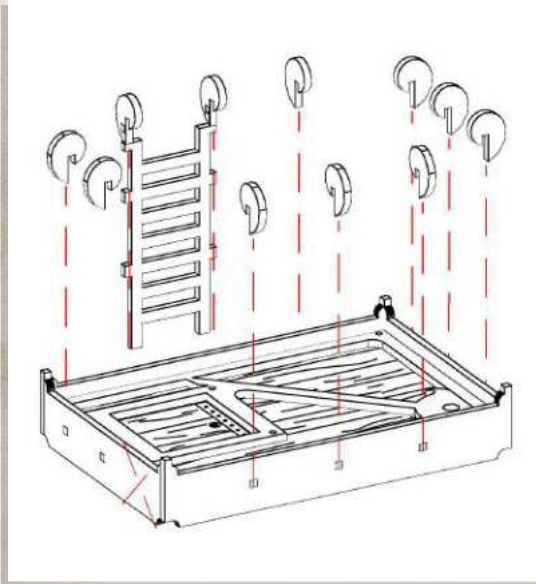
WARCRADLE STUDIOS IS A TRADING NAME OF WAYLAND GAMES LIMITED. WILD WEST EXODUS IS A TRADING NAME OF WAYLAND GAMES LIMITED. ILLUSTRATIONS AND DESIGNS ARE COPYRIGHT © 2020 WAYLAND GAMES LIMITED. ASSEMBLED IN THE UK.



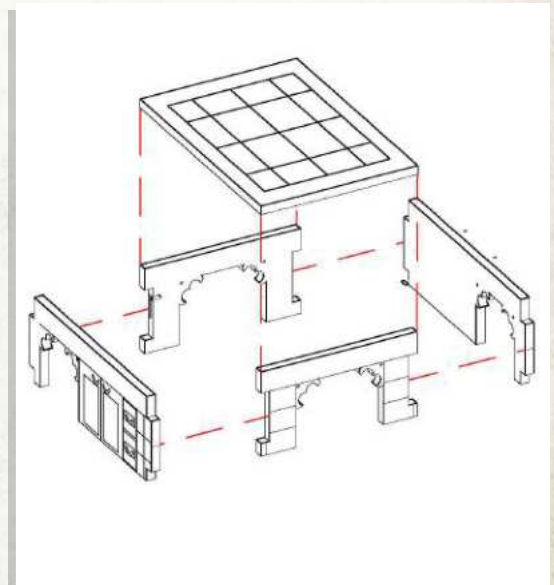
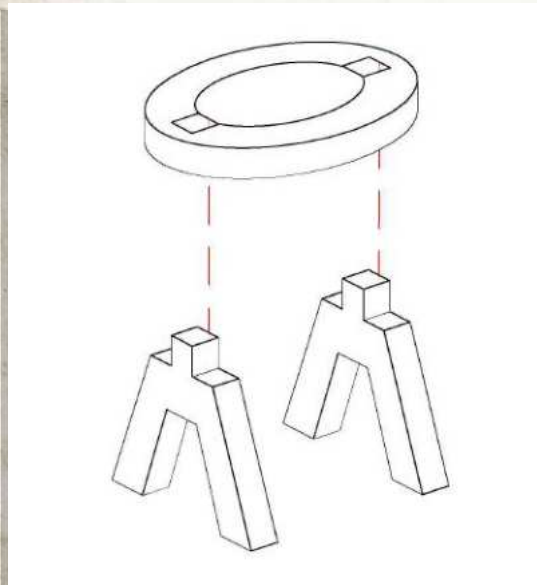
WARCRADLE SCENICS

Rio Sonora - Domicile - Assembly Guide

Parts may need careful removal from the MDF boards with a scalpel, and light sanding of any rough edges. We recommend testing assembling sections before permanently gluing together.



NOTE: Do not glue on the red X



WARCRADLE
STUDIOS

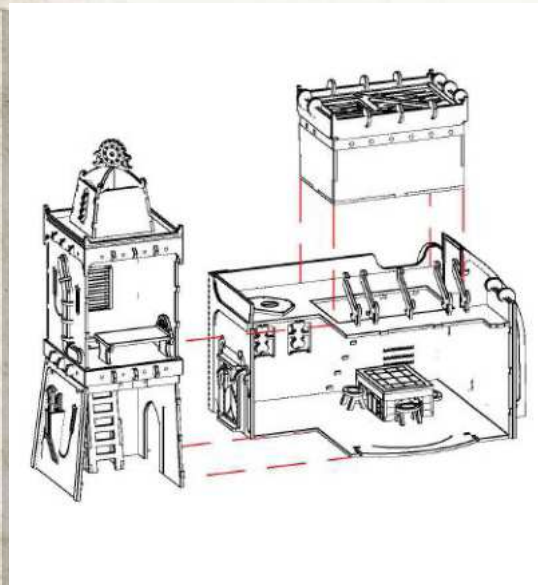
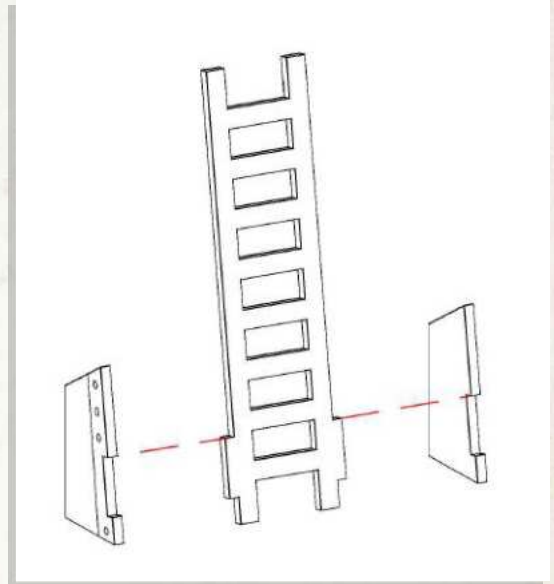
WARCRADLE STUDIOS IS A TRADING NAME OF WAYLAND GAMES LIMITED. WILD WEST EXODUS IS A TRADING NAME OF WAYLAND GAMES LIMITED. ILLUSTRATIONS AND DESIGNS ARE COPYRIGHT © 2020 WAYLAND GAMES LIMITED, ASSEMBLED IN THE UK.



WARCRADLE SCENICS

Rio Sonora - Domicile - Assembly Guide

Parts may need careful removal from the MDF boards with a scalpel, and light sanding of any rough edges. We recommend testing assembling sections before permanently gluing together.



NOTE: Interior pieces can be placed anywhere. Do not use glue when assembling these together



WARCRADLE
STUDIOS

TM

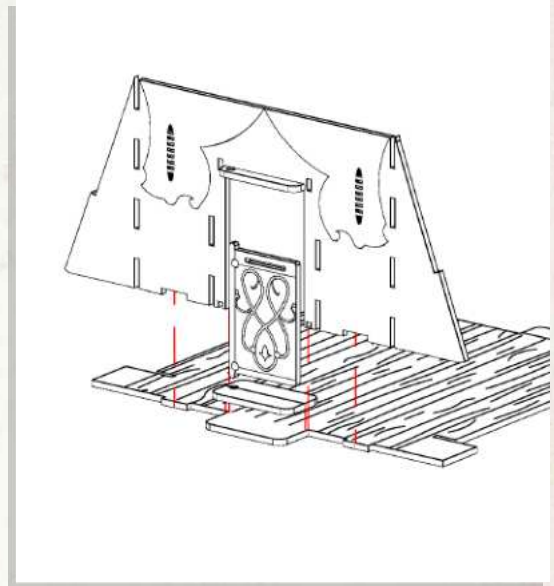
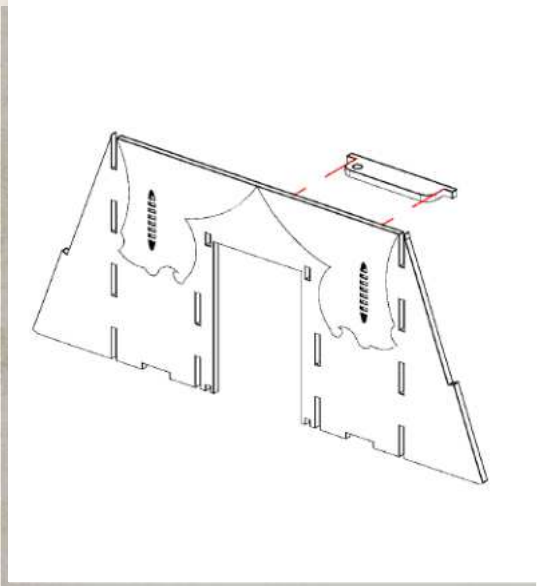
WARCRADLE STUDIOS IS A TRADING NAME OF WAYLAND GAMES LIMITED. WILD WEST EXODUS IS A TRADING NAME OF WAYLAND GAMES LIMITED. ILLUSTRATIONS AND DESIGNS ARE COPYRIGHT © 2020 WAYLAND GAMES LIMITED, ASSEMBLED IN THE UK.



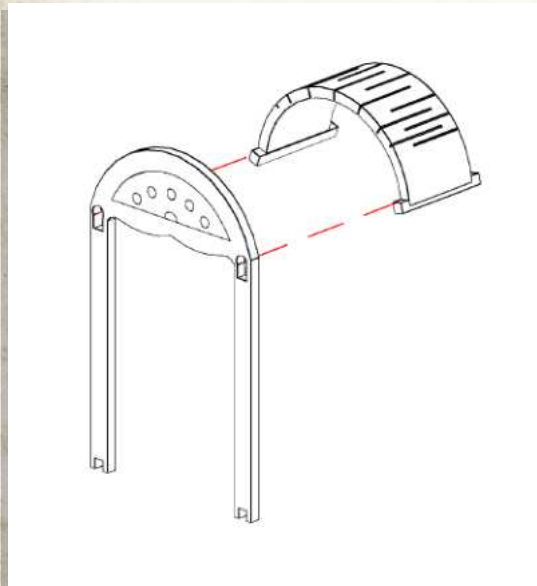
WARCRADLE
SCENICS

Rio Sonora - Foundry - Assembly Guide

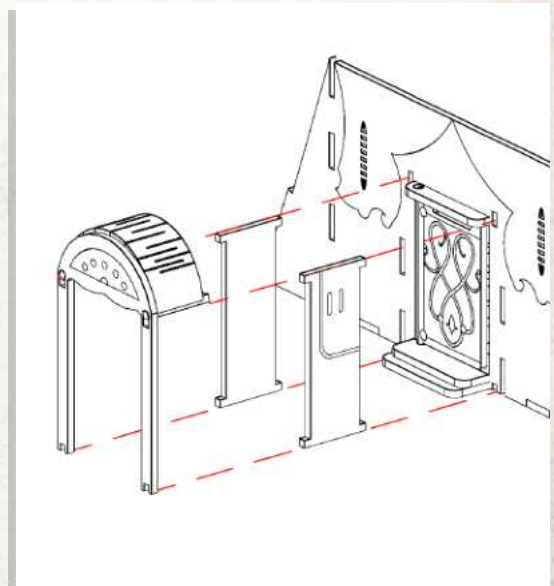
Parts may need careful removal from the MDF boards with a scalpel, and light sanding of any rough edges. We recommend testing assembling sections before permanently gluing together.



NOTE: Do not use glue on the door



NOTE: Carefully bend Part B3 until it makes the arch

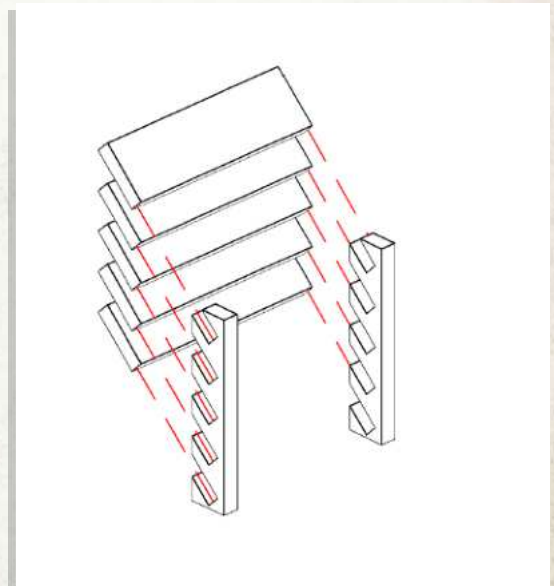
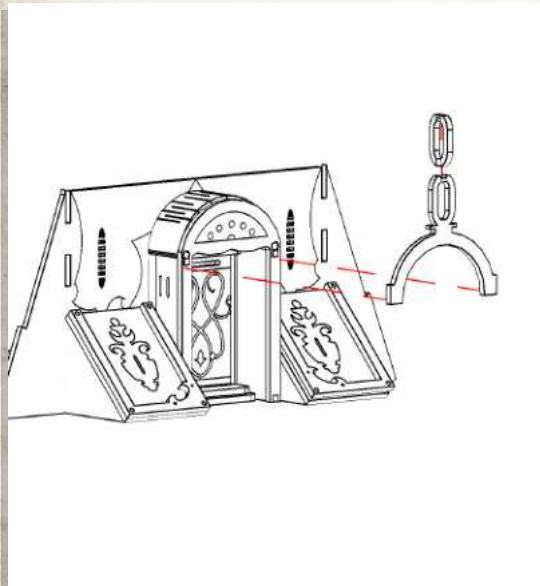
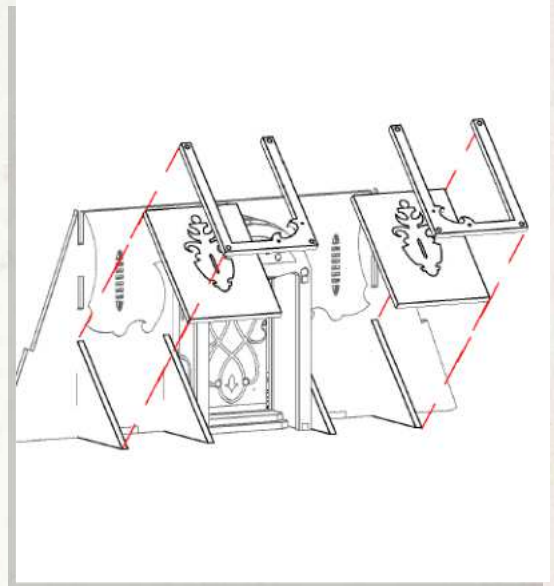
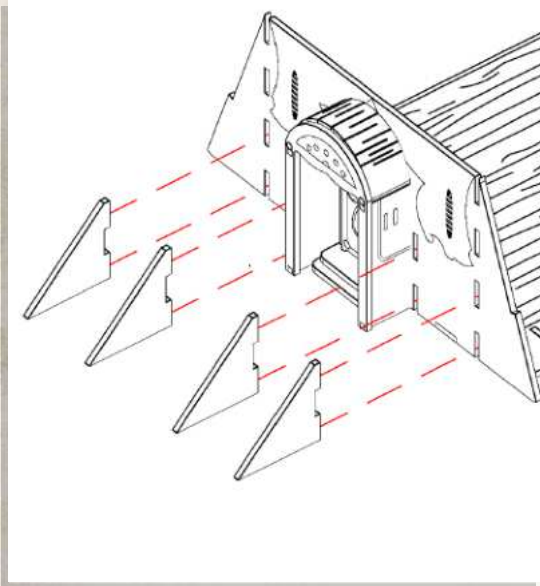




WARCRADLE SCENICS

Rio Sonora - Foundry - Assembly Guide

Parts may need careful removal from the MDF boards with a scalpel, and light sanding of any rough edges. We recommend testing assembling sections before permanently gluing together.

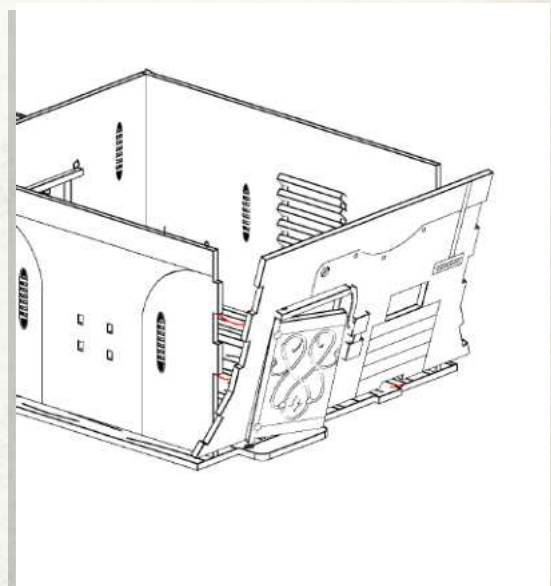
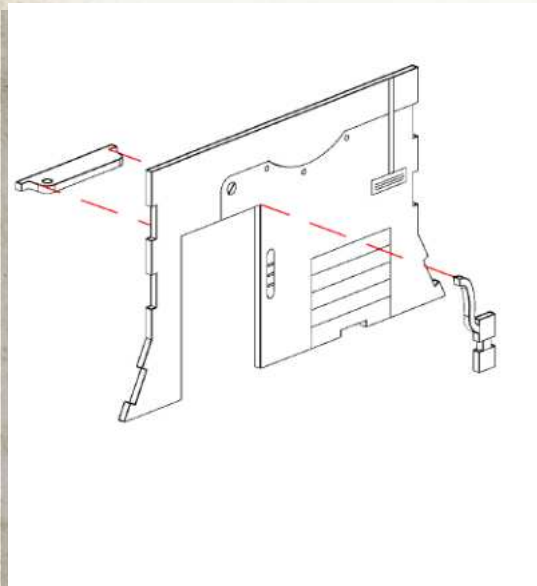
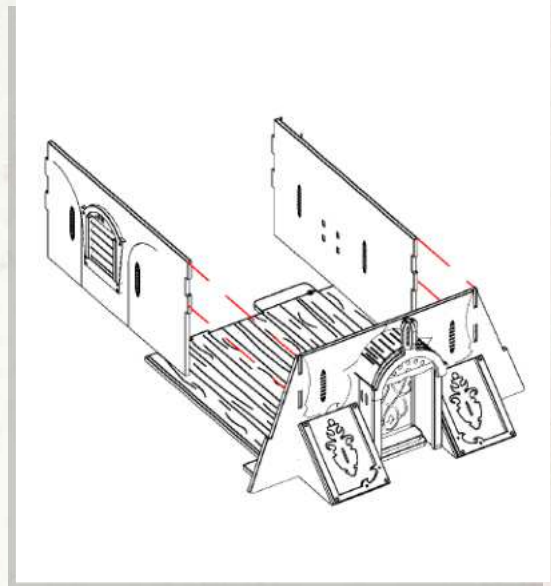
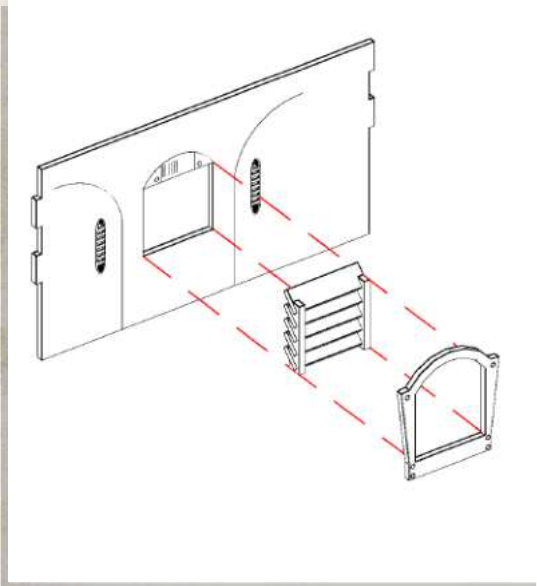




WARCRADLE SCENICS

Rio Sonora - Foundry - Assembly Guide

Parts may need careful removal from the MDF boards with a scalpel, and light sanding of any rough edges. We recommend testing assembling sections before permanently gluing together.



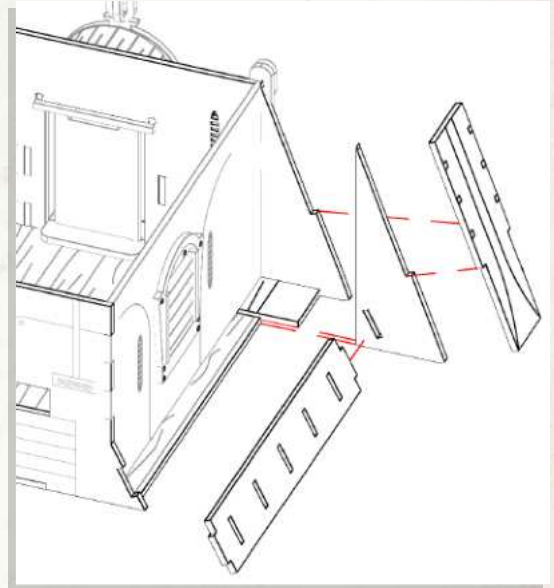
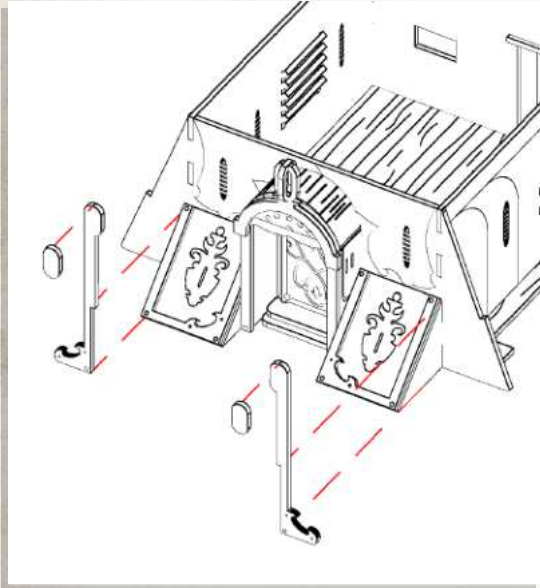
NOTE: Glue the wall while fitting the door in place. Do not use glue on the door



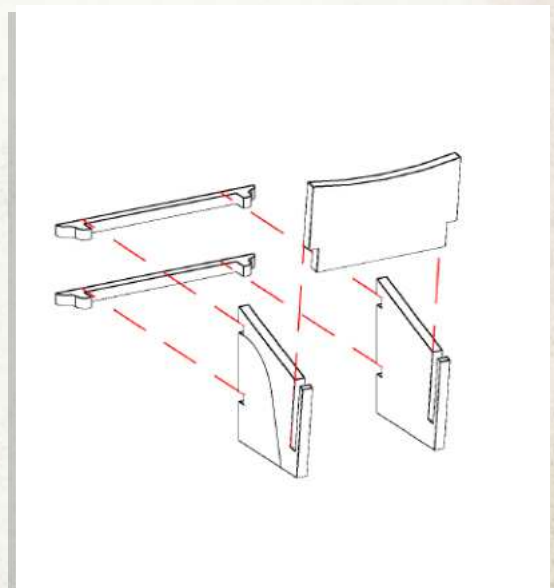
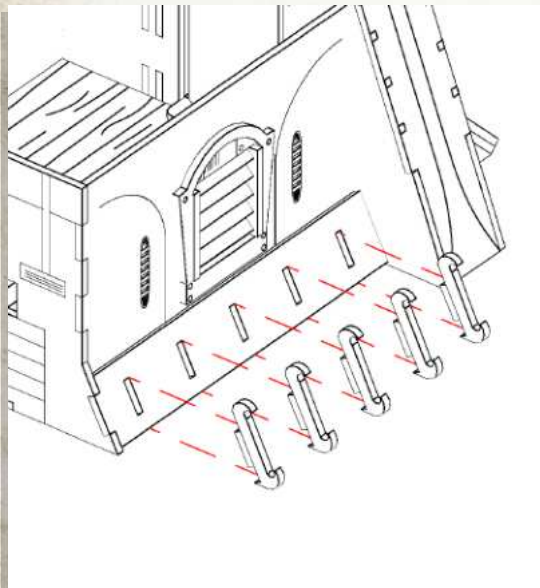
WARCRADLE SCENICS

Rio Sonora - Foundry - Assembly Guide

Parts may need careful removal from the MDF boards with a scalpel, and light sanding of any rough edges. We recommend testing assembling sections before permanently gluing together.



NOTE: Repeat for both sides



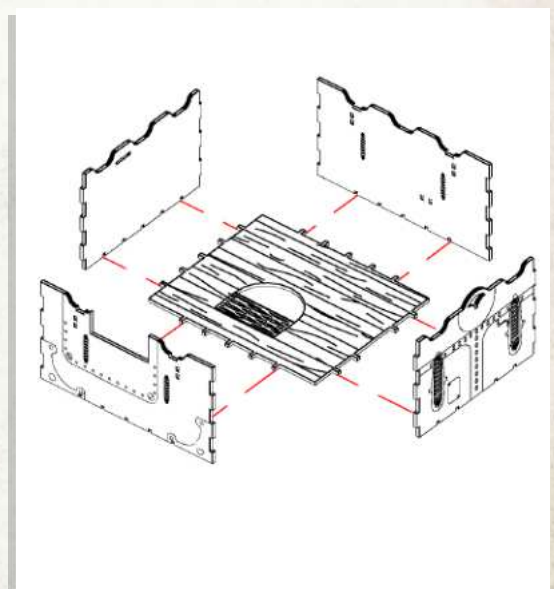
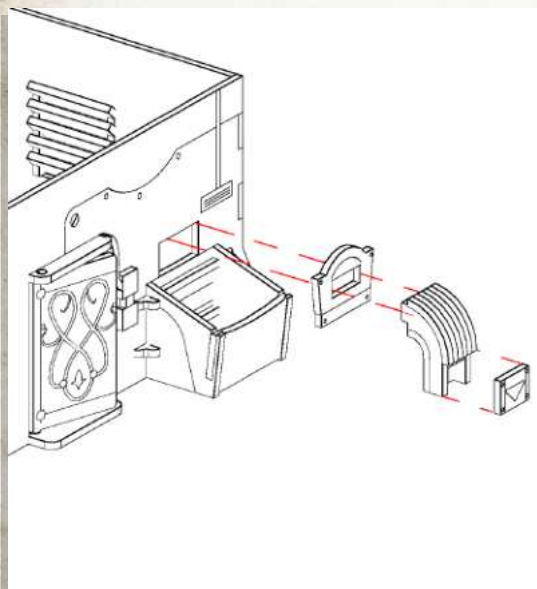
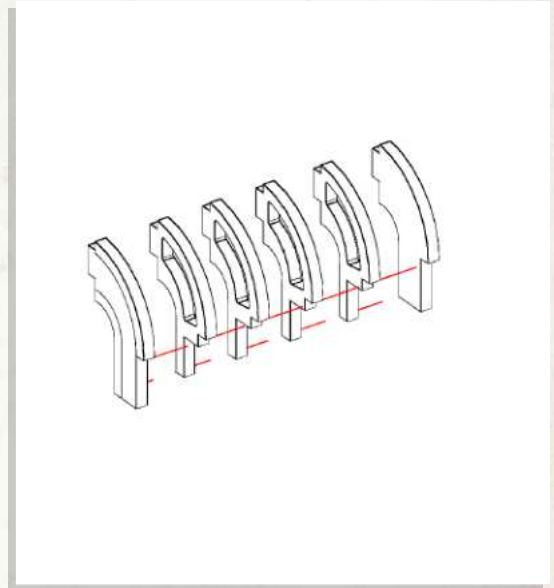
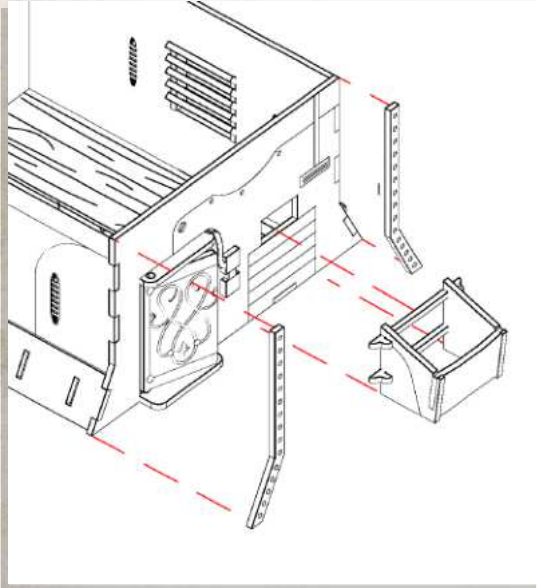
NOTE: Repeat for both sides



WARCRADLE SCENICS

Rio Sonora - Foundry - Assembly Guide

Parts may need careful removal from the MDF boards with a scalpel, and light sanding of any rough edges. We recommend testing assembling sections before permanently gluing together.

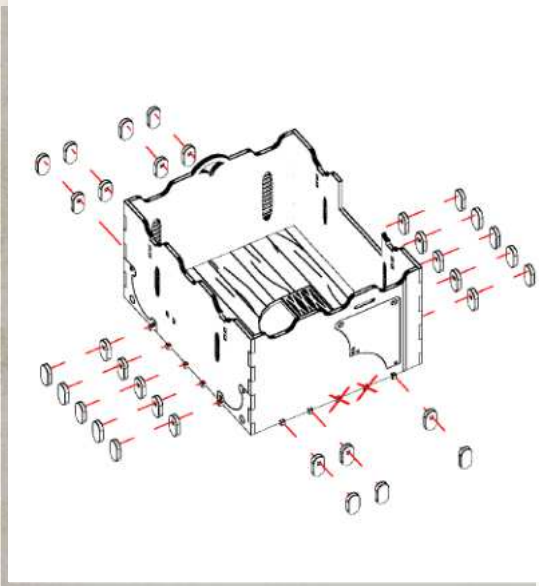




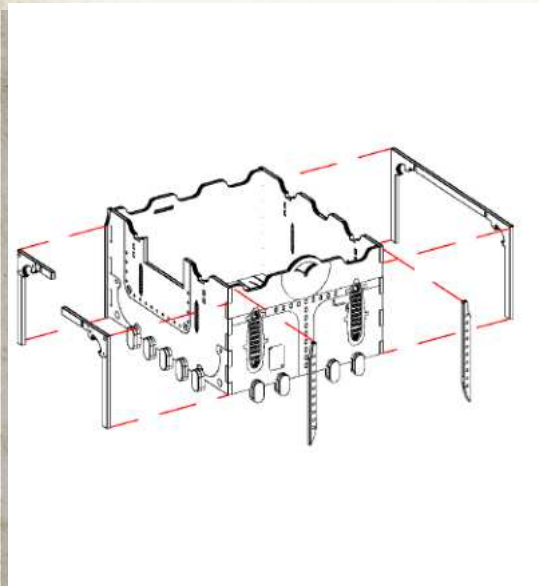
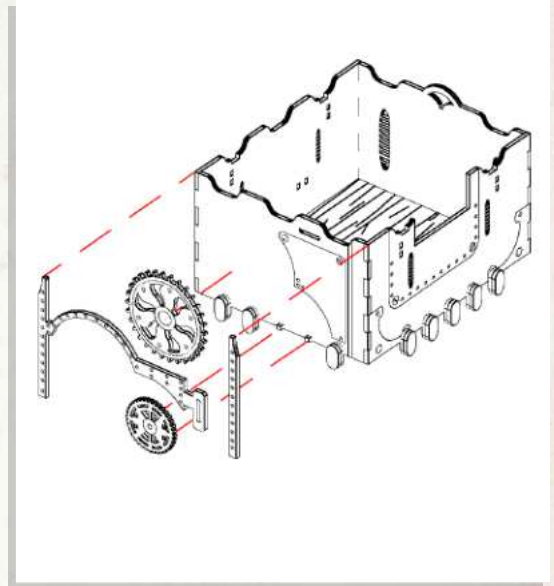
WARCRADLE SCENICS

Rio Sonora - Foundry - Assembly Guide

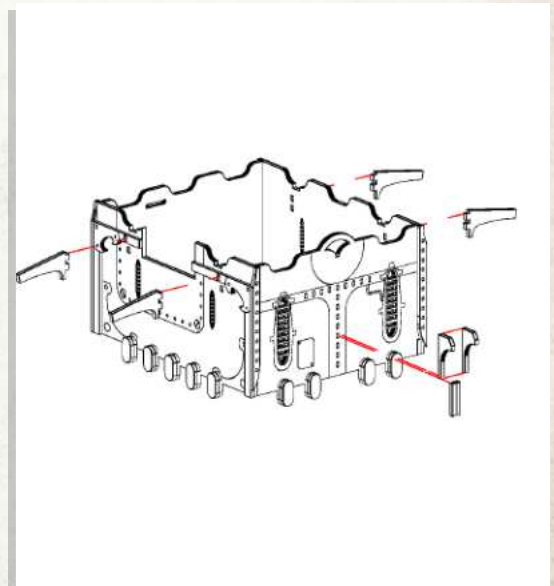
Parts may need careful removal from the MDF boards with a scalpel, and light sanding of any rough edges. We recommend testing assembling sections before permanently gluing together.



NOTE: Do not glue anything where the red X's are



NOTE: Line up parts E11, E12, E1 with the bottom edge and parts E2 with the top edge

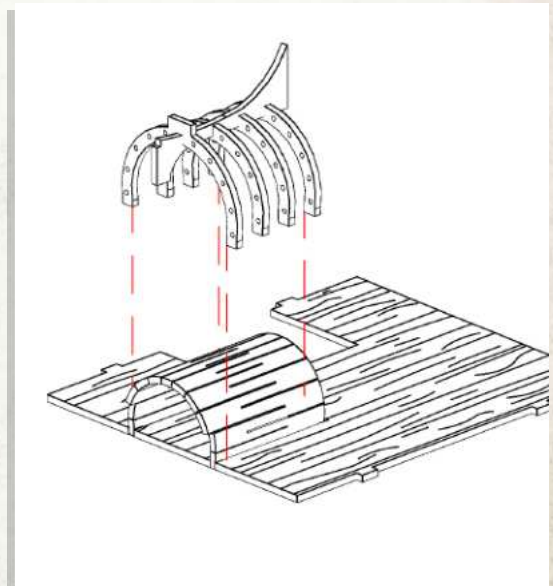
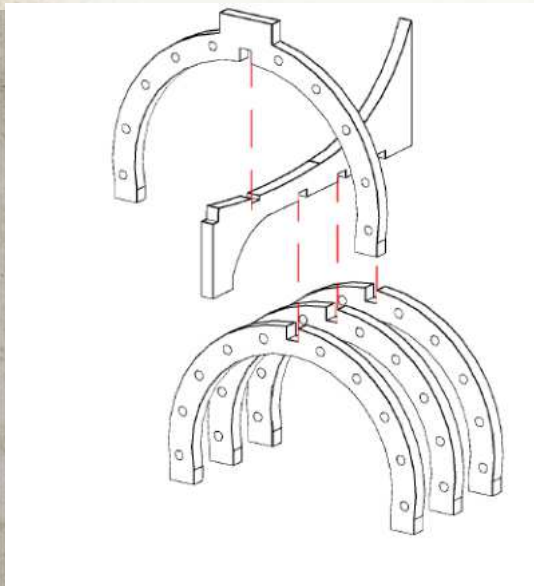
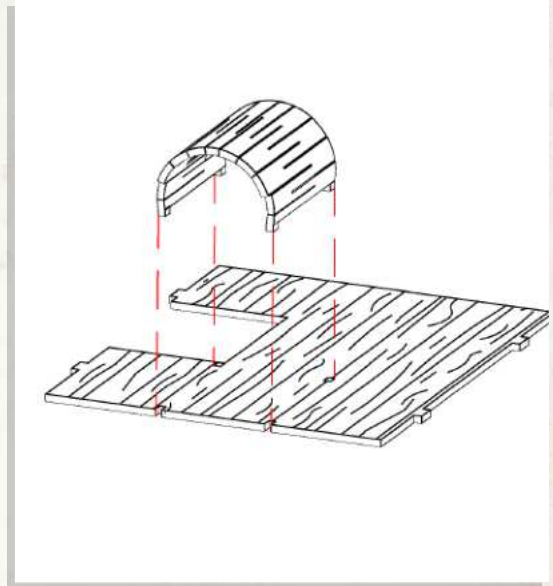
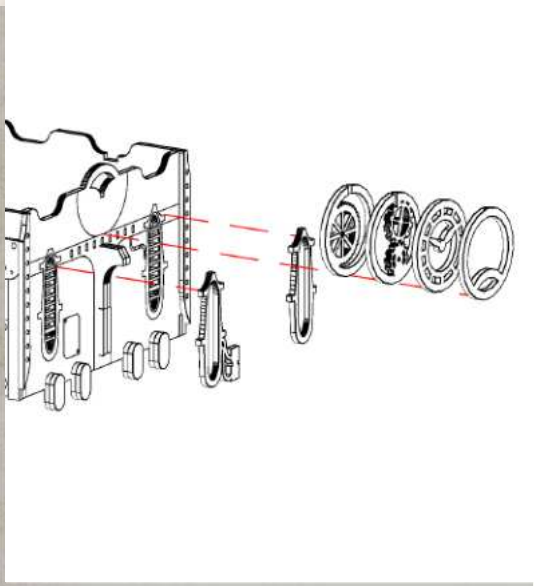




WARCRADLE SCENICS

Rio Sonora - Foundry - Assembly Guide

Parts may need careful removal from the MDF boards with a scalpel, and light sanding of any rough edges. We recommend testing assembling sections before permanently gluing together.



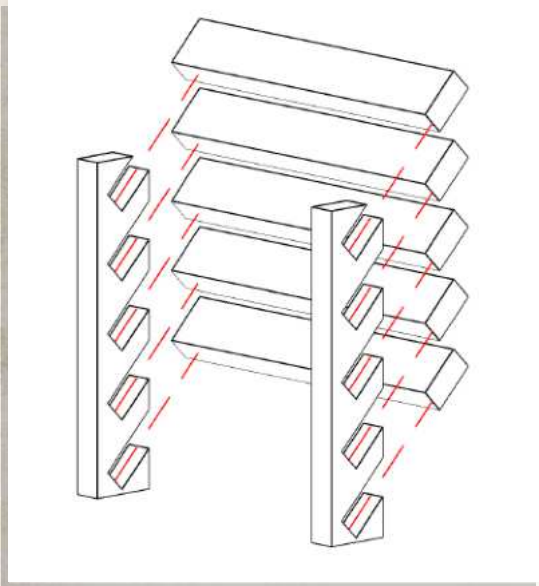
WARCRADLE
STUDIOS™

WARCRADLE STUDIOS IS A TRADING NAME OF WAYLAND GAMES LIMITED. WILD WEST EXODUS IS A TRADING NAME OF WAYLAND GAMES LIMITED. ILLUSTRATIONS AND DESIGNS ARE COPYRIGHT © 2020 WAYLAND GAMES LIMITED. ASSEMBLED IN THE UK.

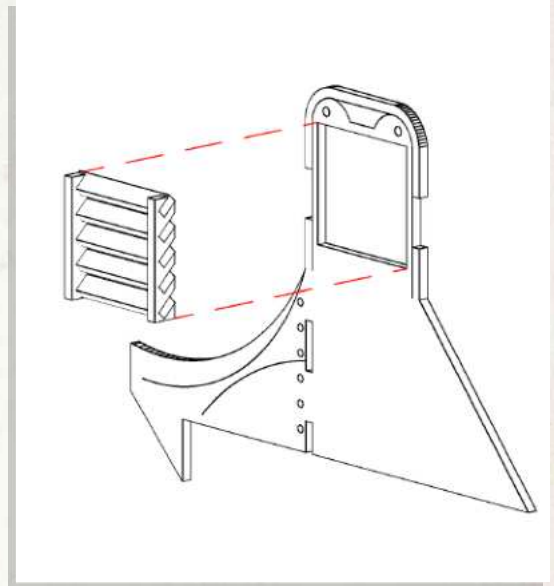


Rio Sonora - Foundry - Assembly Guide

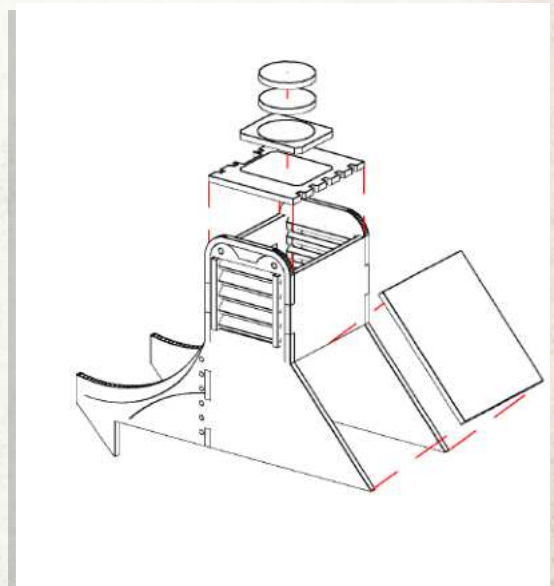
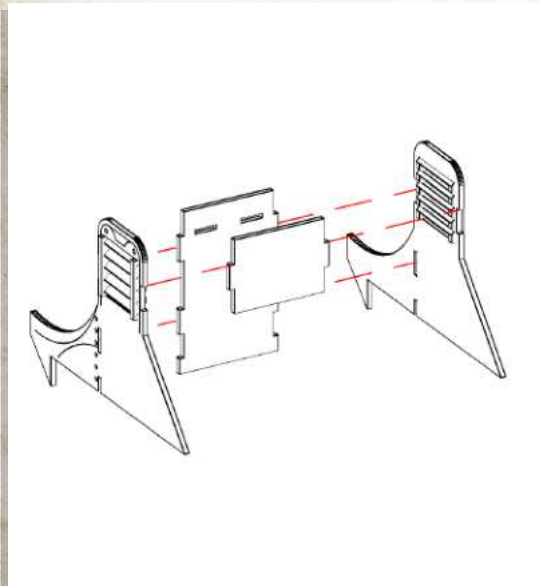
Parts may need careful removal from the MDF boards with a scalpel, and light sanding of any rough edges. We recommend testing assembling sections before permanently gluing together.



NOTE: Repeat for both sets



NOTE: Repeat for both sides

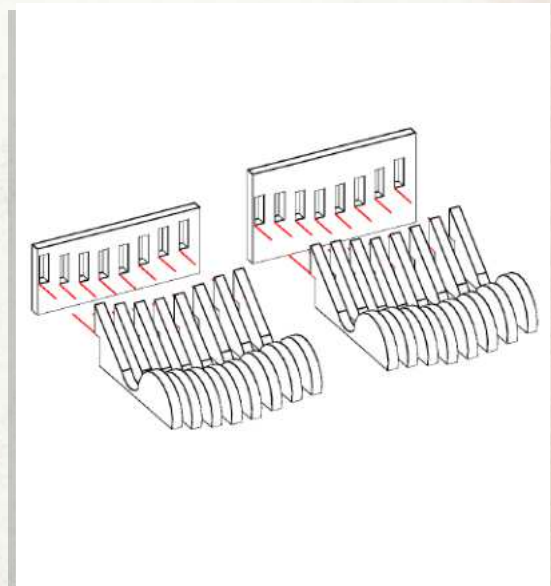
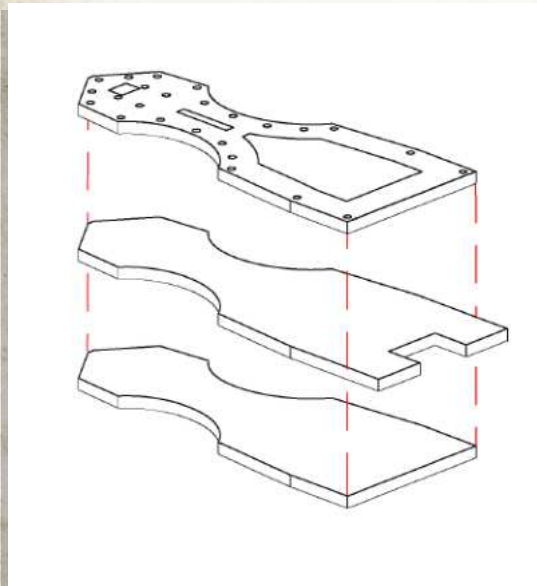
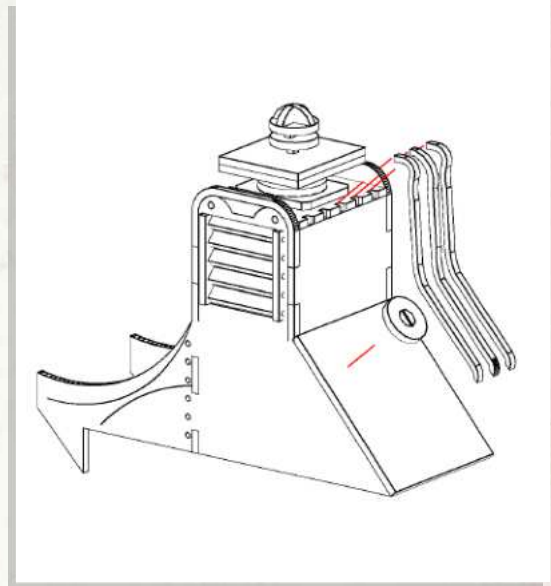
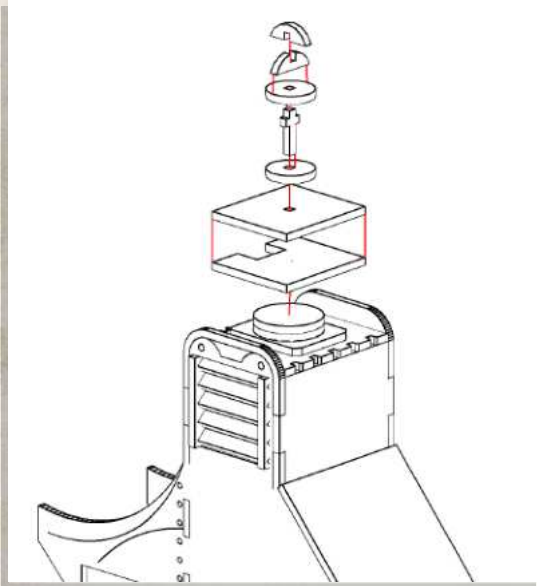




WARCRADLE SCENICS

Rio Sonora - Foundry - Assembly Guide

Parts may need careful removal from the MDF boards with a scalpel, and light sanding of any rough edges. We recommend testing assembling sections before permanently gluing together.



WARCRADLE
STUDIOS

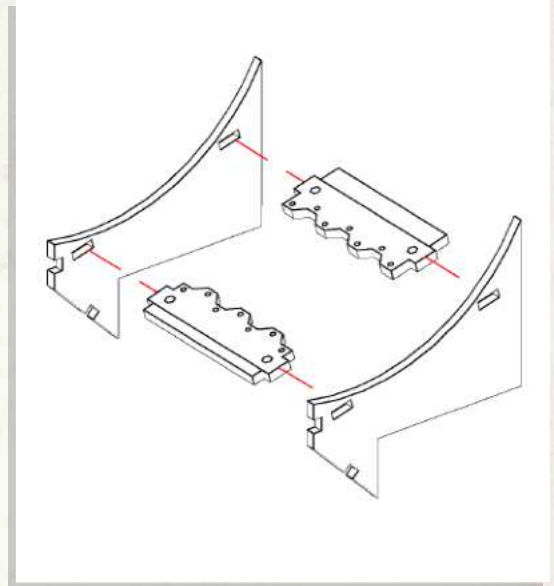
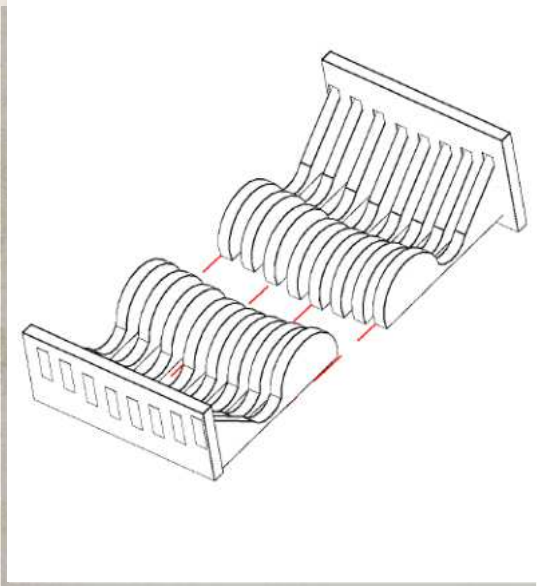
WARCRADLE STUDIOS IS A TRADING NAME OF WAYLAND GAMES LIMITED. WILD WEST EXODUS IS A TRADING NAME OF WAYLAND GAMES LIMITED. ILLUSTRATIONS AND DESIGNS ARE COPYRIGHT © 2020 WAYLAND GAMES LIMITED, ASSEMBLED IN THE UK.



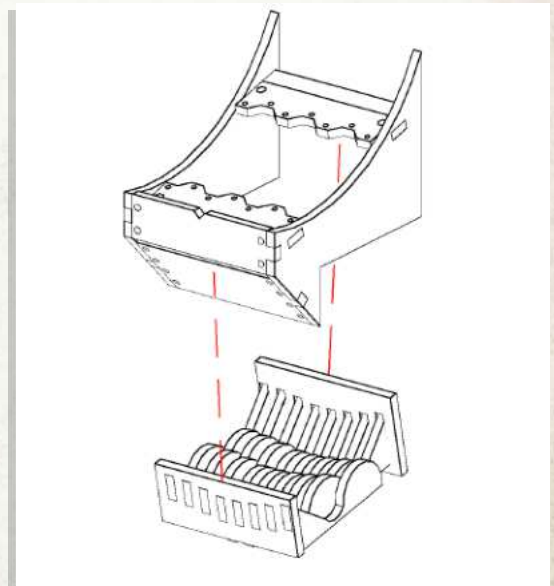
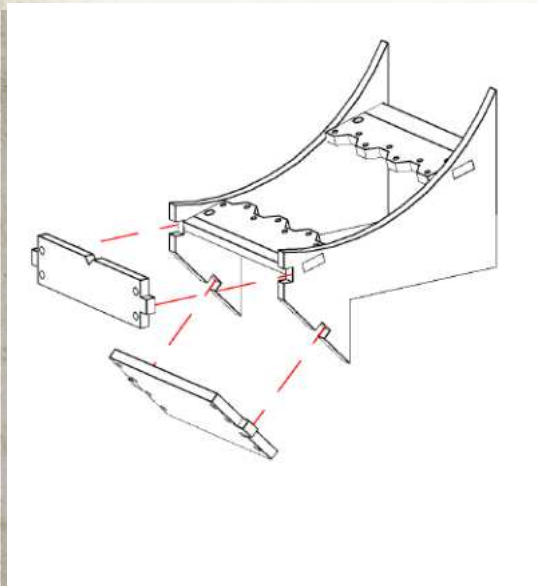
WARCRADLE SCENICS

Rio Sonora - Foundry - Assembly Guide

Parts may need careful removal from the MDF boards with a scalpel, and light sanding of any rough edges. We recommend testing assembling sections before permanently gluing together.



NOTE: Interlock pieces together. Do not use glue as to keep it adjustable

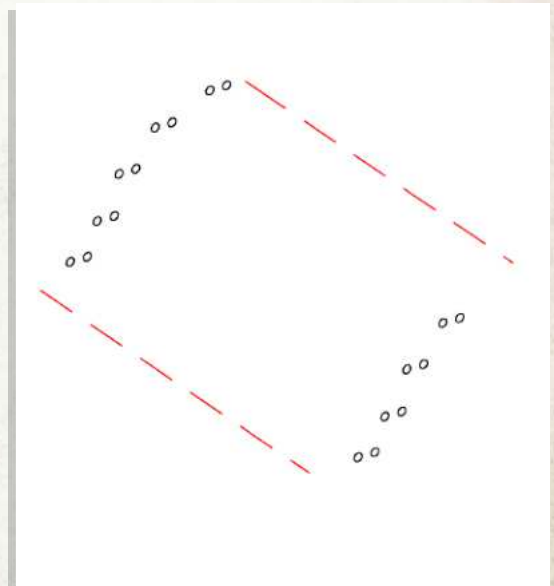
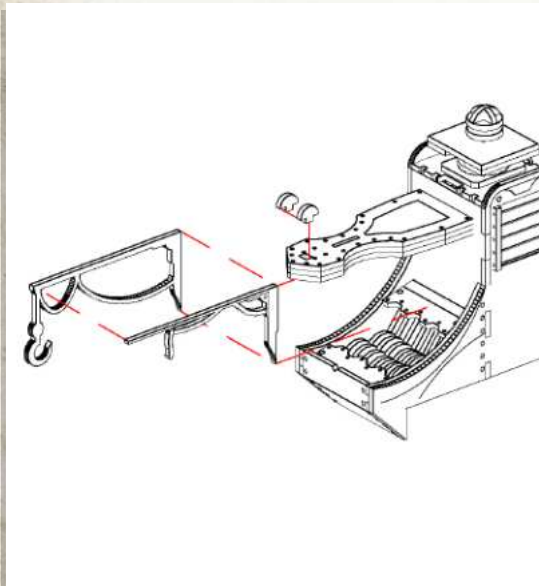
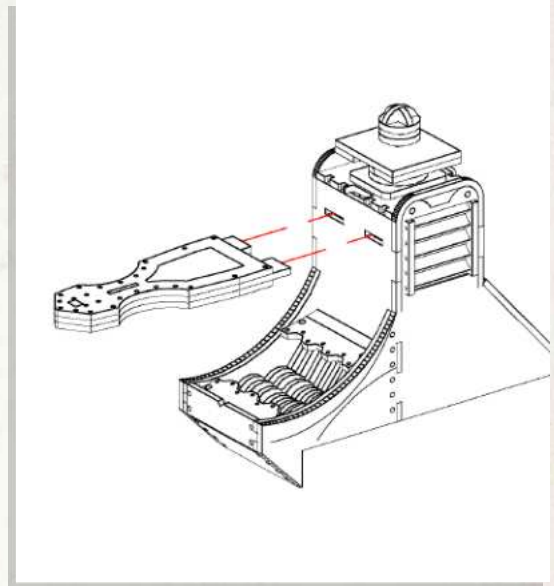
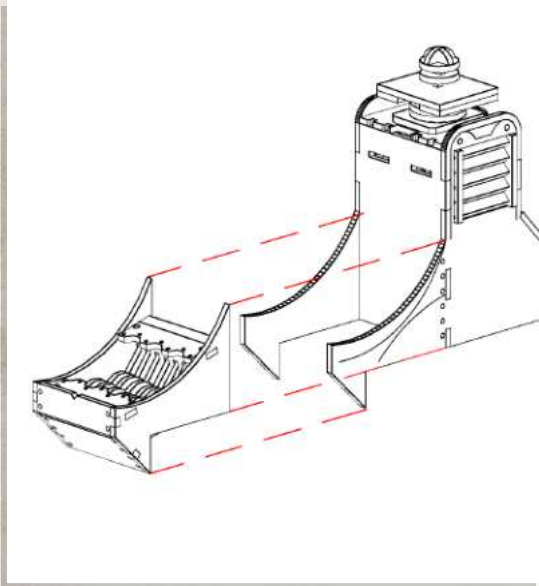




WARCRADLE SCENICS

Rio Sonora - Foundry - Assembly Guide

Parts may need careful removal from the MDF boards with a scalpel, and light sanding of any rough edges. We recommend testing assembling sections before permanently gluing together.

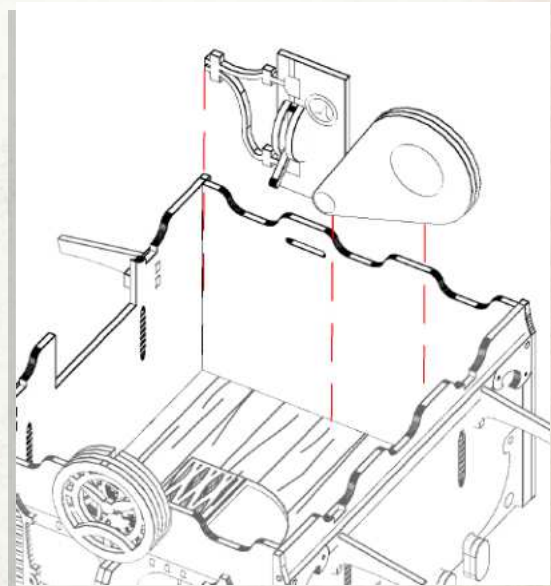
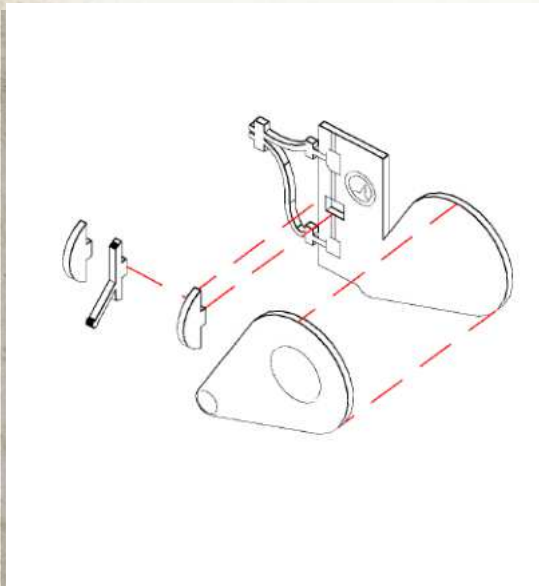
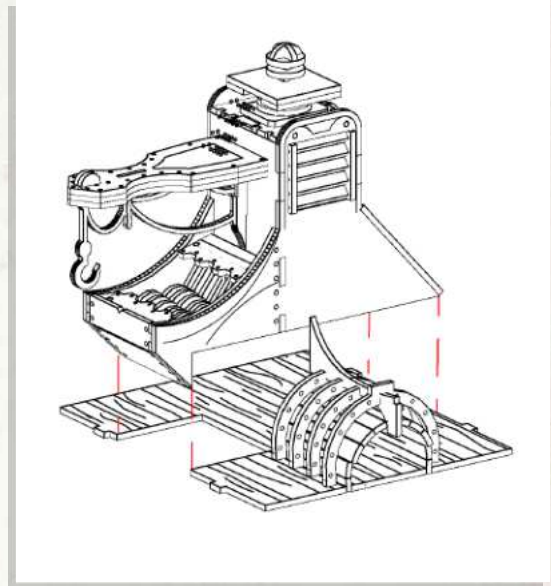
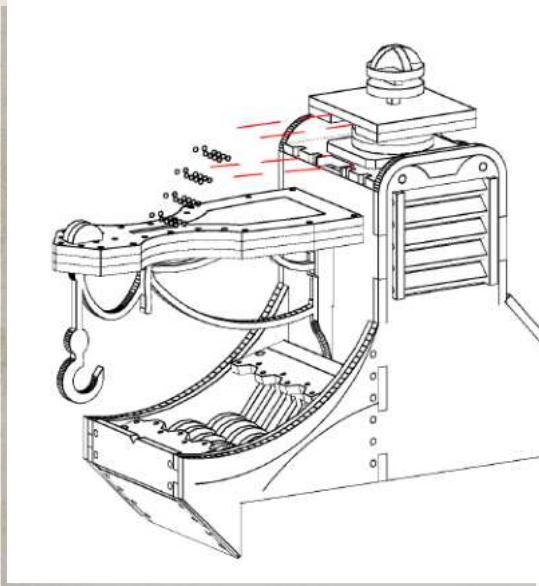




WARCRADLE SCENICS

Rio Sonora - Foundry - Assembly Guide

Parts may need careful removal from the MDF boards with a scalpel, and light sanding of any rough edges. We recommend testing assembling sections before permanently gluing together.

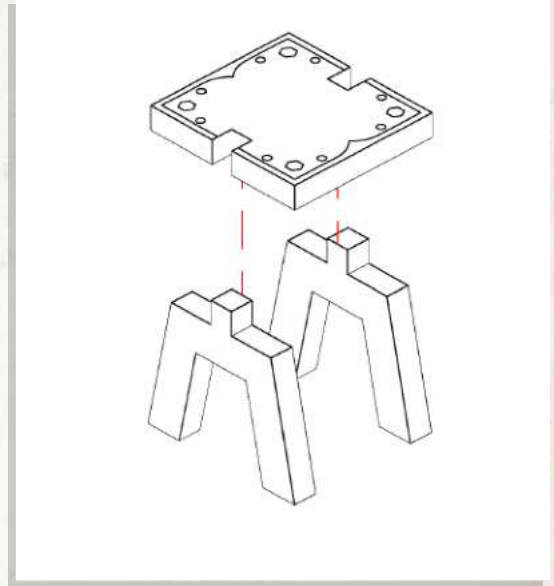
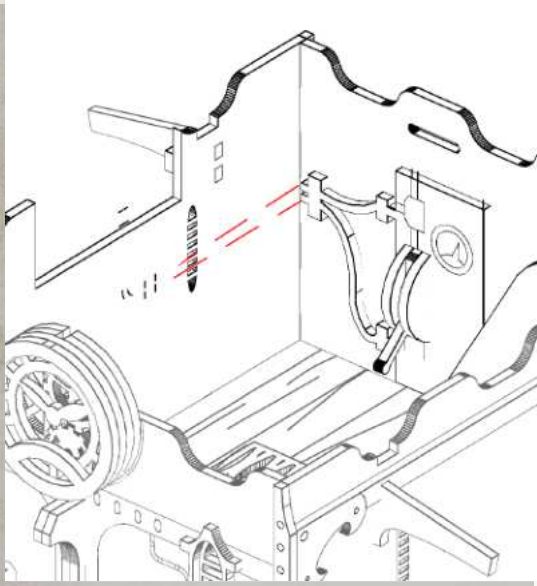




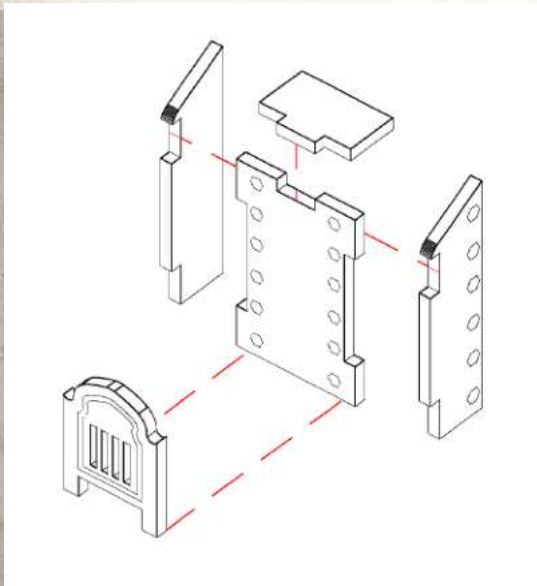
WARCRADLE SCENICS

Rio Sonora - Foundry - Assembly Guide

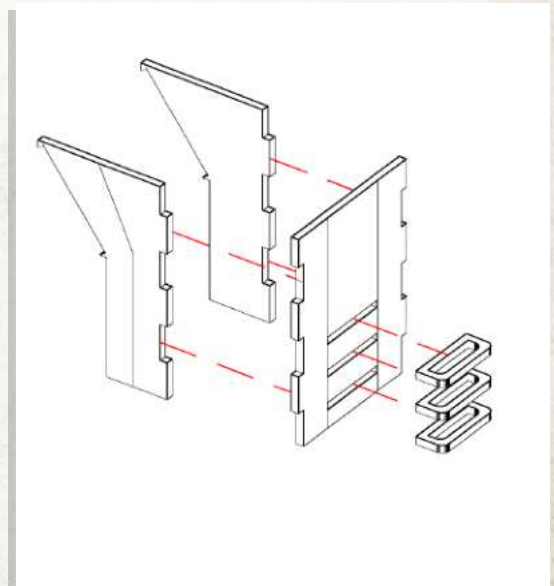
Parts may need careful removal from the MDF boards with a scalpel, and light sanding of any rough edges. We recommend testing assembling sections before permanently gluing together.



NOTE: Repeat for both stools



NOTE: Repeat for both fireplaces

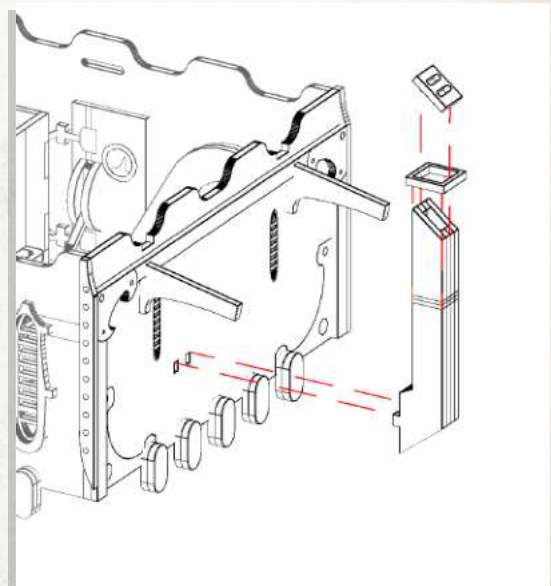
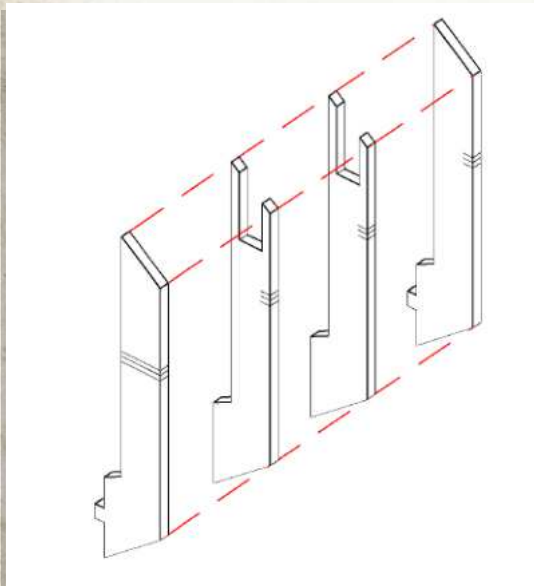
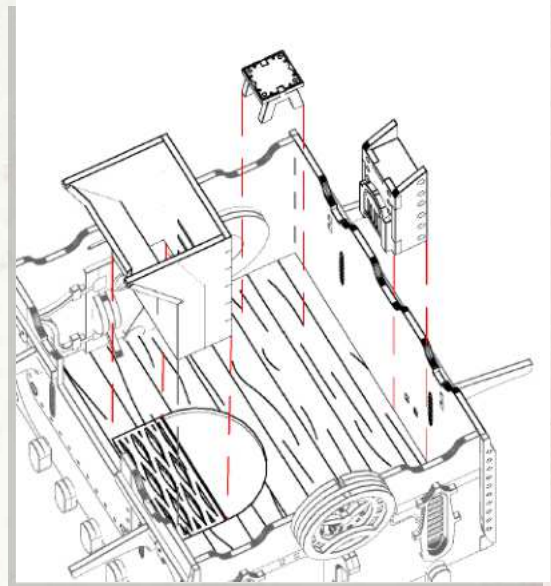
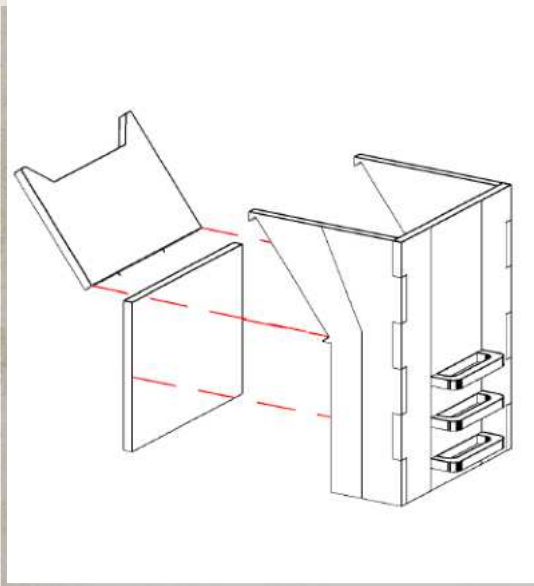




WARCRADLE SCENICS

Rio Sonora - Foundry - Assembly Guide

Parts may need careful removal from the MDF boards with a scalpel, and light sanding of any rough edges. We recommend testing assembling sections before permanently gluing together.



WARCRADLE
STUDIOS™

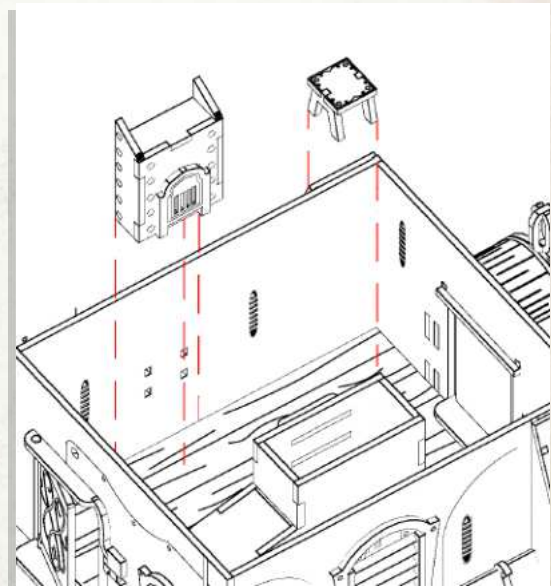
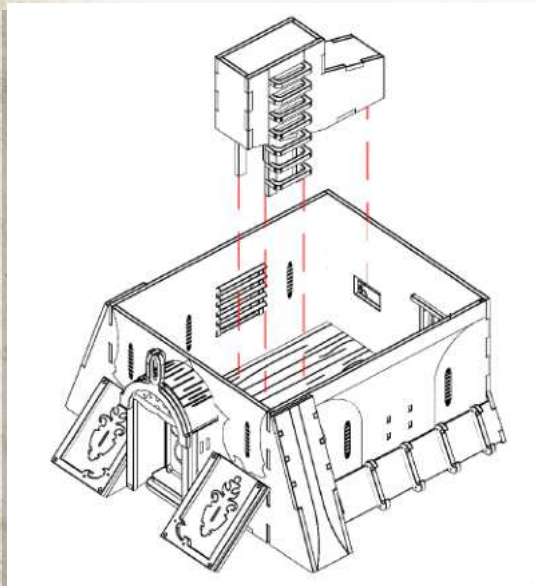
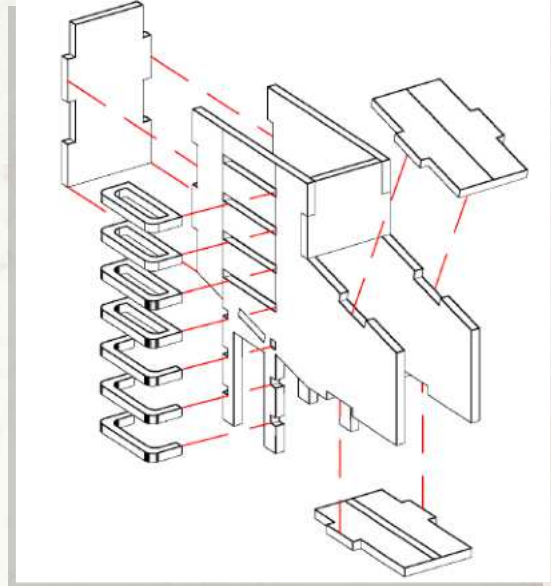
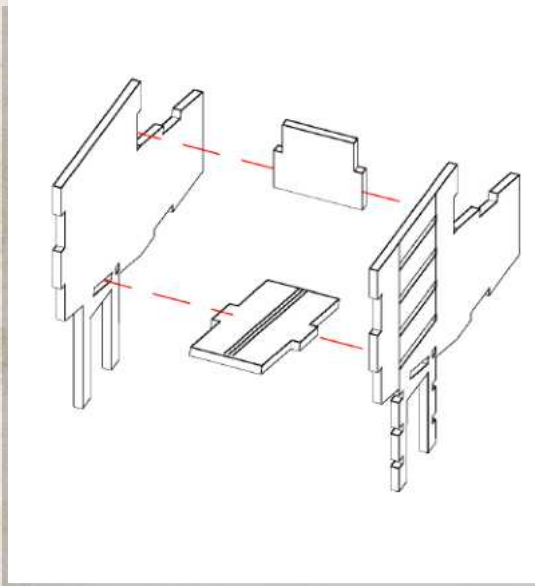
WARCRADLE STUDIOS IS A TRADING NAME OF WAYLAND GAMES LIMITED. WILD WEST EXODUS IS A TRADING NAME OF WAYLAND GAMES LIMITED. ILLUSTRATIONS AND DESIGNS ARE COPYRIGHT © 2020 WAYLAND GAMES LIMITED, ASSEMBLED IN THE UK.



WARCRADLE SCENICS

Rio Sonora - Foundry - Assembly Guide

Parts may need careful removal from the MDF boards with a scalpel, and light sanding of any rough edges. We recommend testing assembling sections before permanently gluing together.

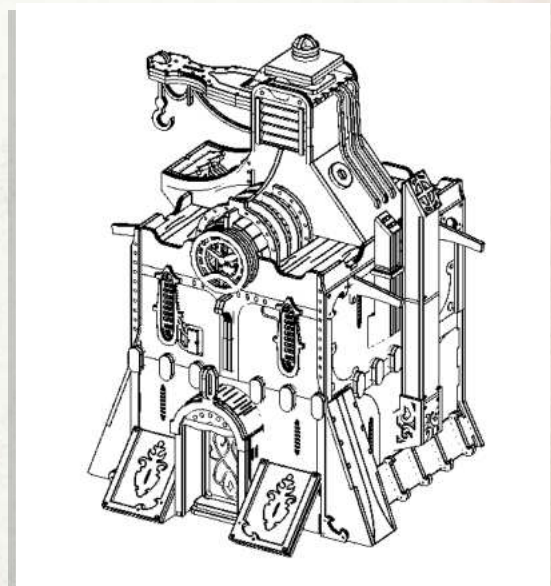
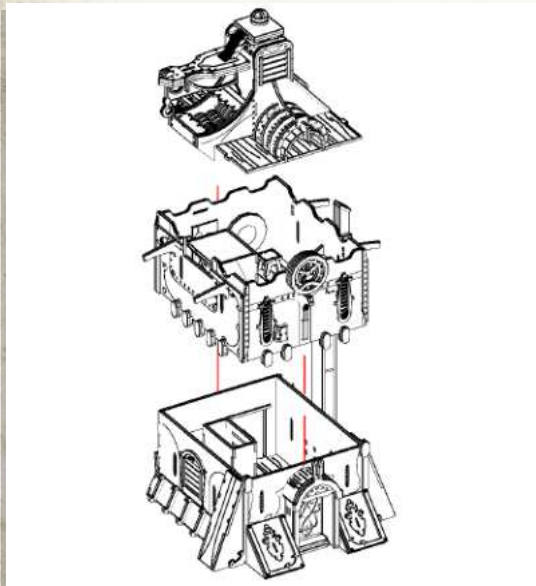
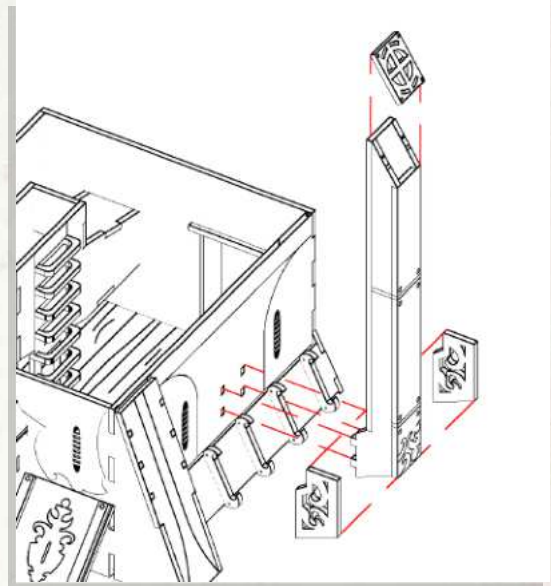
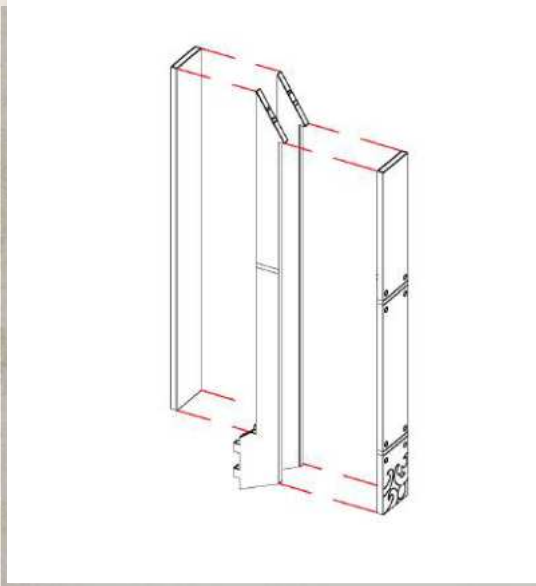




WARCRADLE SCENICS

Rio Sonora - Foundry - Assembly Guide

Parts may need careful removal from the MDF boards with a scalpel, and light sanding of any rough edges. We recommend testing assembling sections before permanently gluing together.

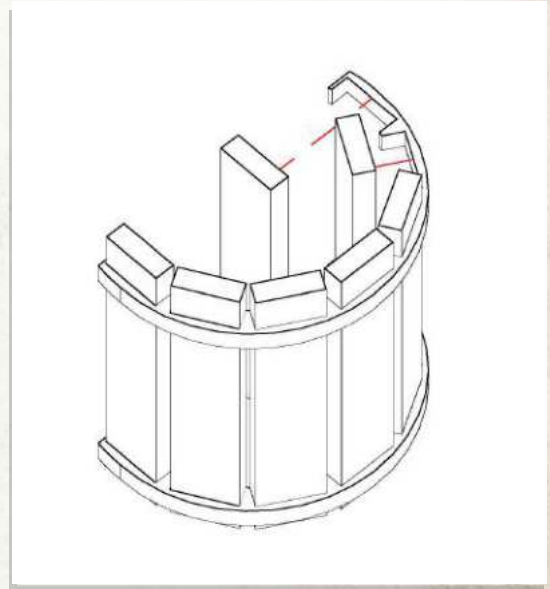
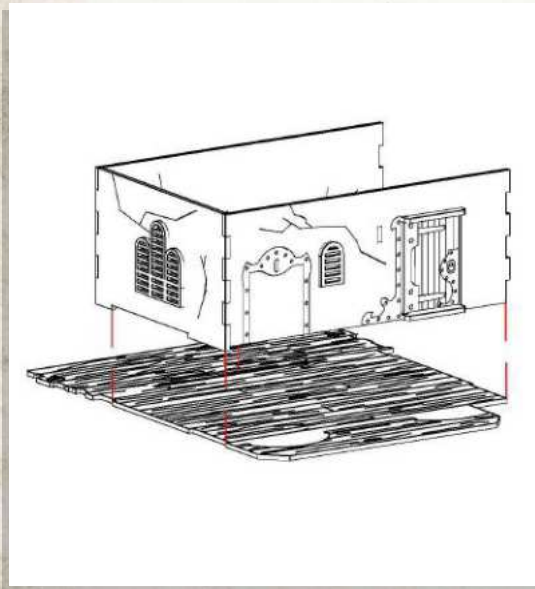
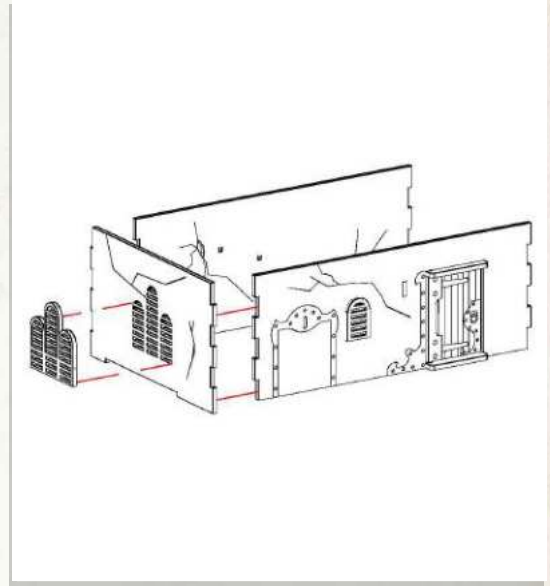
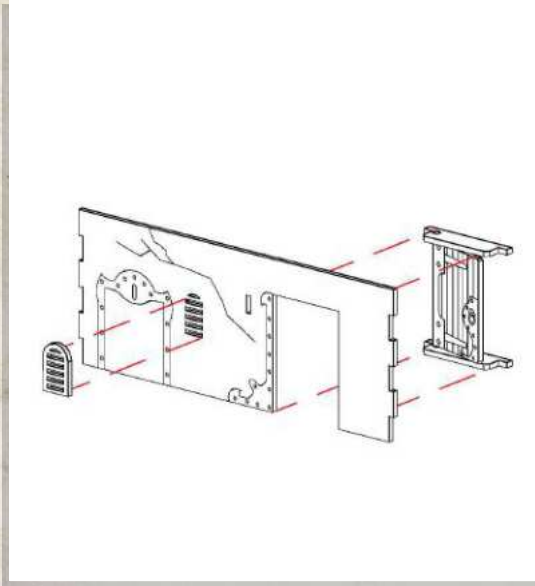




WARCRADLE SCENICS

Rio Sonora - Workshop - Assembly Guide

Parts may need careful removal from the MDF boards with a scalpel, and light sanding of any rough edges. We recommend testing assembling sections before permanently gluing together.

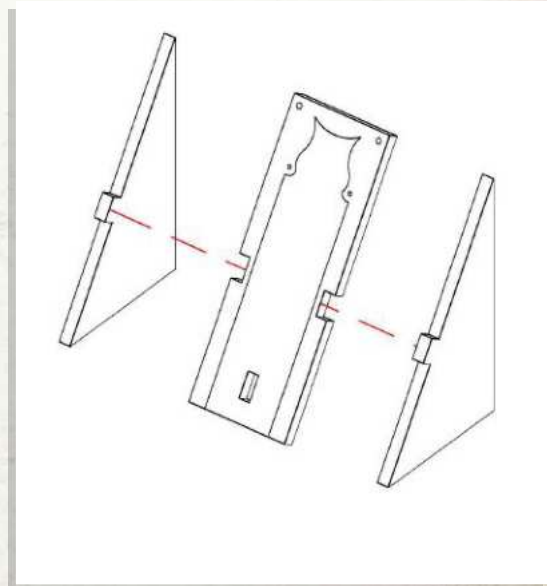
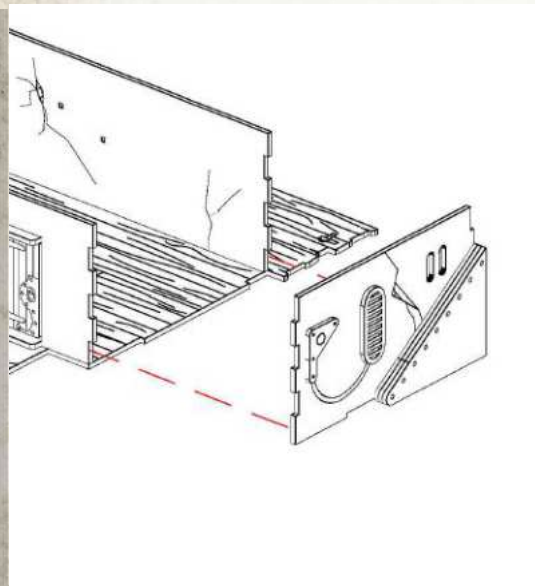
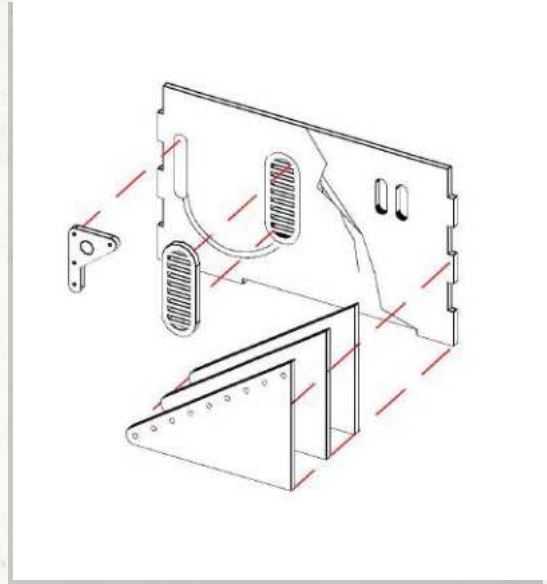
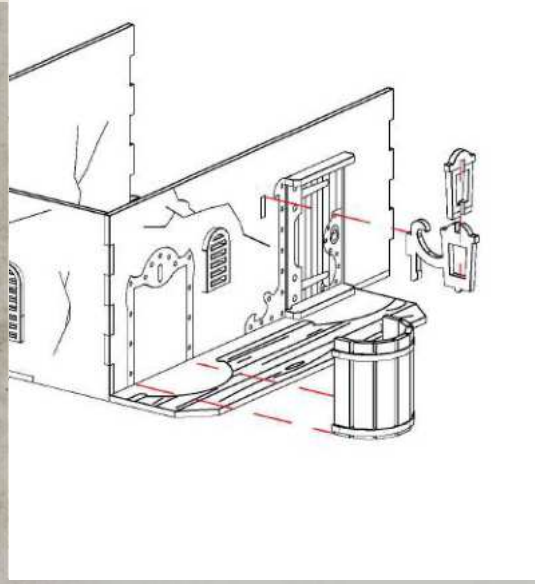




WARCRADLE SCENICS

Rio Sonora - Workshop - Assembly Guide

Parts may need careful removal from the MDF boards with a scalpel, and light sanding of any rough edges. We recommend testing assembling sections before permanently gluing together.



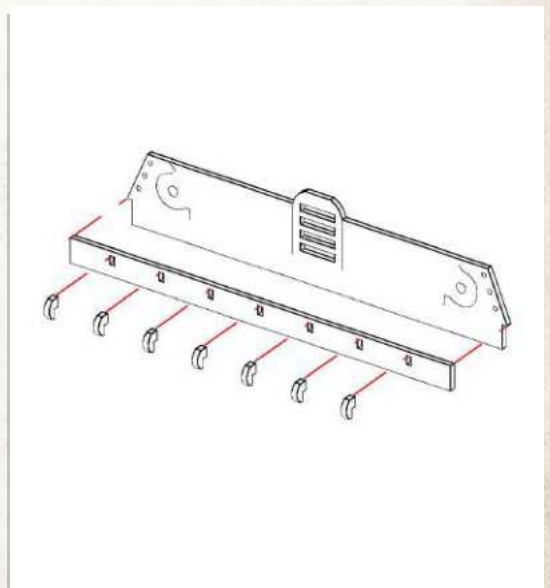
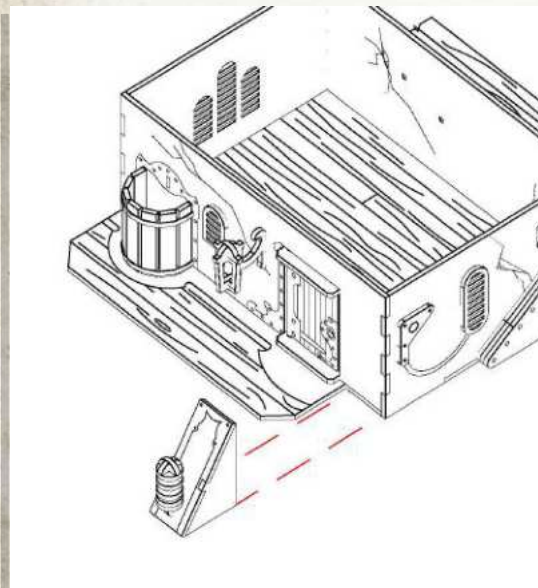
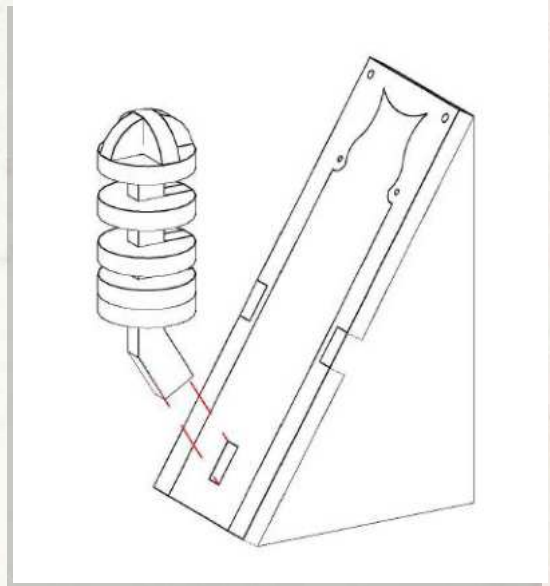
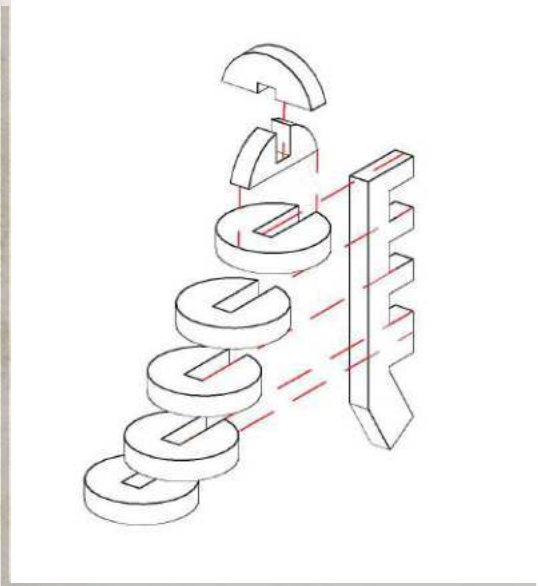
NOTE: To keep access to interior,
do not use glue on wall



WARCRADLE SCENICS

Rio Sonora - Workshop - Assembly Guide

Parts may need careful removal from the MDF boards with a scalpel, and light sanding of any rough edges. We recommend testing assembling sections before permanently gluing together.



WARCRADLE
STUDIOS™

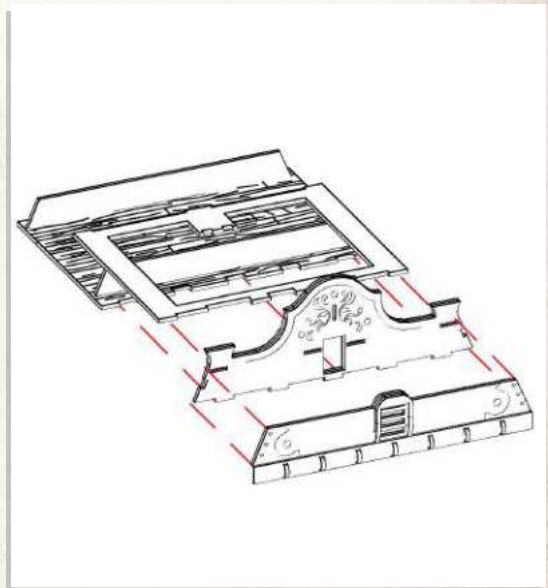
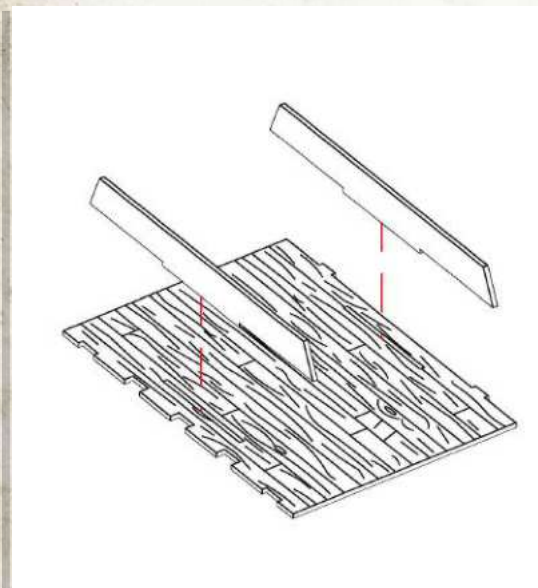
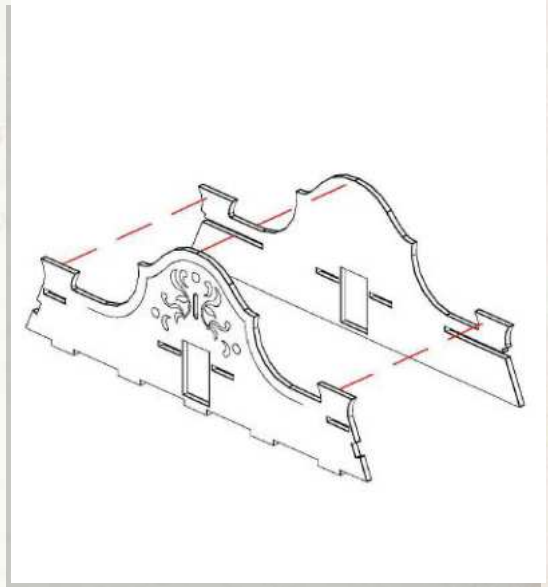
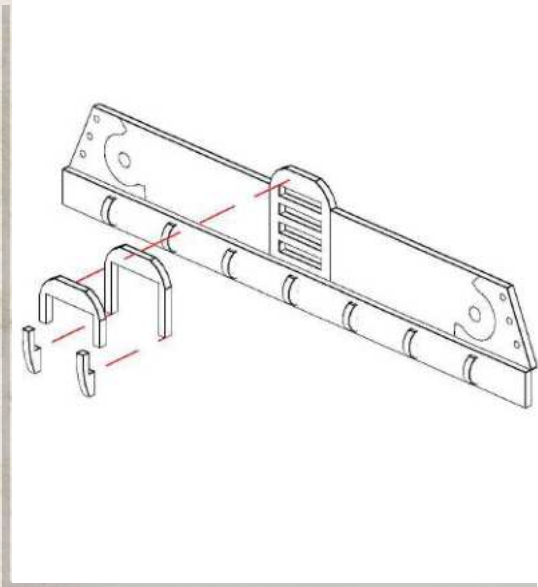
WARCRADLE STUDIOS IS A TRADING NAME OF WAYLAND GAMES LIMITED. WILD WEST EXODUS IS A TRADING NAME OF WAYLAND GAMES LIMITED. ILLUSTRATIONS AND DESIGNS ARE COPYRIGHT © 2020 WAYLAND GAMES LIMITED, ASSEMBLED IN THE UK.



WARCRADLE SCENICS

Rio Sonora - Workshop - Assembly Guide

Parts may need careful removal from the MDF boards with a scalpel, and light sanding of any rough edges. We recommend testing assembling sections before permanently gluing together.



WARCRADLE
STUDIOS™

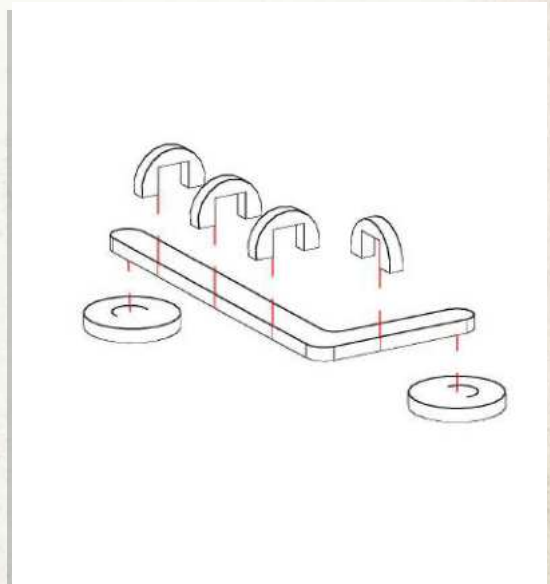
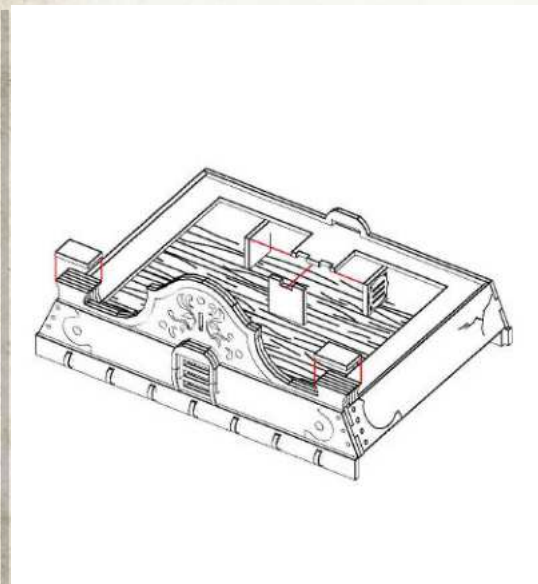
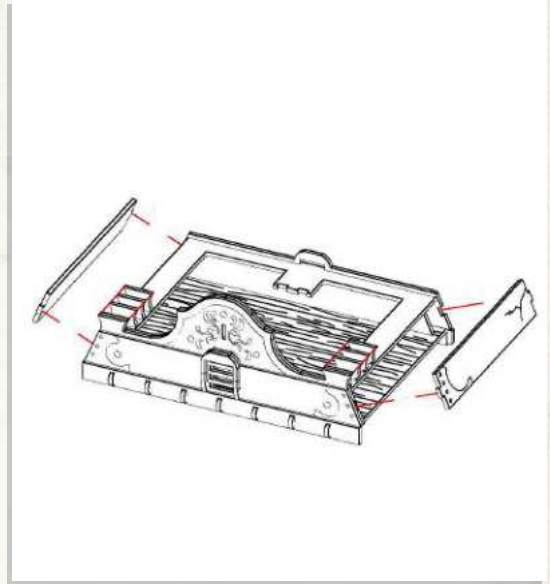
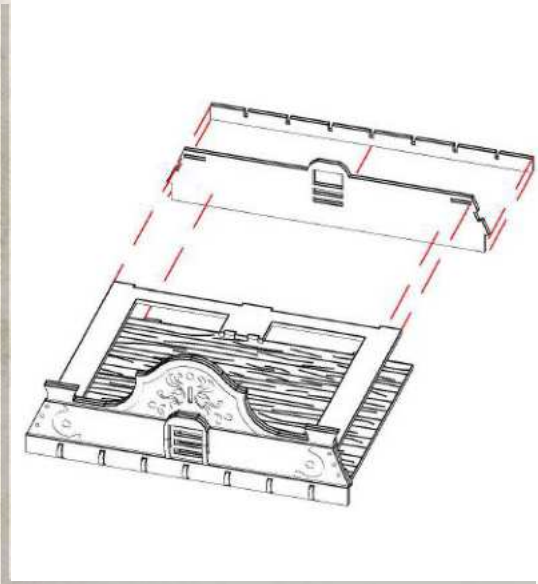
WARCRADLE STUDIOS IS A TRADING NAME OF WAYLAND GAMES LIMITED. WILD WEST EXODUS IS A TRADING NAME OF WAYLAND GAMES LIMITED. ILLUSTRATIONS AND DESIGNS ARE COPYRIGHT © 2020 WAYLAND GAMES LIMITED. ASSEMBLED IN THE UK.



WARCRADLE SCENICS

Rio Sonora - Workshop - Assembly Guide

Parts may need careful removal from the MDF boards with a scalpel, and light sanding of any rough edges. We recommend testing assembling sections before permanently gluing together.



WARCRADLE
STUDIOS™

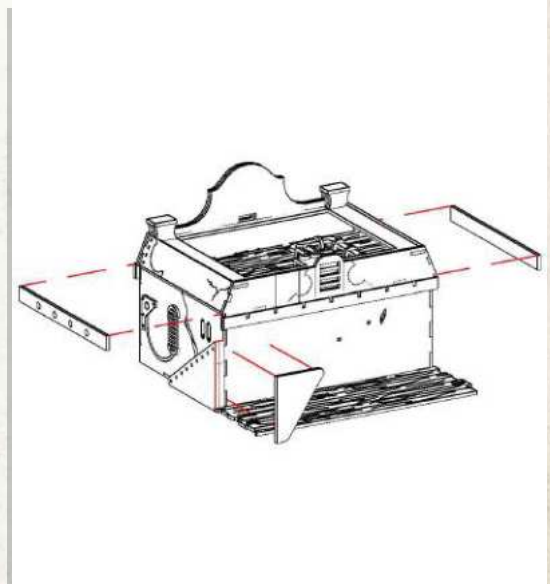
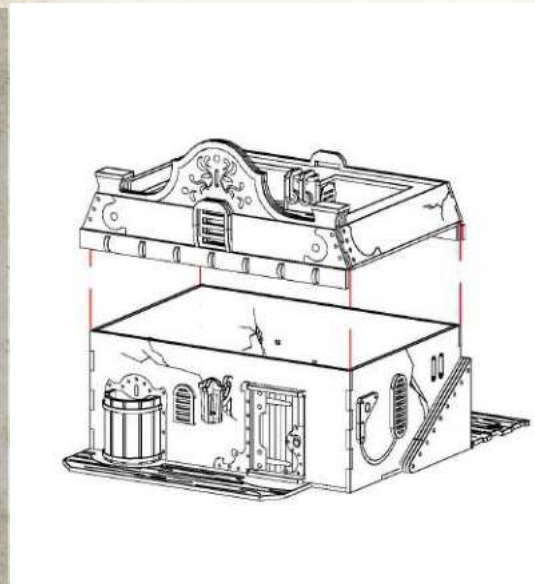
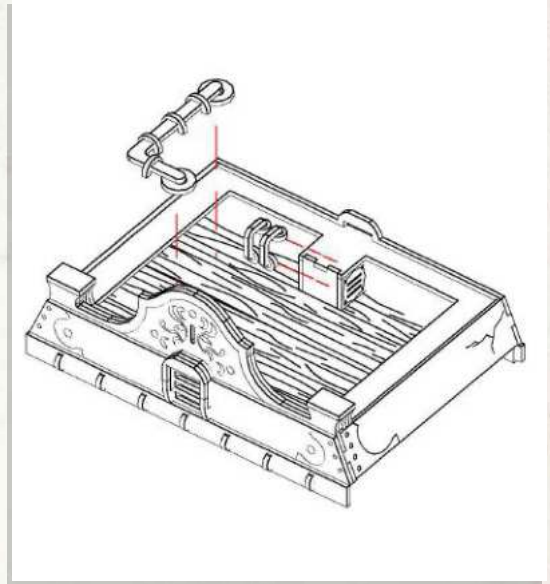
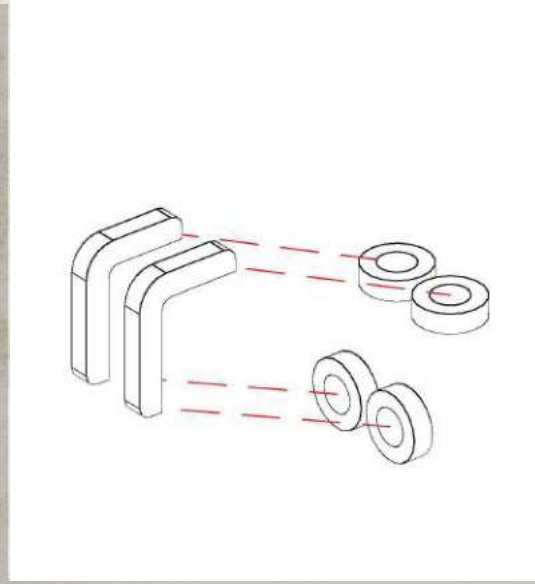
WARCRADLE STUDIOS IS A TRADING NAME OF WAYLAND GAMES LIMITED. WILD WEST EXODUS IS A TRADING NAME OF WAYLAND GAMES LIMITED. ILLUSTRATIONS AND DESIGNS ARE COPYRIGHT © 2020 WAYLAND GAMES LIMITED, ASSEMBLED IN THE UK.



WARCRADLE SCENICS

Rio Sonora - Workshop - Assembly Guide

Parts may need careful removal from the MDF boards with a scalpel, and light sanding of any rough edges. We recommend testing assembling sections before permanently gluing together.



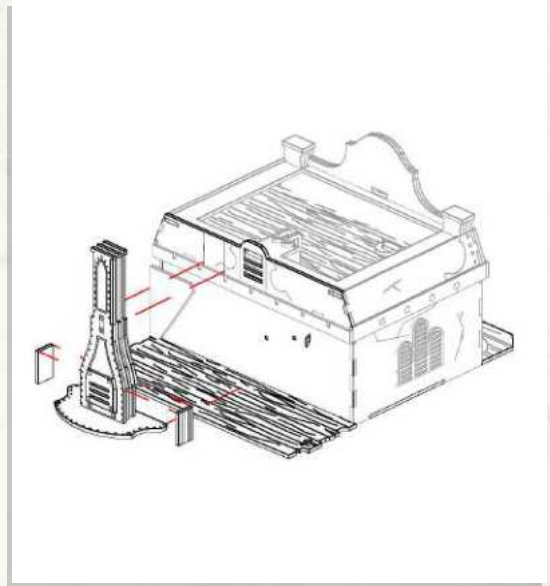
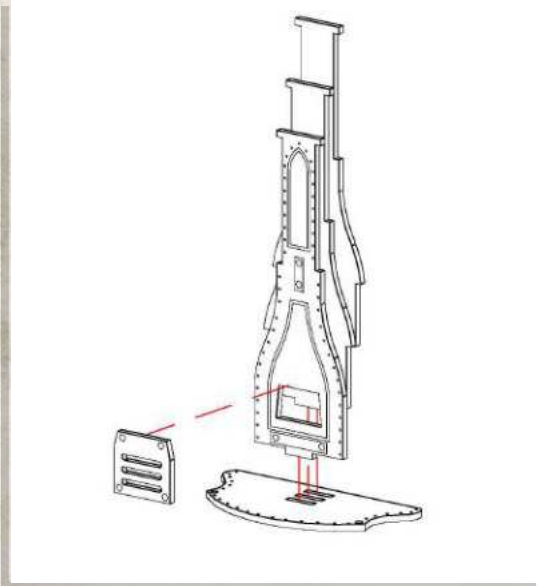
NOTE: Do not use glue red highlighted area



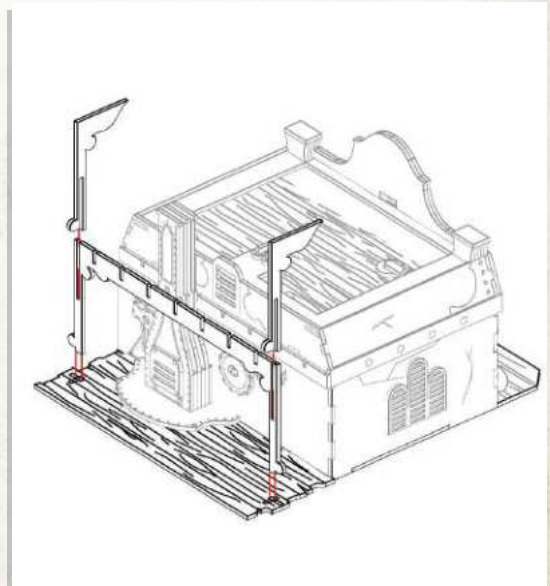
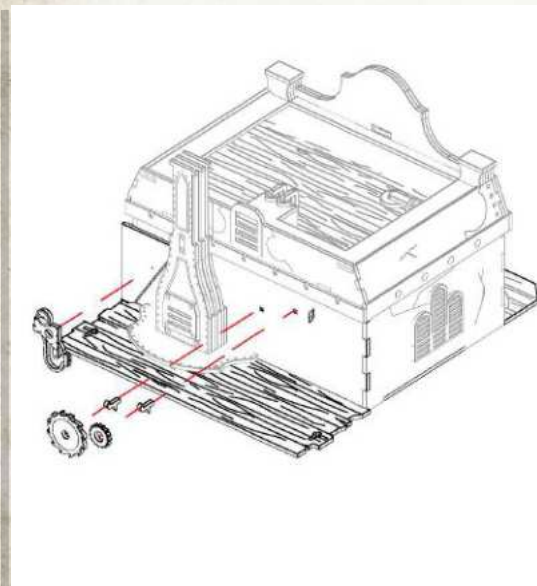
WARCRADLE SCENICS

Rio Sonora - Workshop - Assembly Guide

Parts may need careful removal from the MDF boards with a scalpel, and light sanding of any rough edges. We recommend testing assembling sections before permanently gluing together.



NOTE: Align the chimney with the vertical lines on the back wall



WARCRADLE
STUDIOS

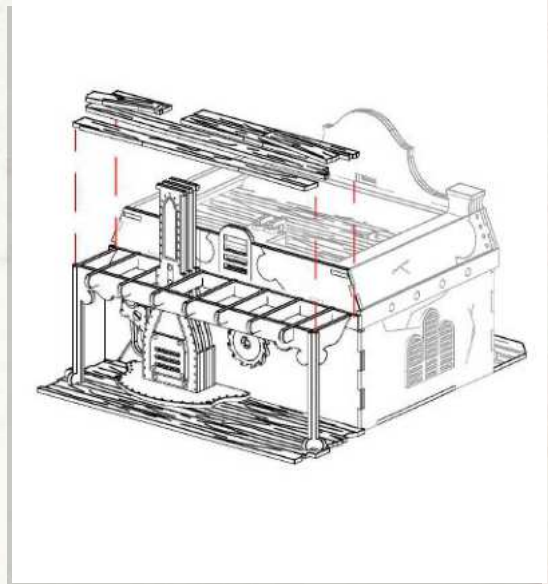
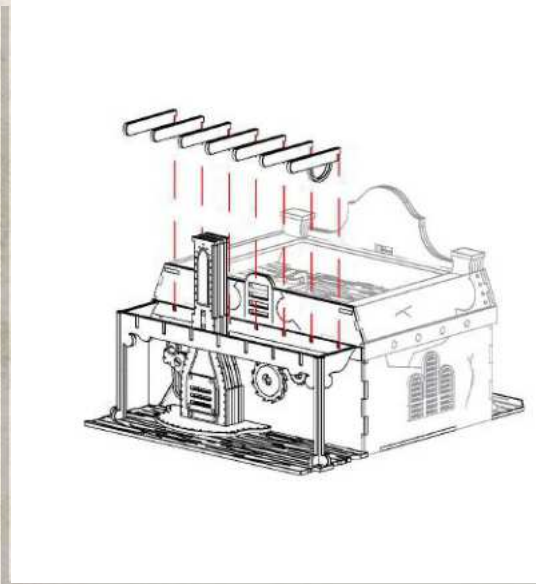
WARCRADLE STUDIOS IS A TRADING NAME OF WAYLAND GAMES LIMITED. WILD WEST EXODUS IS A TRADING NAME OF WAYLAND GAMES LIMITED. ILLUSTRATIONS AND DESIGNS ARE COPYRIGHT © 2020 WAYLAND GAMES LIMITED, ASSEMBLED IN THE UK.



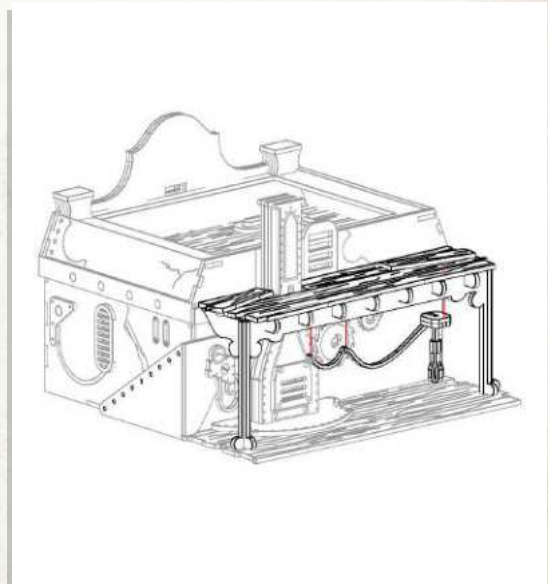
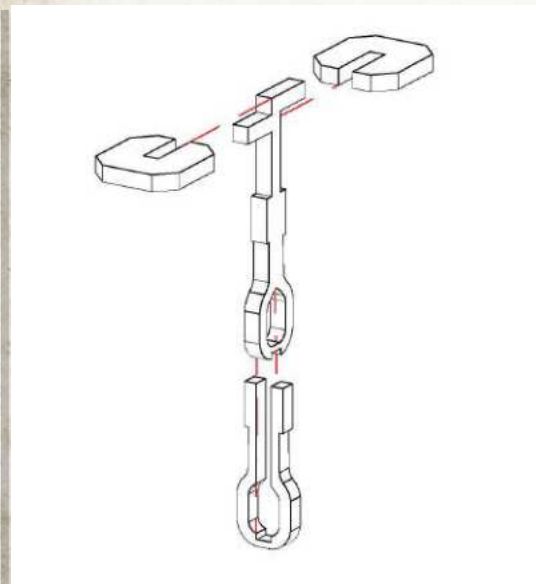
WARCRADLE
SCENICS

Rio Sonora - Workshop - Assembly Guide

Parts may need careful removal from the MDF boards with a scalpel, and light sanding of any rough edges. We recommend testing assembling sections before permanently gluing together.



NOTE: Glue the thin loose planks in any arrangement to form the shelter



NOTE: Glue the light and wire to the underside of the shelter beams



WARCRADLE
STUDIOS

TM

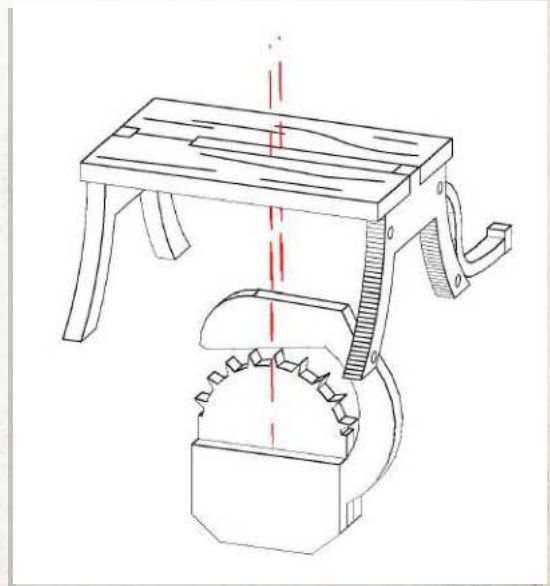
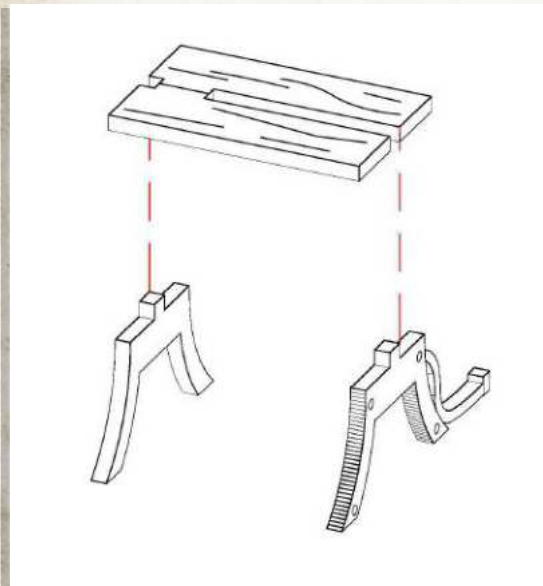
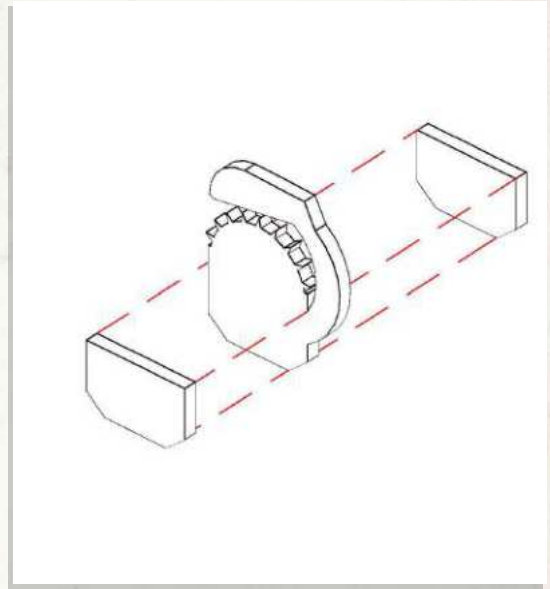
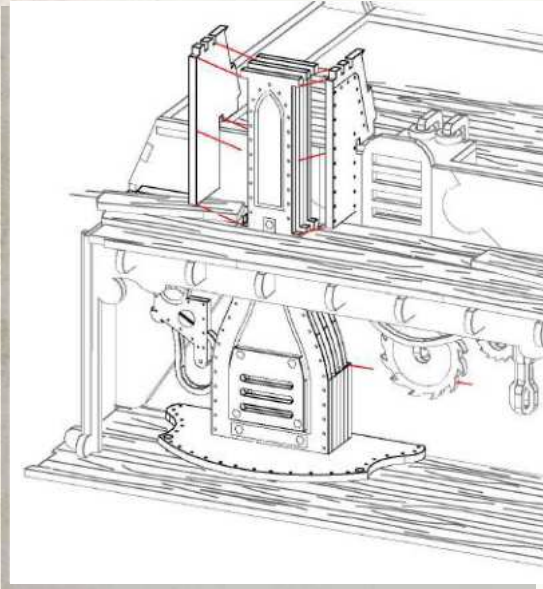
WARCRADLE STUDIOS IS A TRADING NAME OF WAYLAND GAMES LIMITED. WILD WEST EXODUS IS A TRADING NAME OF WAYLAND GAMES LIMITED. ILLUSTRATIONS AND DESIGNS ARE COPYRIGHT © 2020 WAYLAND GAMES LIMITED, ASSEMBLED IN THE UK.



WARCRADLE
SCENICS

Rio Sonora - Workshop - Assembly Guide

Parts may need careful removal from the MDF boards with a scalpel, and light sanding of any rough edges. We recommend testing assembling sections before permanently gluing together.



WARCRADLE
STUDIOS

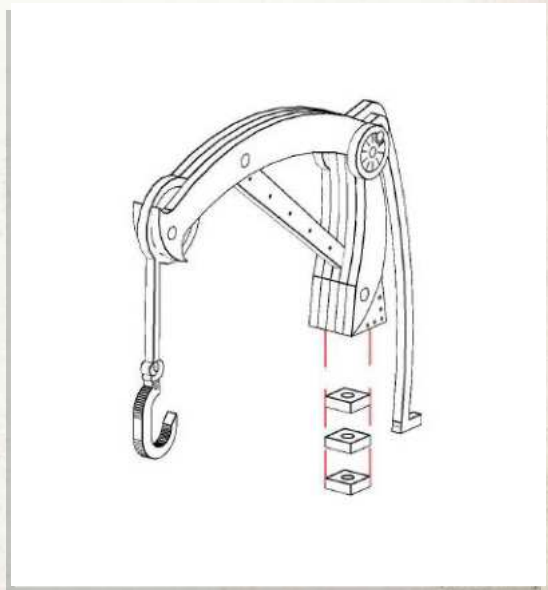
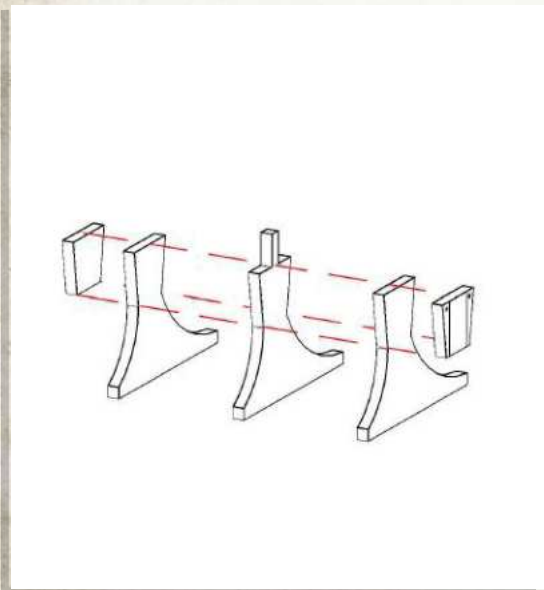
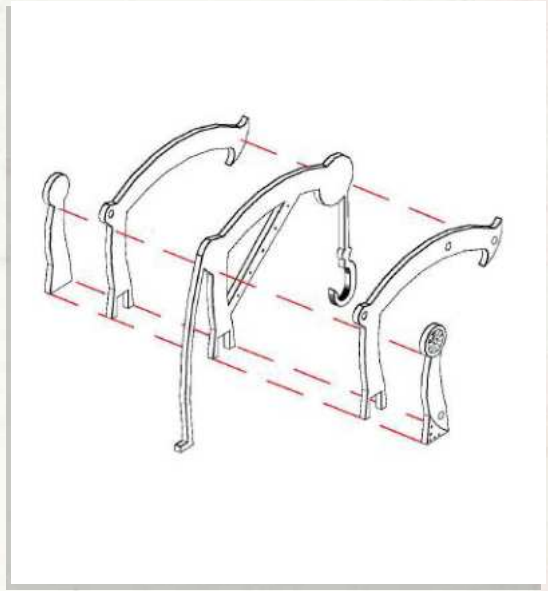
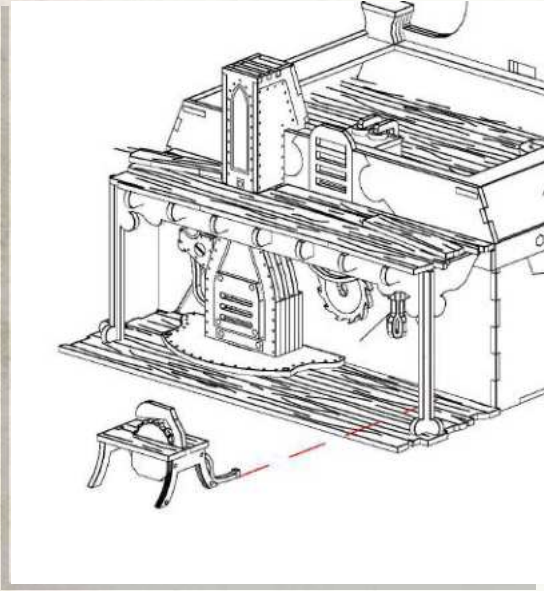
WARCRADLE STUDIOS IS A TRADING NAME OF WAYLAND GAMES LIMITED. WILD WEST EXODUS IS A TRADING NAME OF WAYLAND GAMES LIMITED. ILLUSTRATIONS AND DESIGNS ARE COPYRIGHT © 2020 WAYLAND GAMES LIMITED, ASSEMBLED IN THE UK.



WARCRADLE SCENICS

Rio Sonora - Workshop - Assembly Guide

Parts may need careful removal from the MDF boards with a scalpel, and light sanding of any rough edges. We recommend testing assembling sections before permanently gluing together.

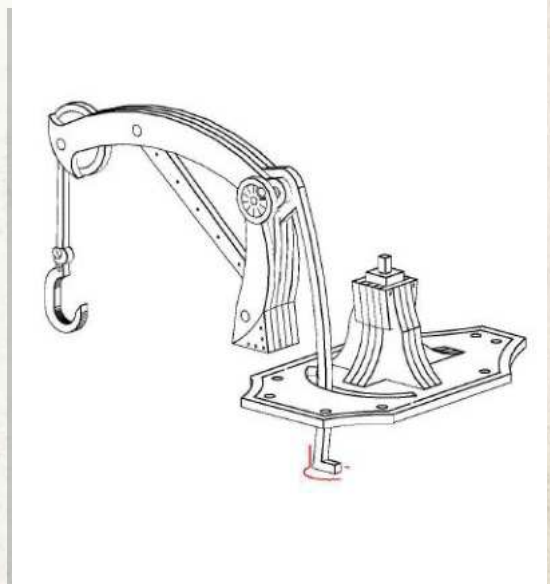
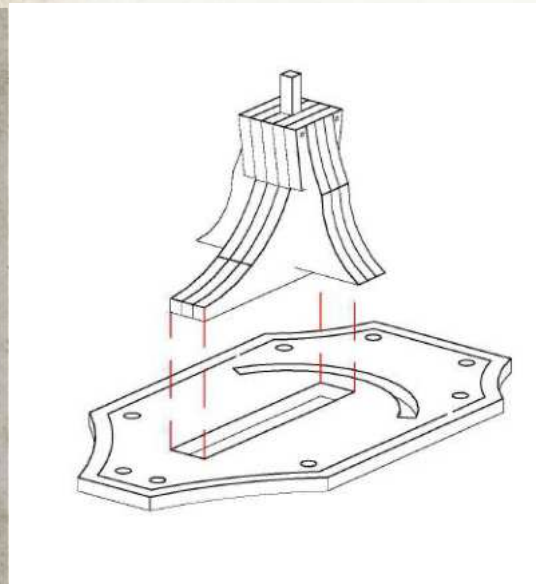
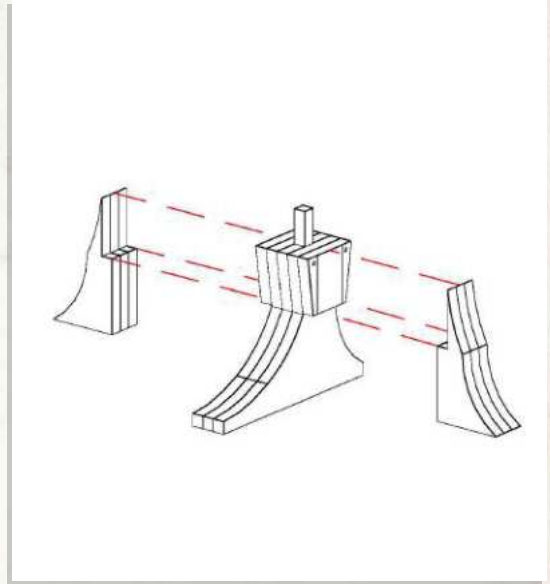
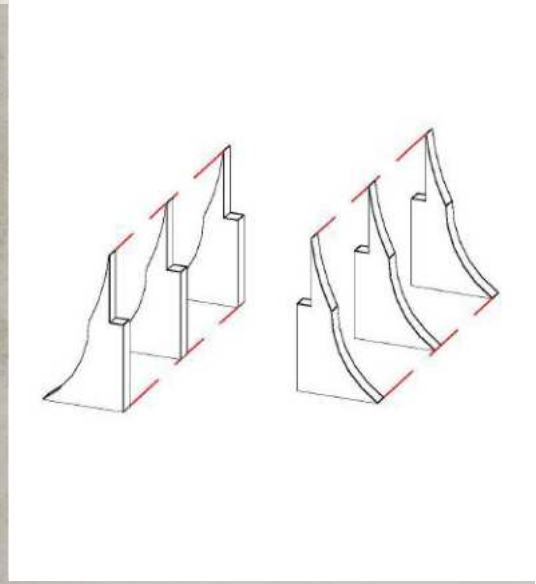




WARCRADLE SCENICS

Rio Sonora - Workshop - Assembly Guide

Parts may need careful removal from the MDF boards with a scalpel, and light sanding of any rough edges. We recommend testing assembling sections before permanently gluing together.



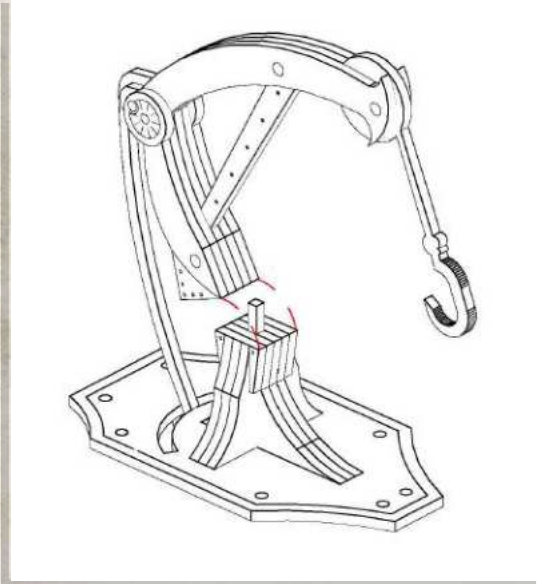
NOTE: Do not use glue. Fit the extended foot through the gap in the floor plate, then rotate and lift the crane back up



WARCRADLE
SCENICS

Rio Sonora - Workshop - Assembly Guide

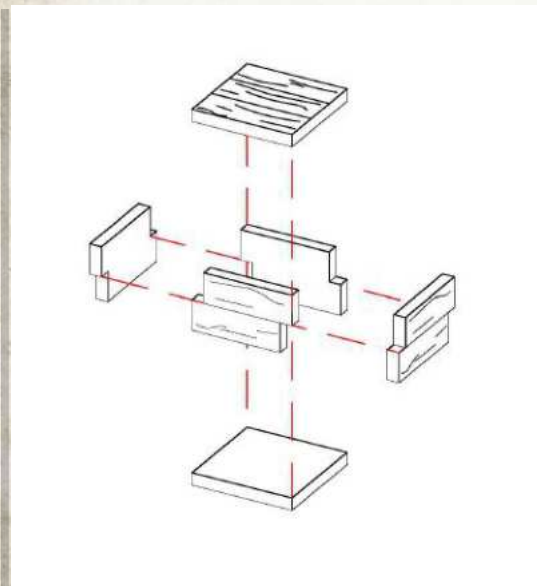
Parts may need careful removal from the MDF boards with a scalpel, and light sanding of any rough edges. We recommend testing assembling sections before permanently gluing together.



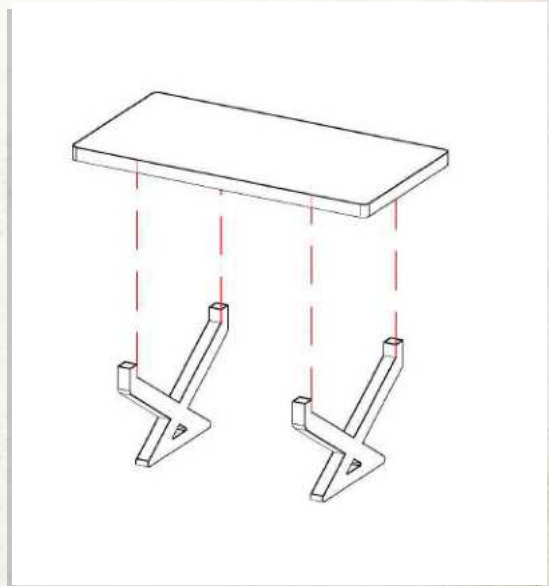
NOTE: Do not use glue. Fit the crane on top of the base, keeping the extended foot under the floor plate



NOTE: Do not use glue near the extended foot. The crane can now be rotated to different positions



NOTE: Repeat for all boxes



WARCRADLE
STUDIOS

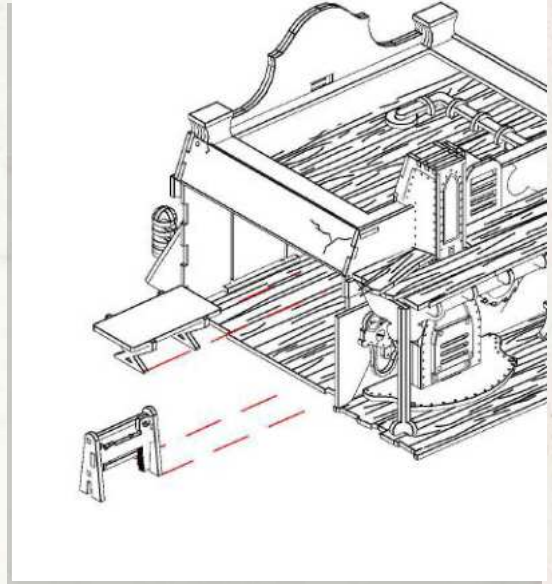
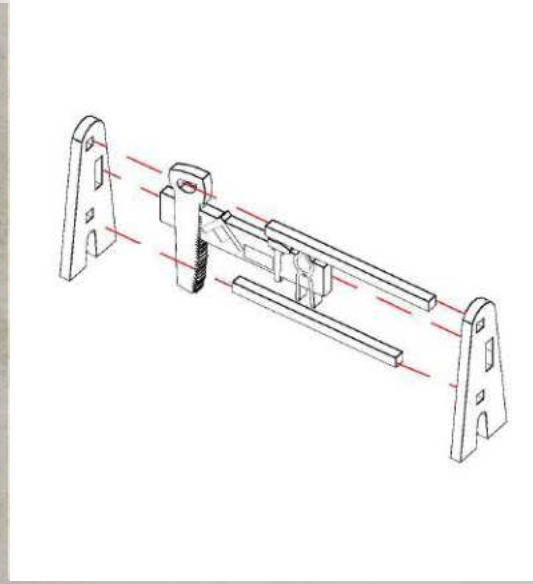
WARCRADLE STUDIOS IS A TRADING NAME OF WAYLAND GAMES LIMITED. WILD WEST EXODUS IS A TRADING NAME OF WAYLAND GAMES LIMITED. ILLUSTRATIONS AND DESIGNS ARE COPYRIGHT © 2020 WAYLAND GAMES LIMITED. ASSEMBLED IN THE UK.



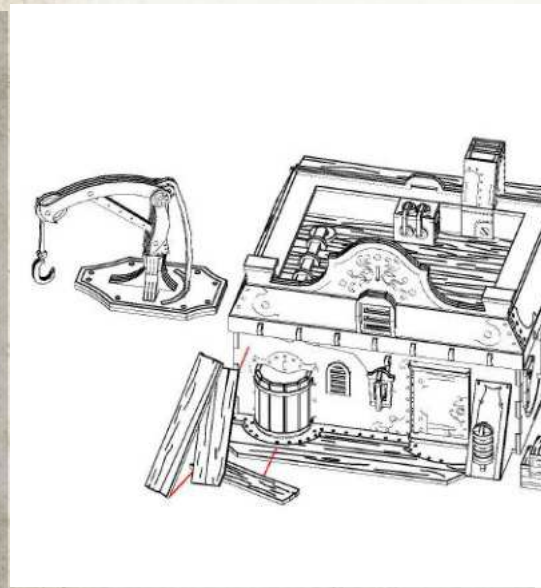
WARCRADLE SCENICS

Rio Sonora - Workshop - Assembly Guide

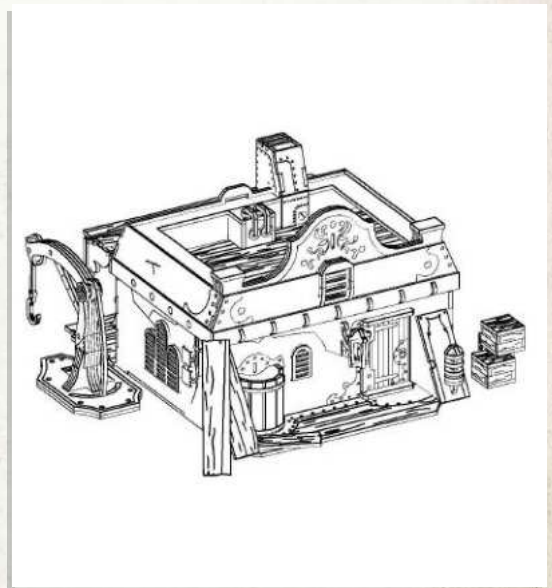
Parts may need careful removal from the MDF boards with a scalpel, and light sanding of any rough edges. We recommend testing assembling sections before permanently gluing together.



NOTE: Place these pieces anywhere in the interior



NOTE: Loose planks can be placed anywhere



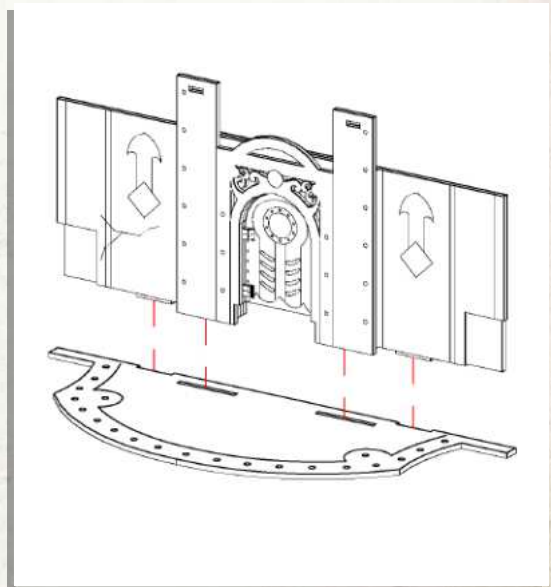
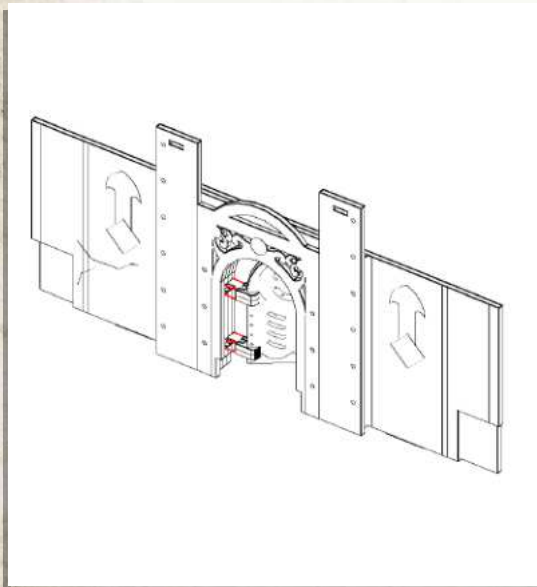
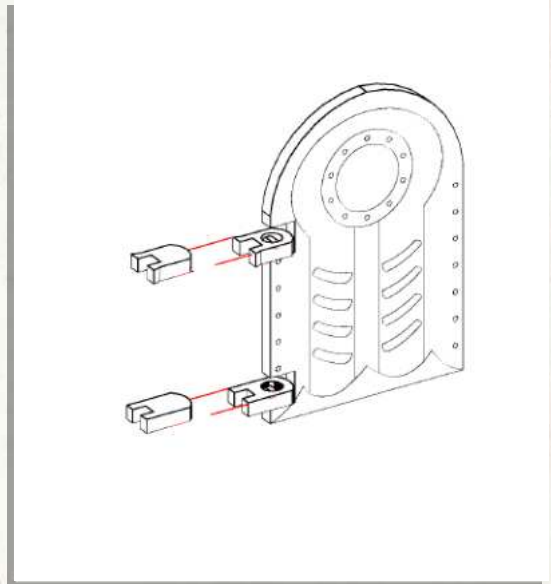
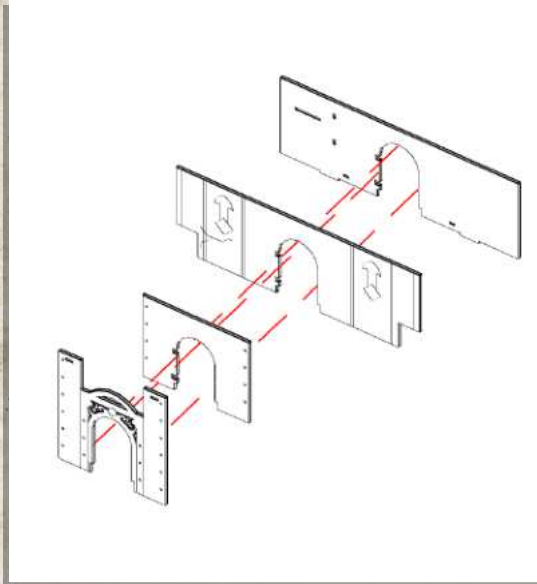
WARCRADLE STUDIOS IS A TRADING NAME OF WAYLAND GAMES LIMITED. WILD WEST EXODUS IS A TRADING NAME OF WAYLAND GAMES LIMITED. ILLUSTRATIONS AND DESIGNS ARE COPYRIGHT © 2020 WAYLAND GAMES LIMITED, ASSEMBLED IN THE UK.



WARCRADLE SCENICS

Rio Sonora - Town Hall - Assembly Guide

Parts may need careful removal from the MDF boards with a scalpel, and light sanding of any rough edges. We recommend testing assembling sections before permanently gluing together.

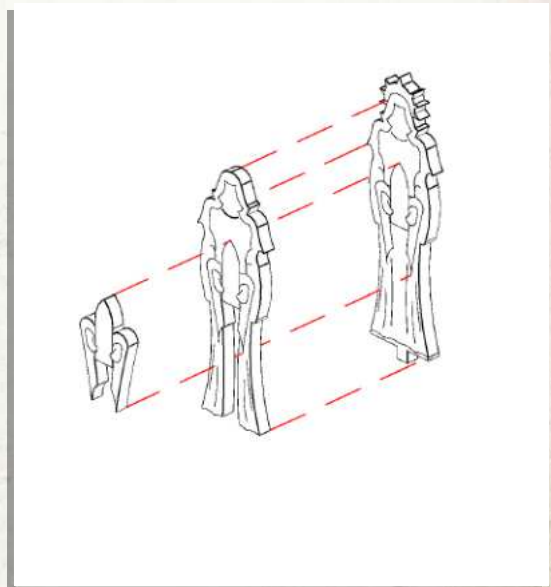
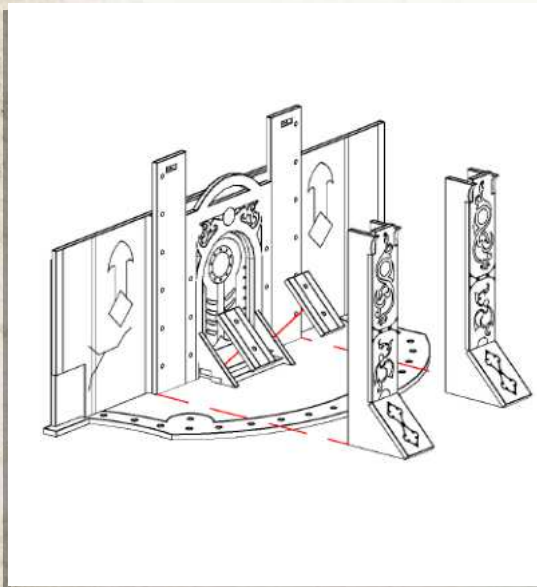
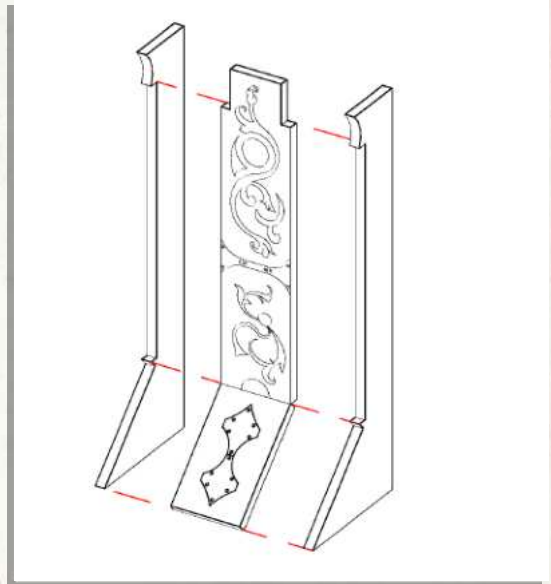
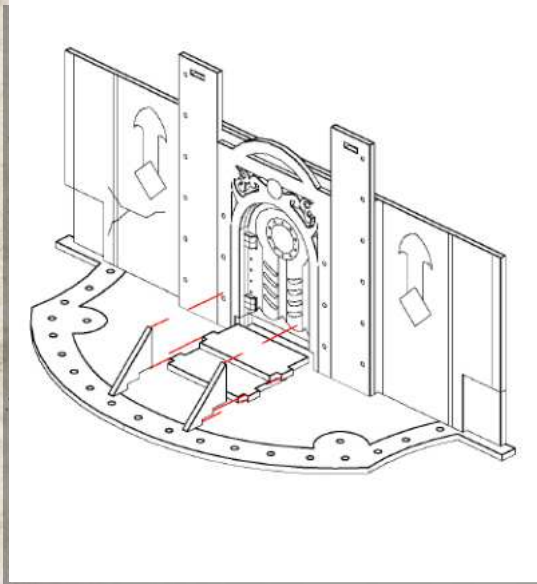




WARCRADLE SCENICS

Rio Sonora - Town Hall - Assembly Guide

Parts may need careful removal from the MDF boards with a scalpel, and light sanding of any rough edges. We recommend testing assembling sections before permanently gluing together.

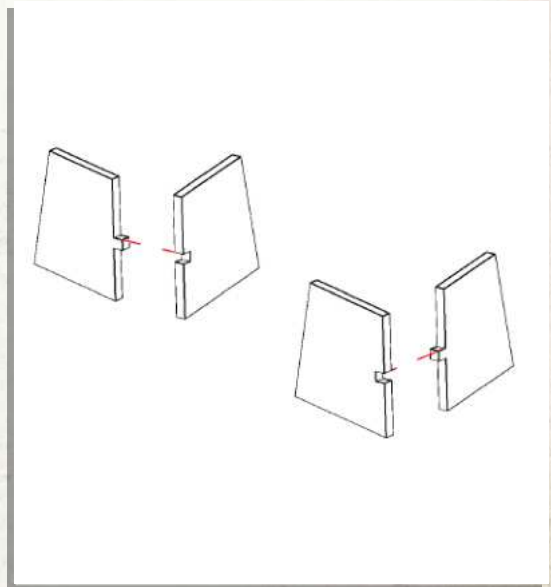
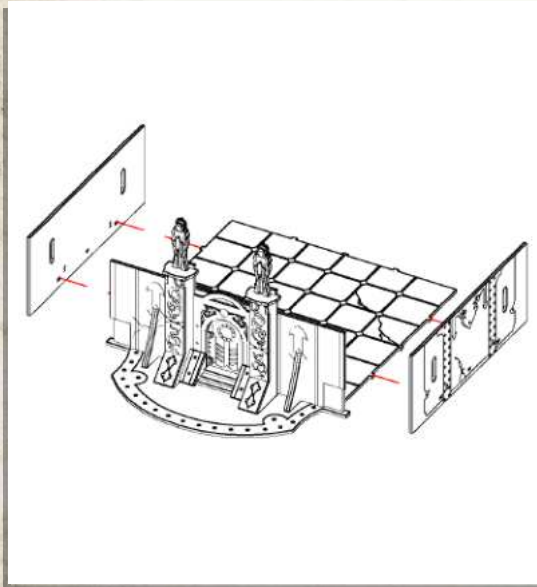
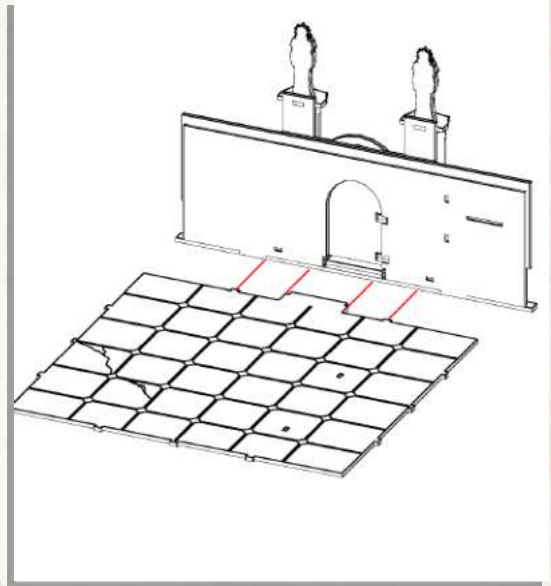
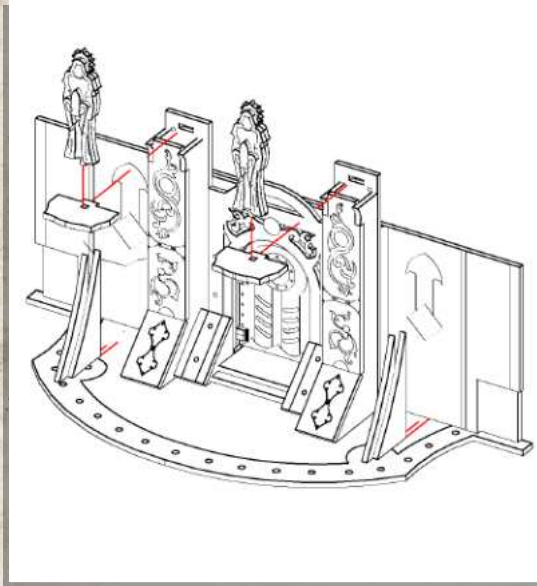




WARCRADLE SCENICS

Rio Sonora - Town Hall - Assembly Guide

Parts may need careful removal from the MDF boards with a scalpel, and light sanding of any rough edges. We recommend testing assembling sections before permanently gluing together.

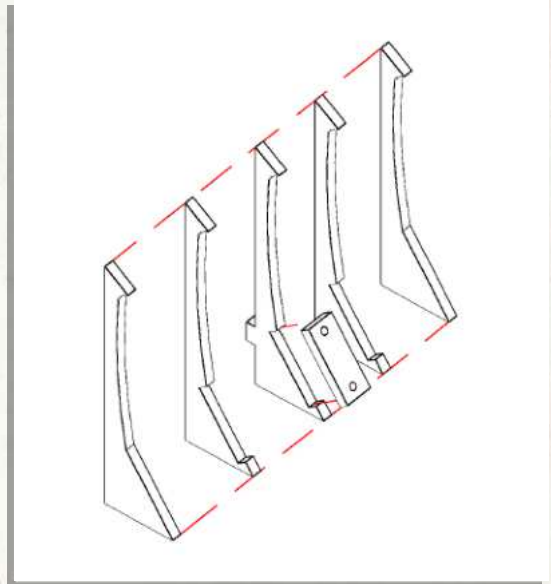
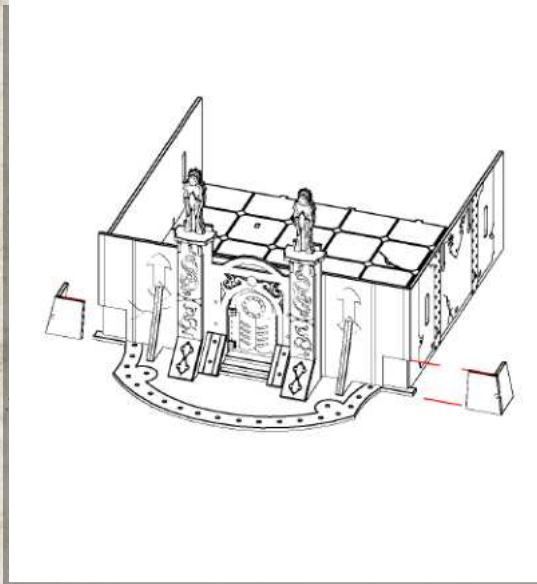




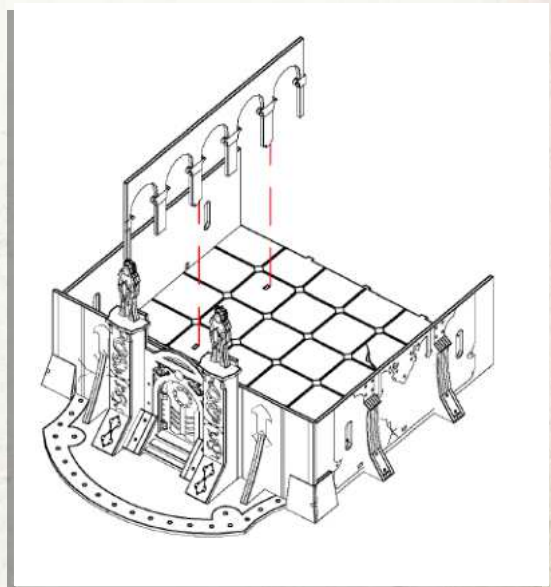
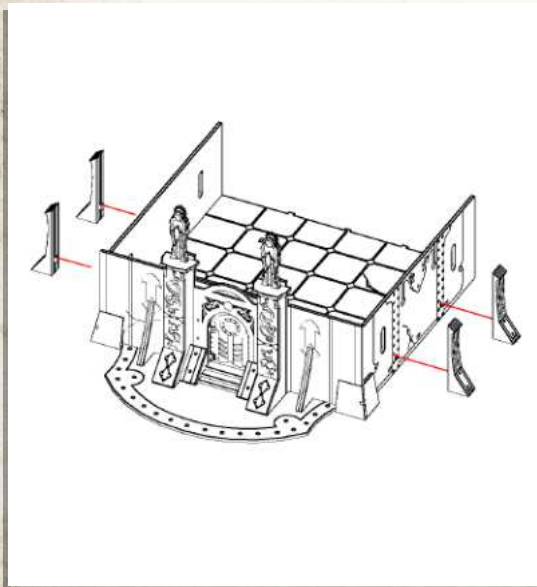
WARCRADLE SCENICS

Rio Sonora - Town Hall - Assembly Guide

Parts may need careful removal from the MDF boards with a scalpel, and light sanding of any rough edges. We recommend testing assembling sections before permanently gluing together.



NOTE: Repeat for all four

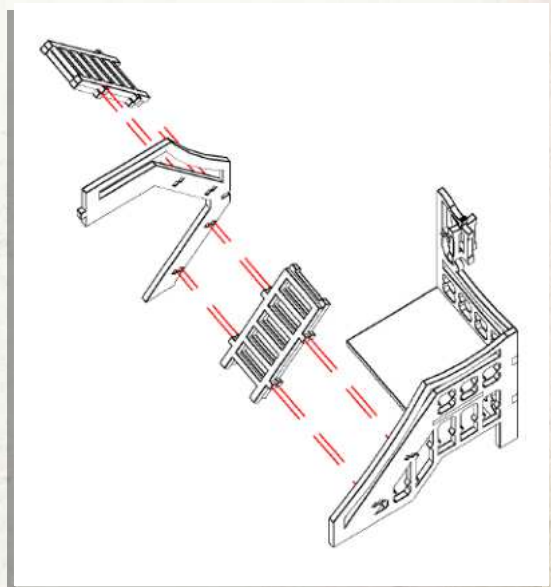
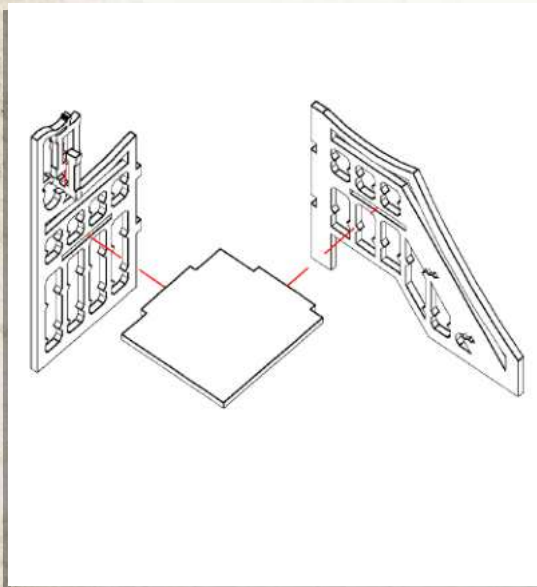
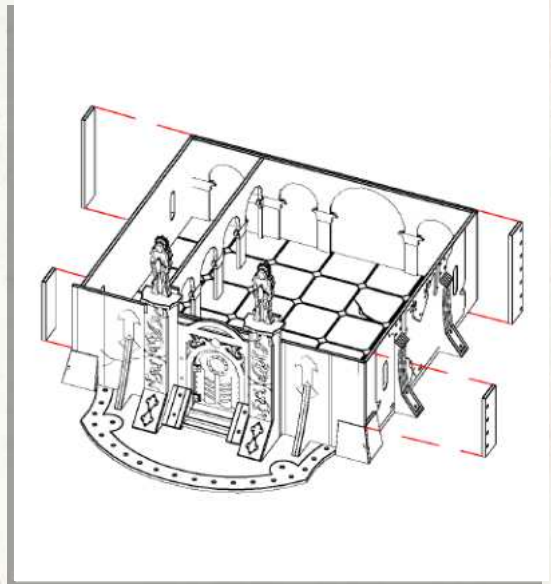
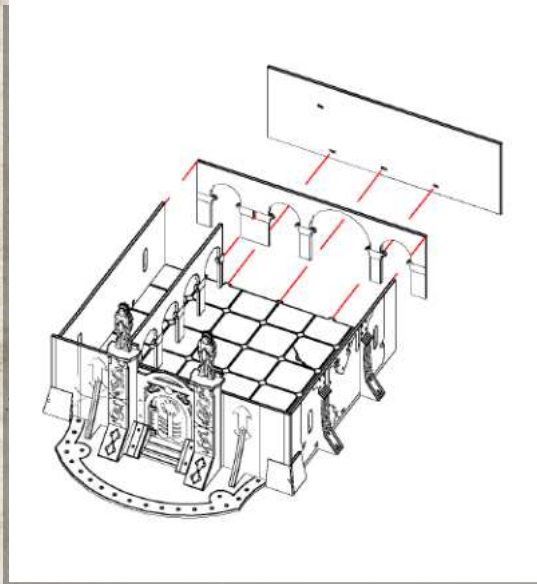




WARCRADLE SCENICS

Rio Sonora - Town Hall - Assembly Guide

Parts may need careful removal from the MDF boards with a scalpel, and light sanding of any rough edges. We recommend testing assembling sections before permanently gluing together.

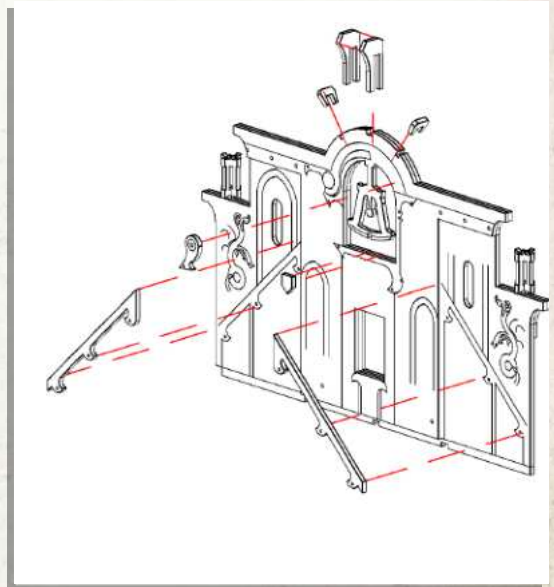
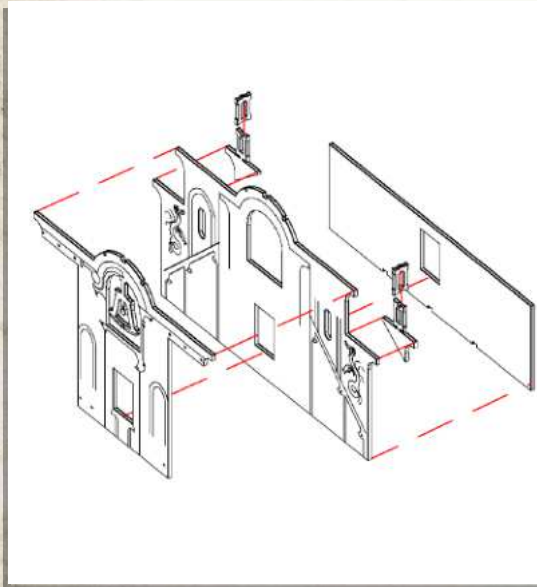
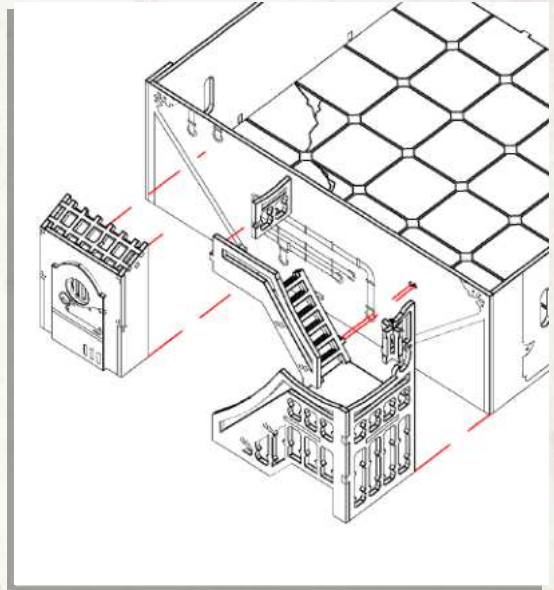
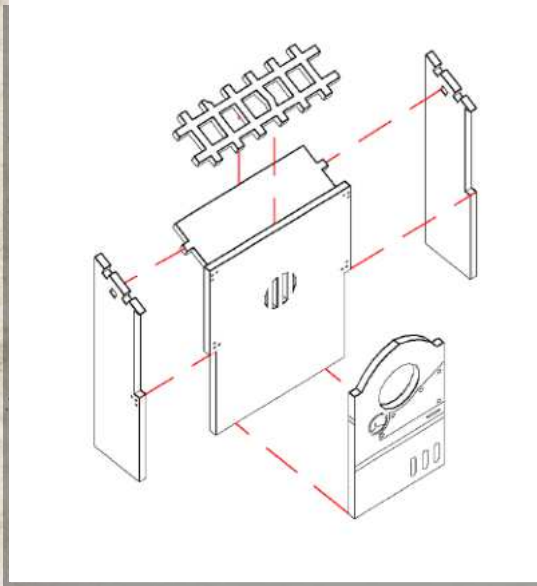




WARCRADLE SCENICS

Rio Sonora - Town Hall - Assembly Guide

Parts may need careful removal from the MDF boards with a scalpel, and light sanding of any rough edges. We recommend testing assembling sections before permanently gluing together.

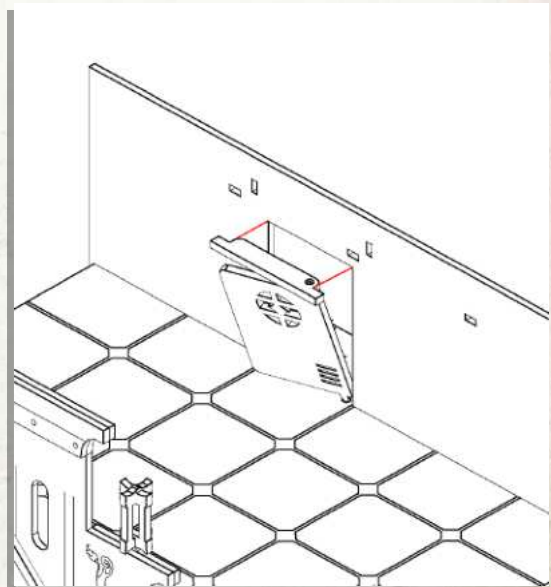
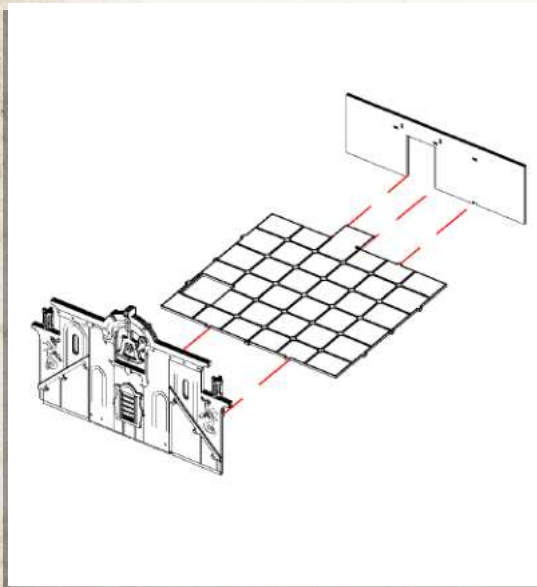
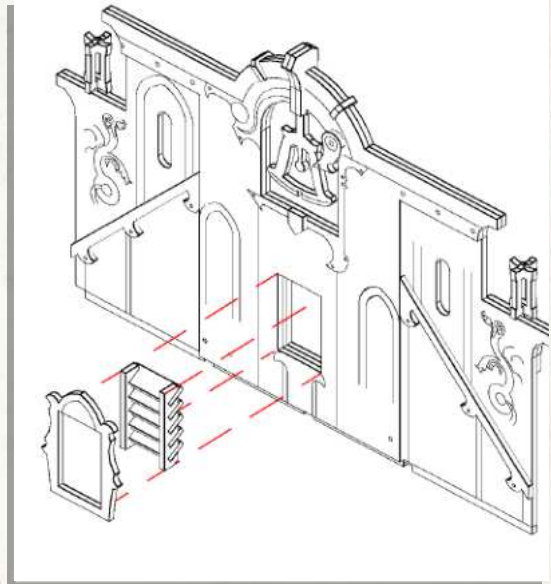
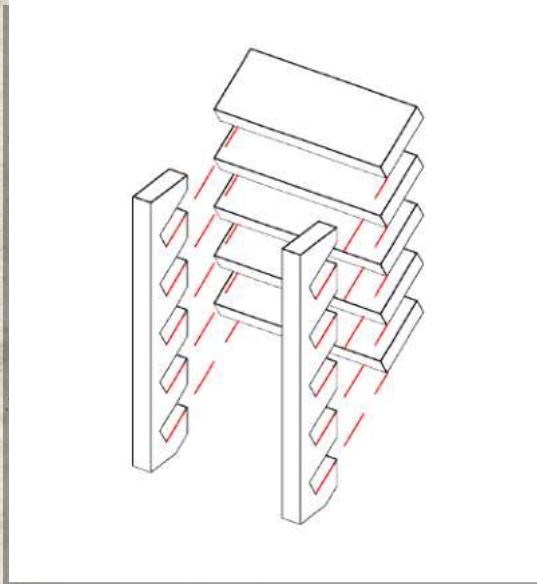




WARCRADLE SCENICS

Rio Sonora - Town Hall - Assembly Guide

Parts may need careful removal from the MDF boards with a scalpel, and light sanding of any rough edges. We recommend testing assembling sections before permanently gluing together.

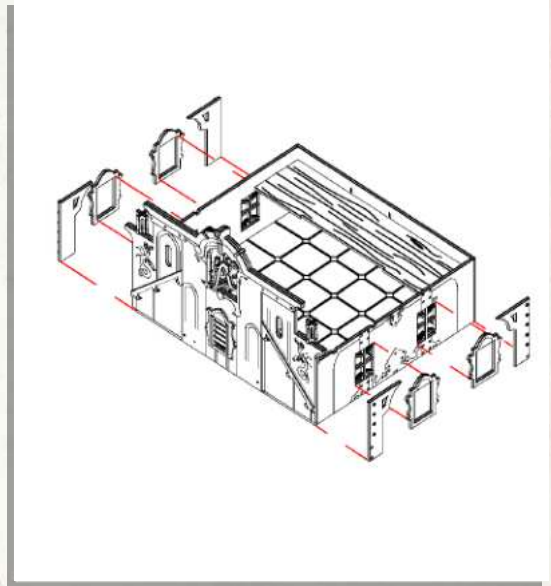
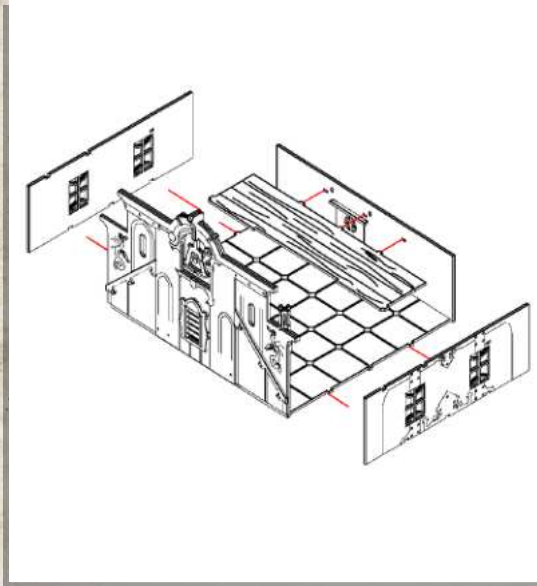




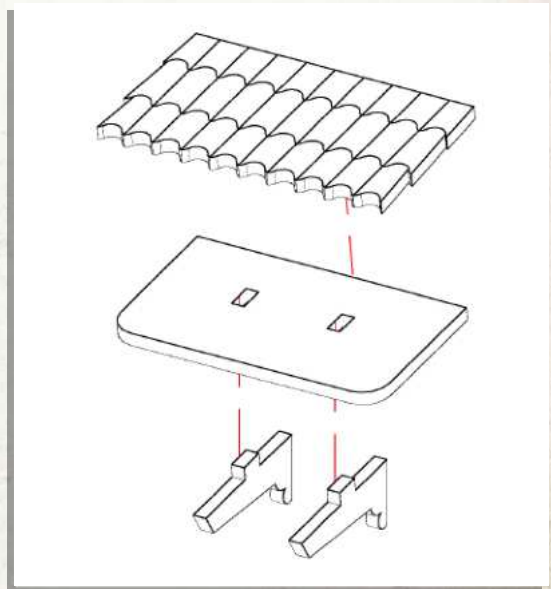
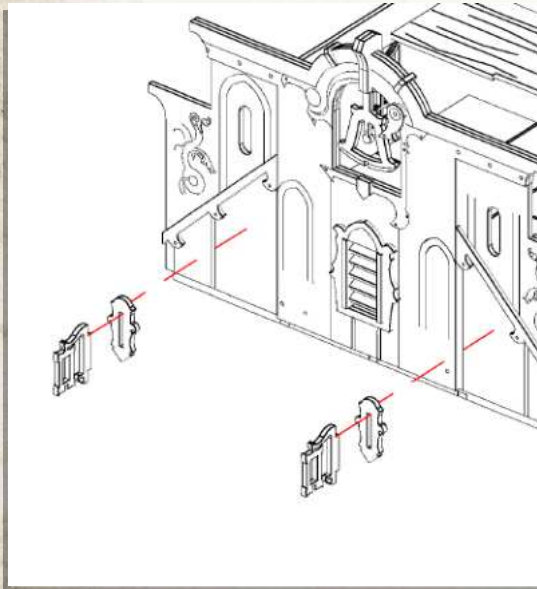
WARCRADLE SCENICS

Rio Sonora - Town Hall - Assembly Guide

Parts may need careful removal from the MDF boards with a scalpel, and light sanding of any rough edges. We recommend testing assembling sections before permanently gluing together.



NOTE: Line up parts G21 with the bottom edge of D5/E5

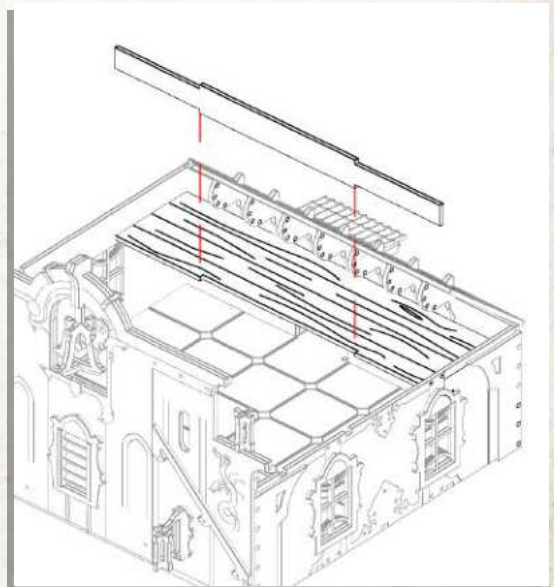
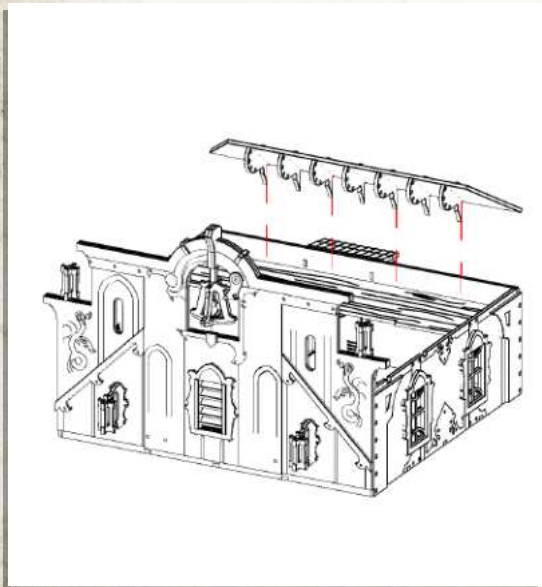
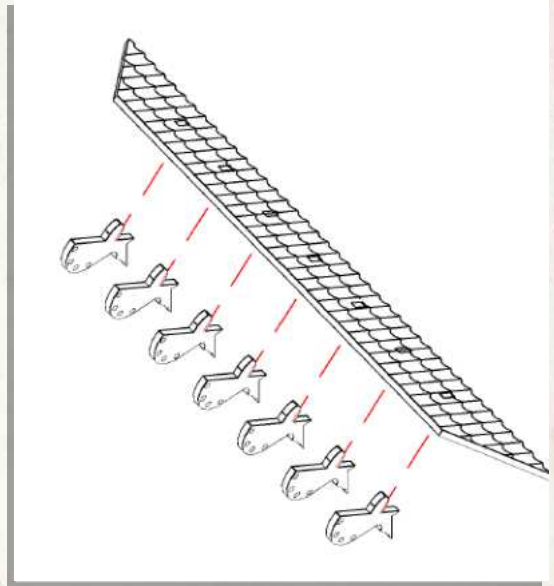
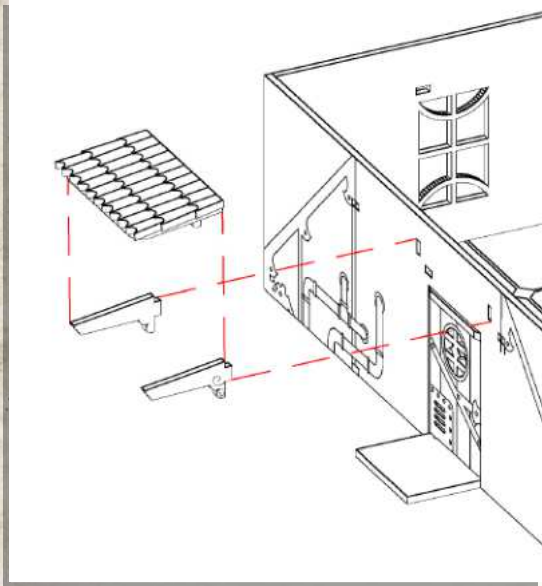




WARCRADLE SCENICS

Rio Sonora - Town Hall - Assembly Guide

Parts may need careful removal from the MDF boards with a scalpel, and light sanding of any rough edges. We recommend testing assembling sections before permanently gluing together.

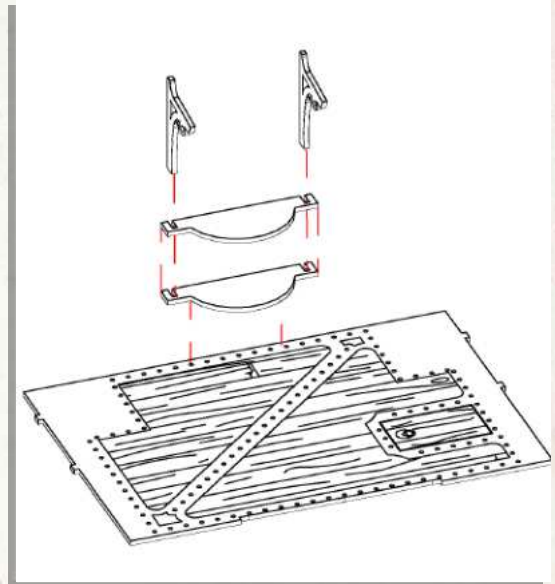
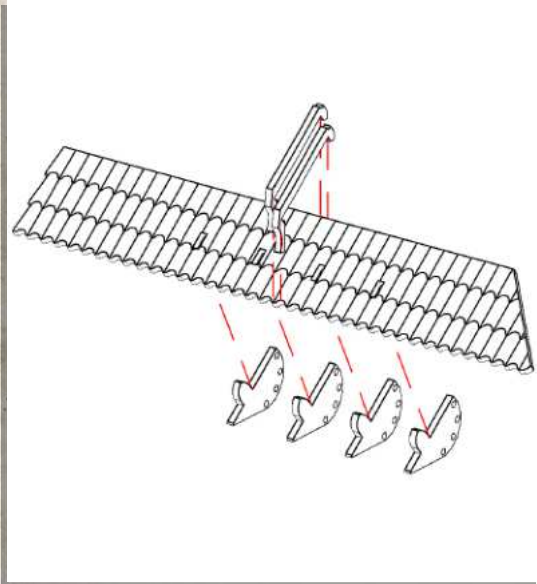




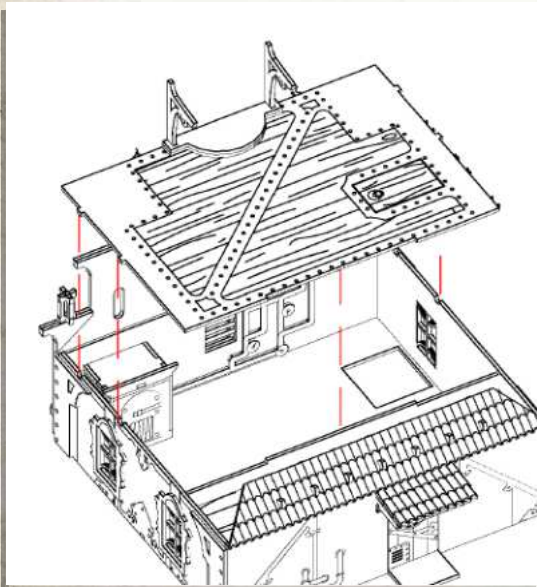
WARCRADLE
SCENICS

Rio Sonora - Town Hall - Assembly Guide

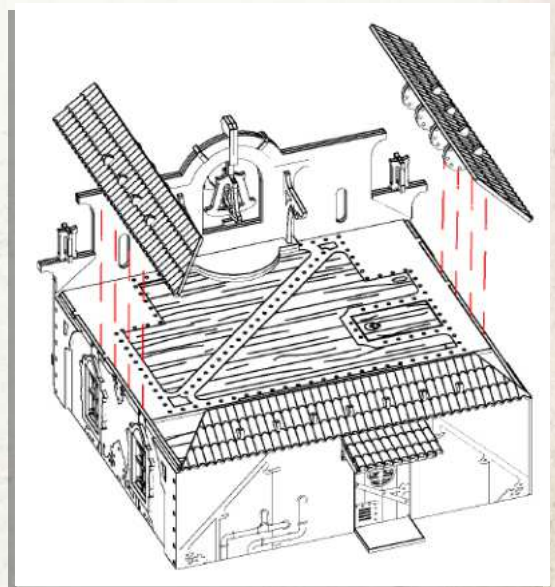
Parts may need careful removal from the MDF boards with a scalpel, and light sanding of any rough edges. We recommend testing assembling sections before permanently gluing together.



NOTE: Repeat for the opposite side of the roof



NOTE: Do not glue the roof



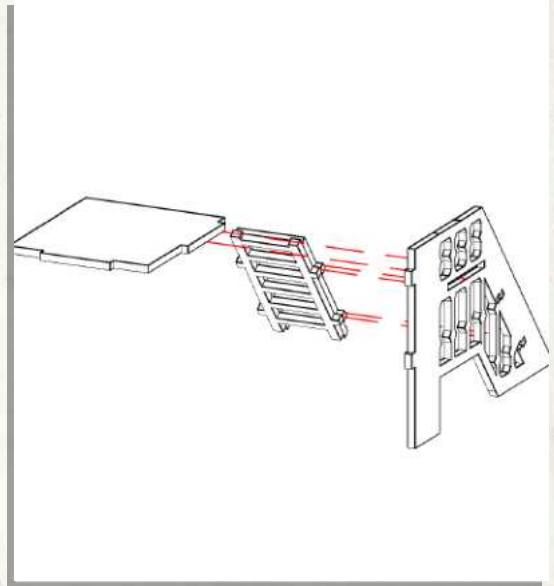
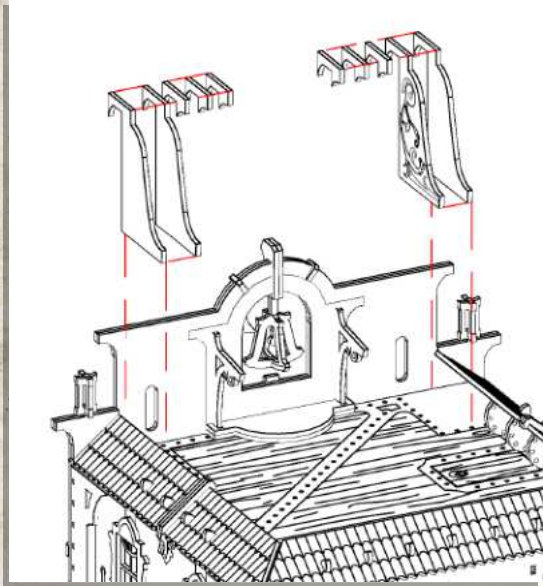
NOTE: Using I3 as a placement guide, glue the base of G5 parts to the roof



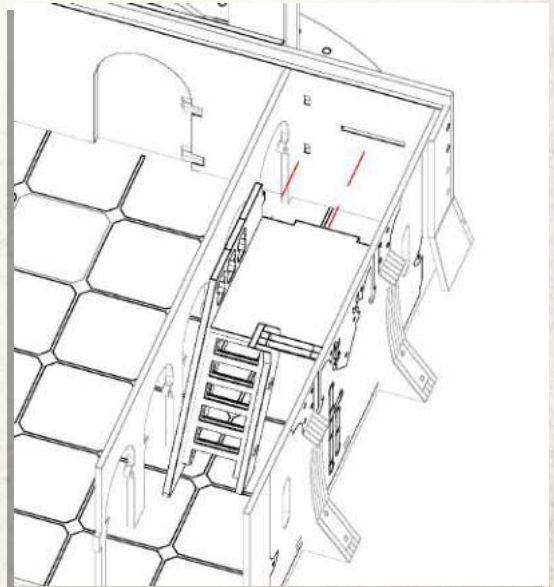
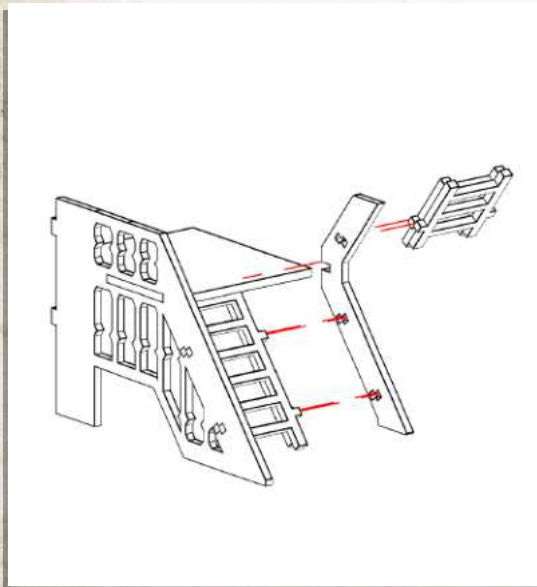
WARCRADLE SCENICS

Rio Sonora - Town Hall - Assembly Guide

Parts may need careful removal from the MDF boards with a scalpel, and light sanding of any rough edges. We recommend testing assembling sections before permanently gluing together.



NOTE: Only glue onto the roof, not the front wall

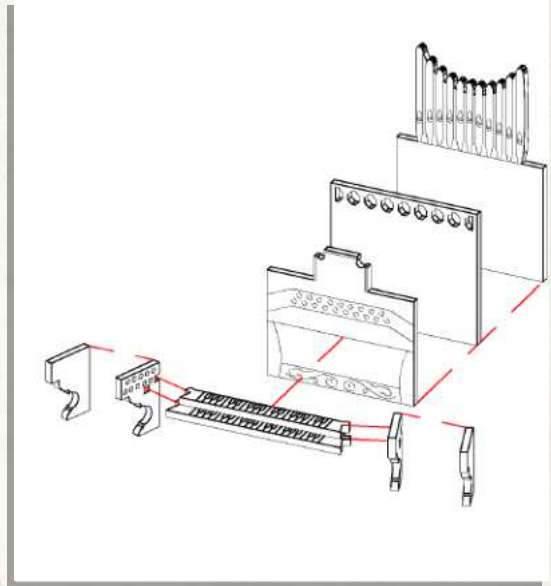
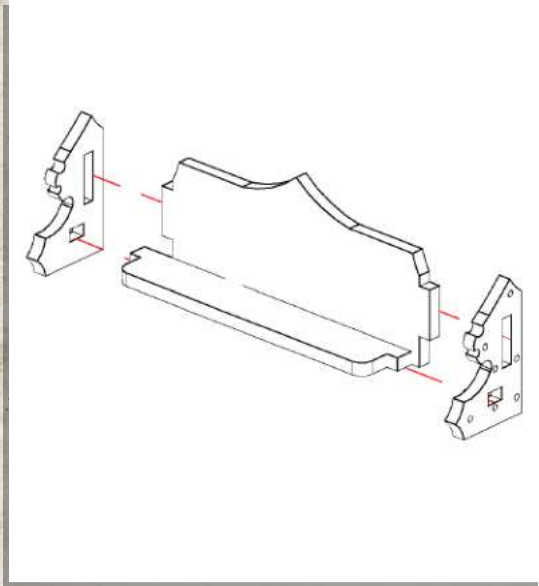




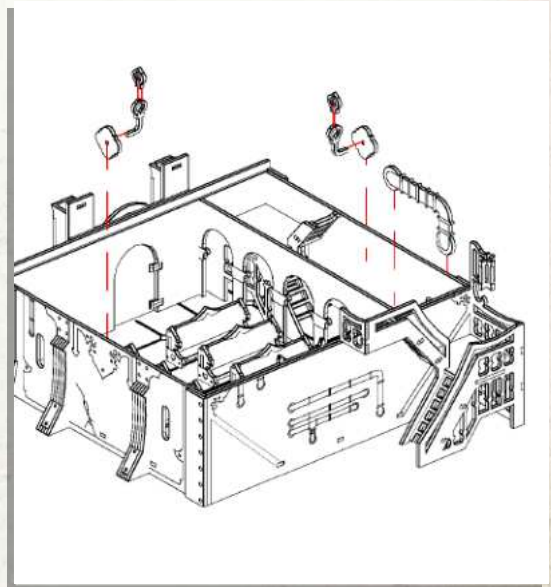
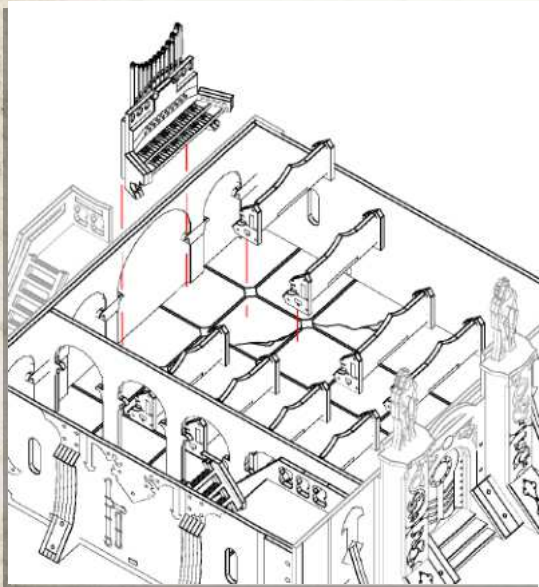
WARCRADLE SCENICS

Rio Sonora - Town Hall - Assembly Guide

Parts may need careful removal from the MDF boards with a scalpel, and light sanding of any rough edges. We recommend testing assembling sections before permanently gluing together.



NOTE: Repeat for all benches

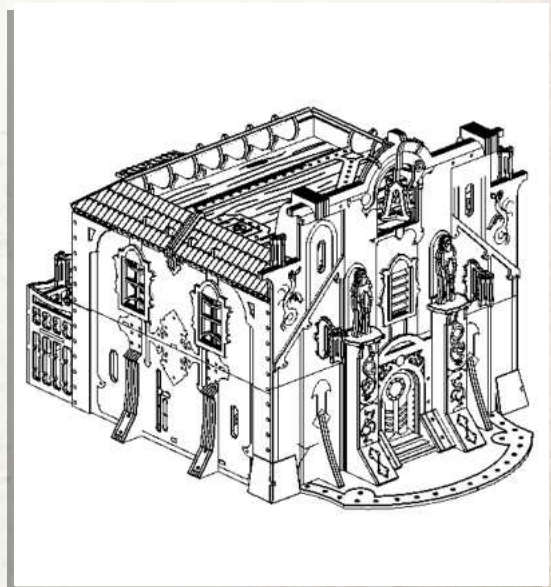
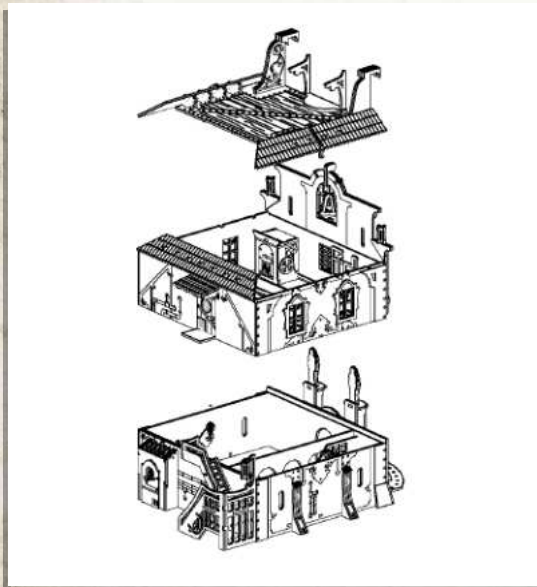
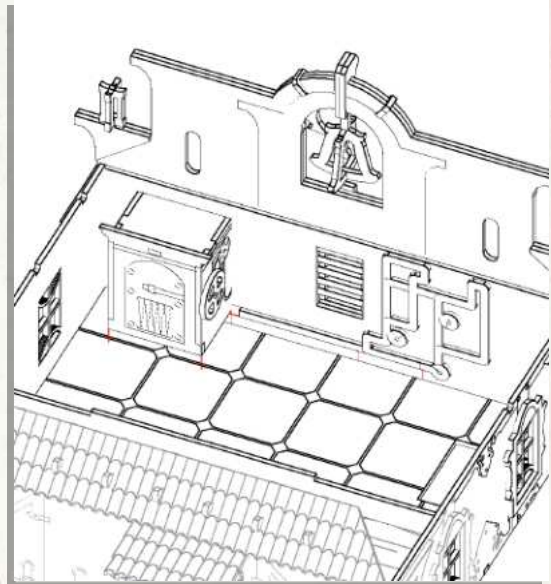
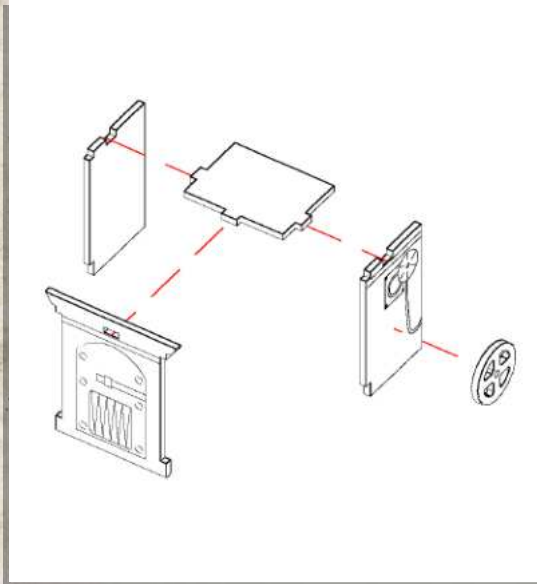




WARCRADLE SCENICS

Rio Sonora - Town Hall - Assembly Guide

Parts may need careful removal from the MDF boards with a scalpel, and light sanding of any rough edges. We recommend testing assembling sections before permanently gluing together.



WARCRADLE STUDIOS IS A TRADING NAME OF WAYLAND GAMES LIMITED. WILD WEST EXODUS IS A TRADING NAME OF WAYLAND GAMES LIMITED. ILLUSTRATIONS AND DESIGNS ARE COPYRIGHT © 2020 WAYLAND GAMES LIMITED, ASSEMBLED IN THE UK.