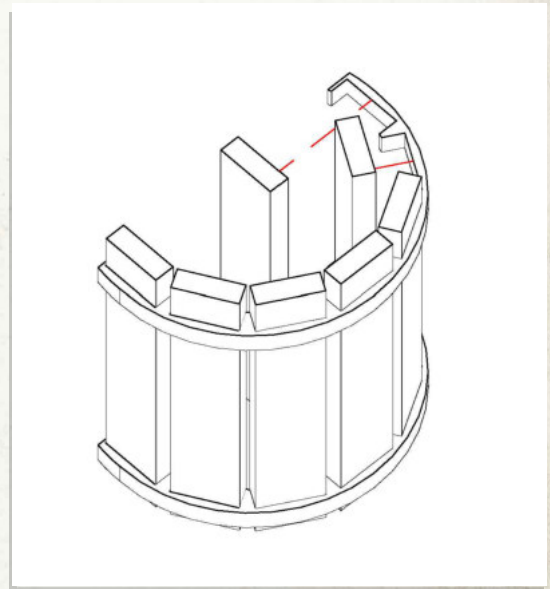
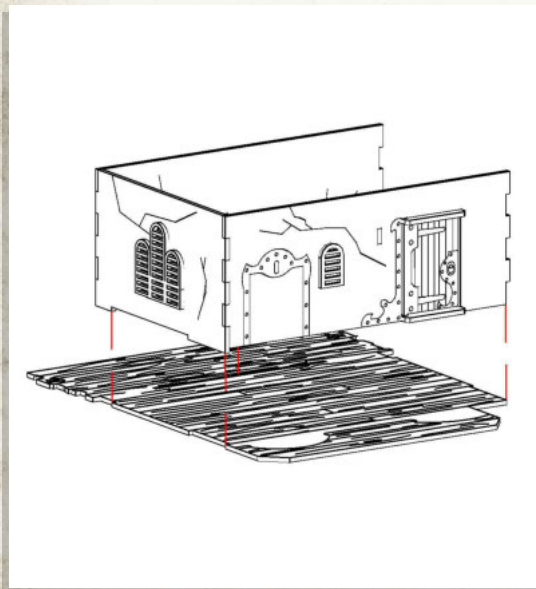
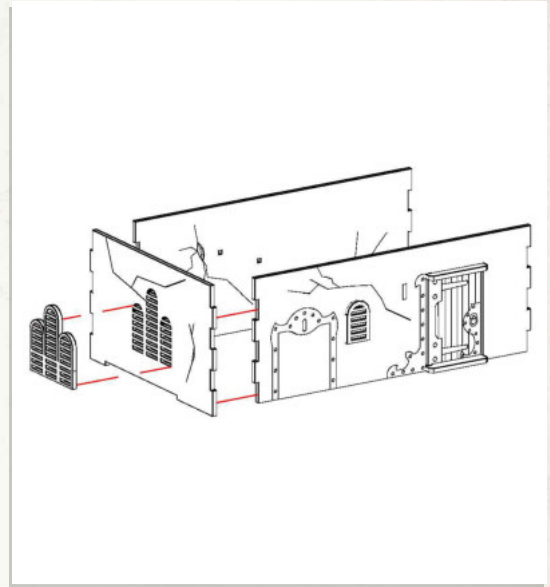
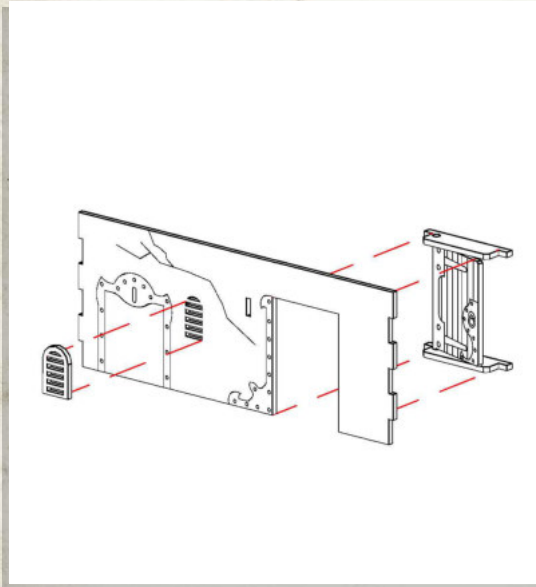




Rio Sonora - Workshop - Assembly Guide

Parts may need careful removal from the MDF boards with a scalpel, and light sanding of any rough edges. We recommend testing assembling sections before permanently gluing together.

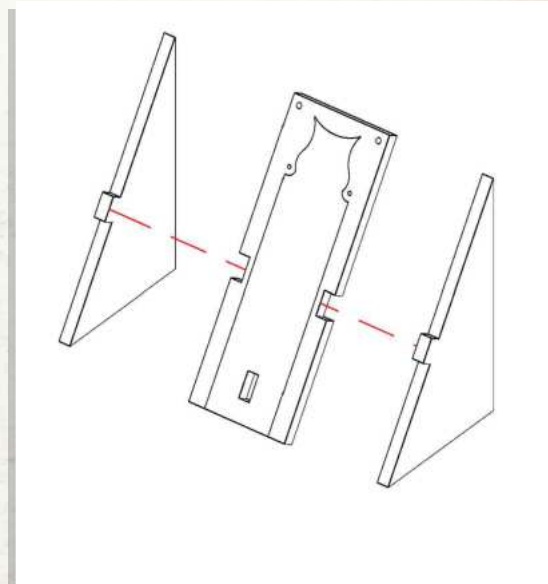
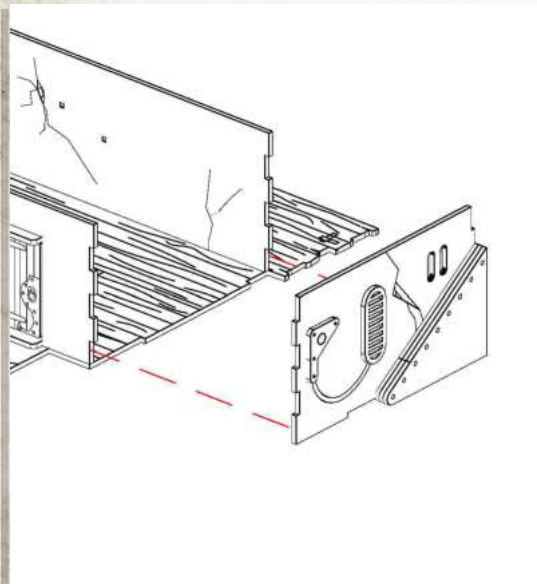
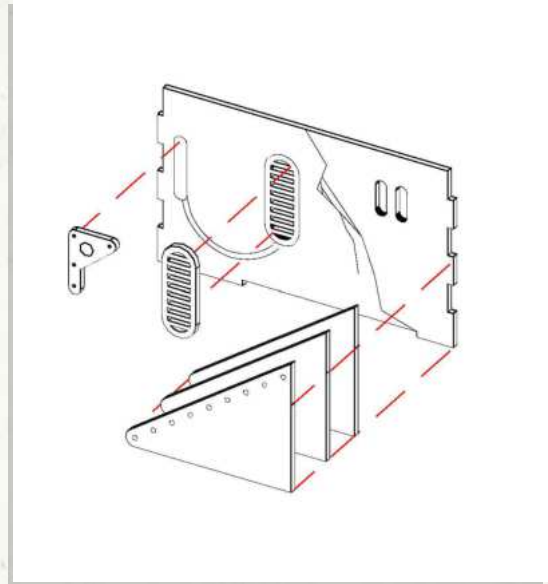
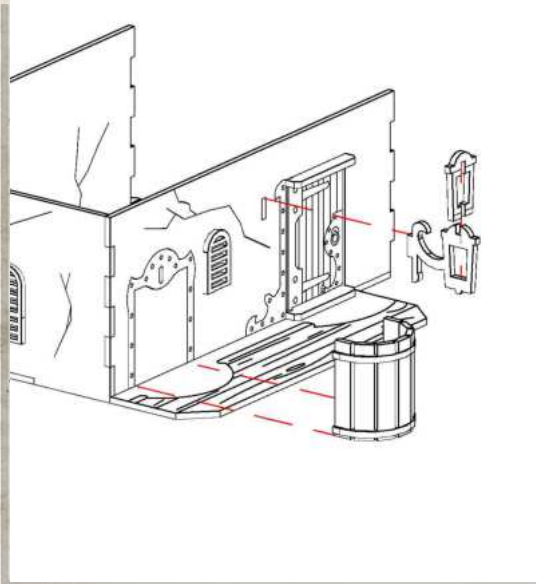




WARCRADLE SCENICS

Rio Sonora - Workshop - Assembly Guide

Parts may need careful removal from the MDF boards with a scalpel, and light sanding of any rough edges. We recommend testing assembling sections before permanently gluing together.



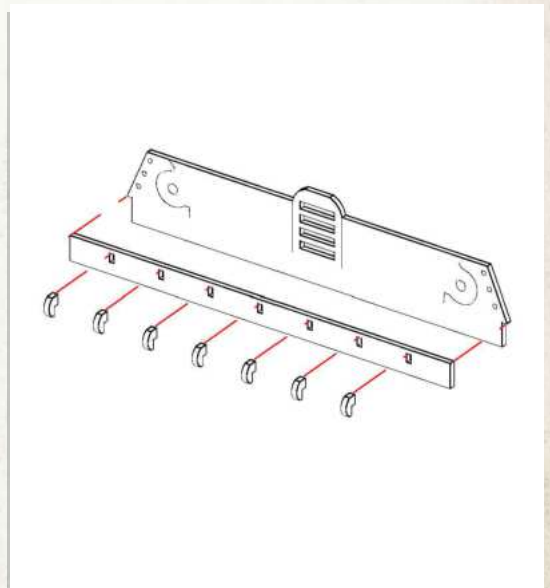
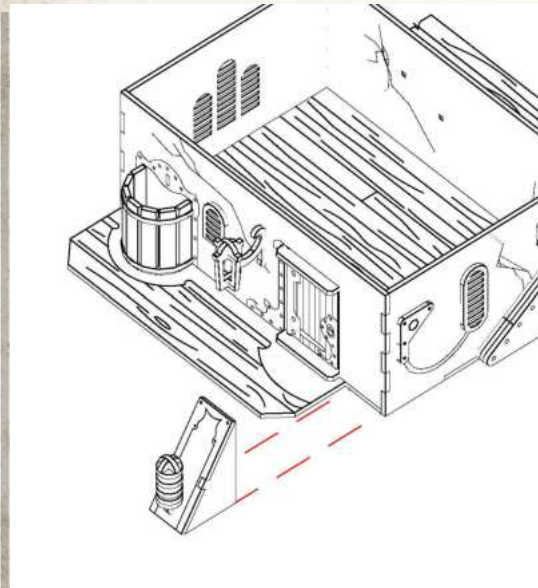
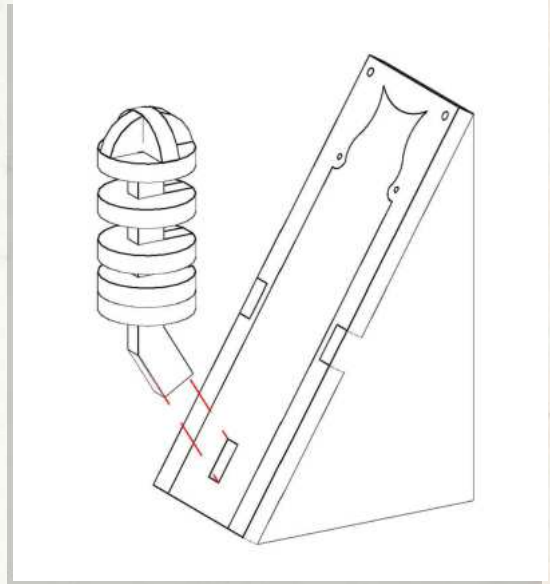
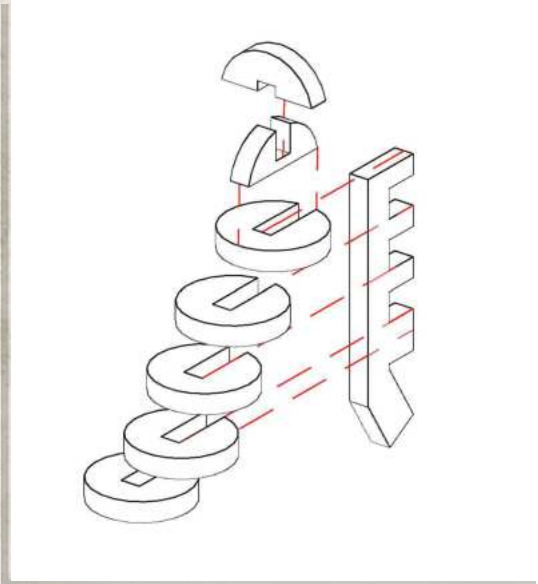
NOTE: To keep access to interior,
do not use glue on wall



WARCRADLE
SCENICS

Rio Sonora - Workshop - Assembly Guide

Parts may need careful removal from the MDF boards with a scalpel, and light sanding of any rough edges. We recommend testing assembling sections before permanently gluing together.



WARCRADLE
STUDIOS

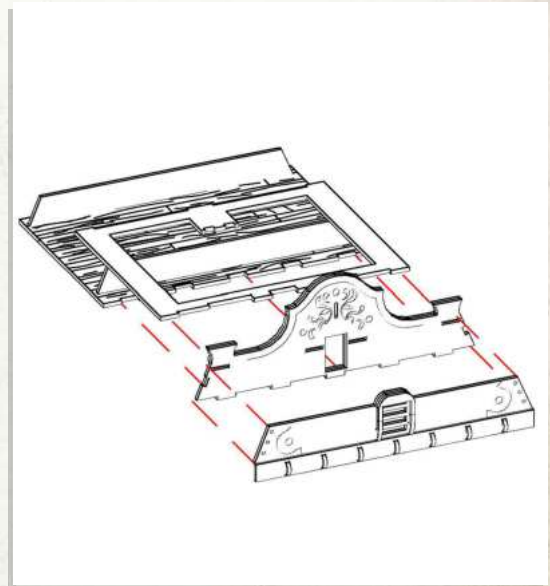
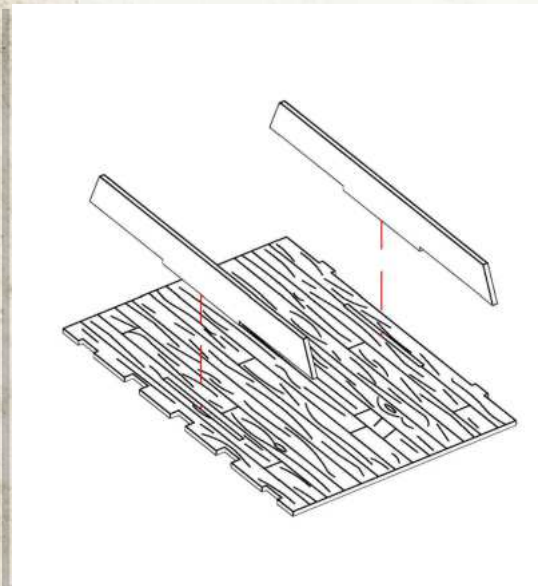
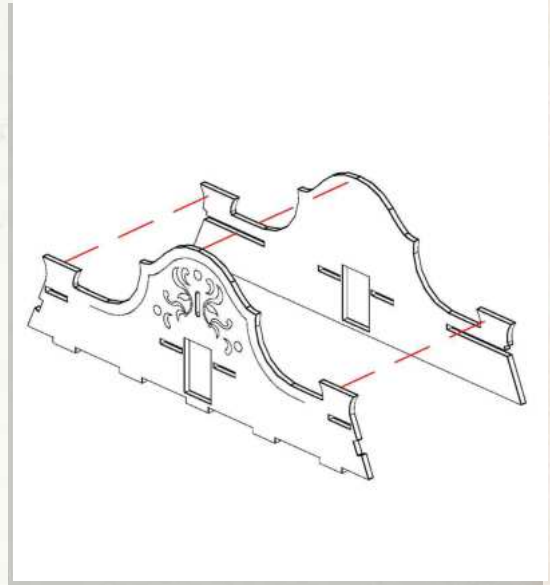
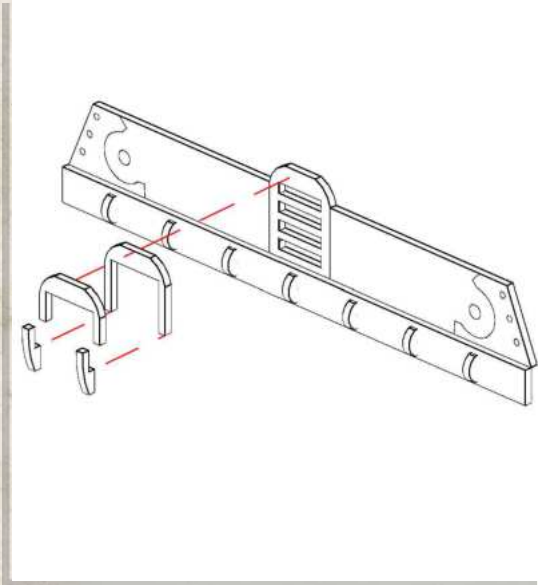
WARCRADLE STUDIOS IS A TRADING NAME OF WAYLAND GAMES LIMITED. WILD WEST EXODUS IS A TRADING NAME OF WAYLAND GAMES LIMITED. ILLUSTRATIONS AND DESIGNS ARE COPYRIGHT © 2020 WAYLAND GAMES LIMITED. ASSEMBLED IN THE UK.



WARCRADLE SCENICS

Rio Sonora - Workshop - Assembly Guide

Parts may need careful removal from the MDF boards with a scalpel, and light sanding of any rough edges. We recommend testing assembling sections before permanently gluing together.



WARCRADLE
STUDIOS

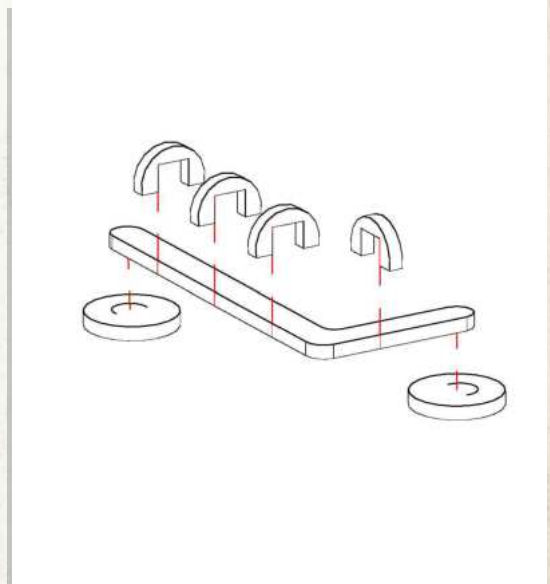
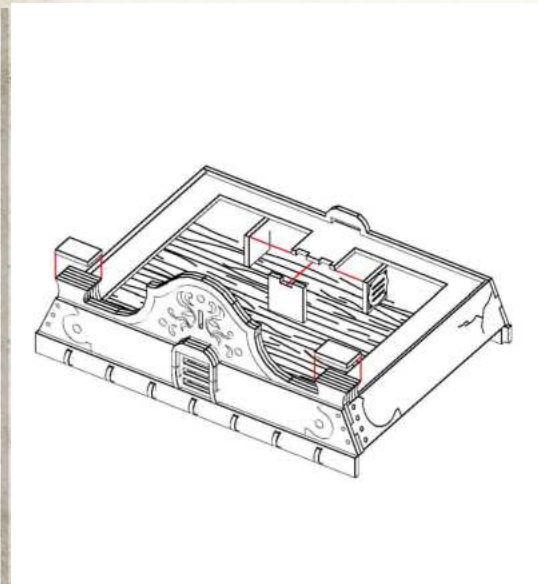
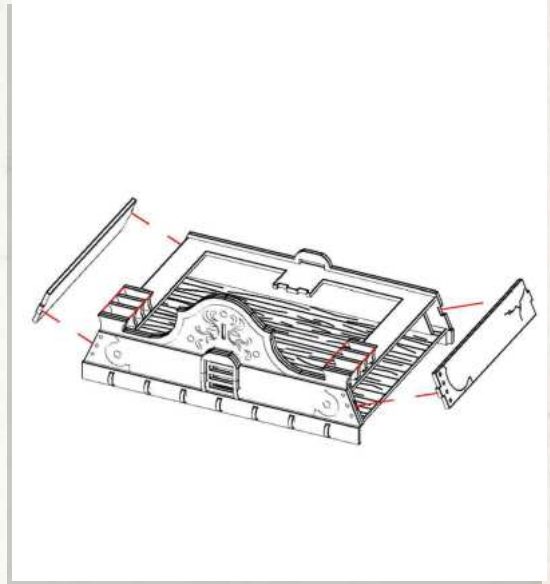
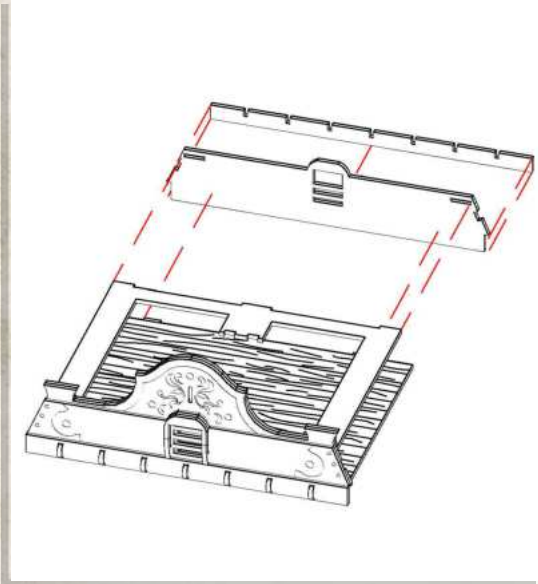
WARCRADLE STUDIOS IS A TRADING NAME OF WAYLAND GAMES LIMITED. WILD WEST EXODUS IS A TRADING NAME OF WAYLAND GAMES LIMITED. ILLUSTRATIONS AND DESIGNS ARE COPYRIGHT © 2020 WAYLAND GAMES LIMITED. ASSEMBLED IN THE UK.



WARCRADLE SCENICS

Rio Sonora - Workshop - Assembly Guide

Parts may need careful removal from the MDF boards with a scalpel, and light sanding of any rough edges. We recommend testing assembling sections before permanently gluing together.



WARCRADLE
STUDIOS

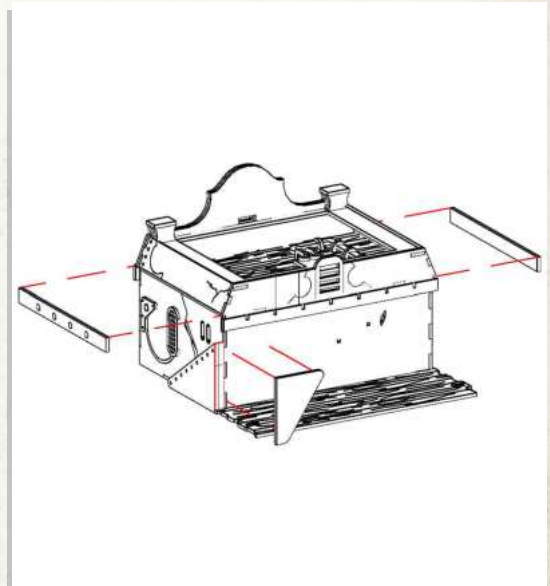
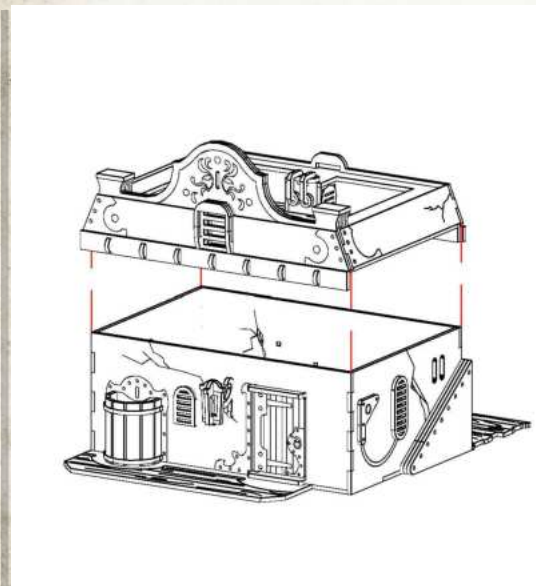
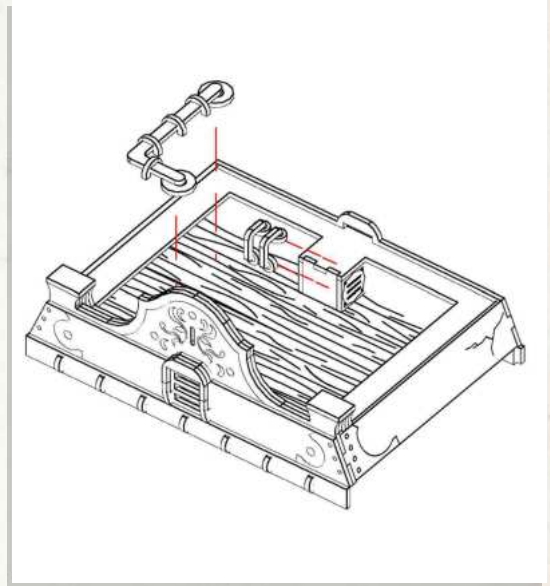
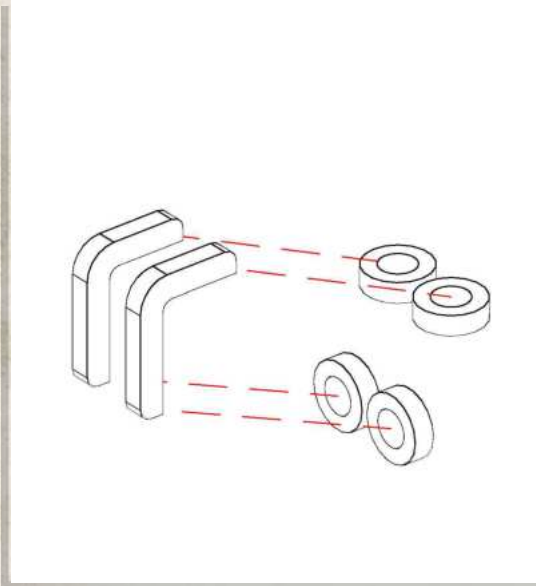
WARCRADLE STUDIOS IS A TRADING NAME OF WAYLAND GAMES LIMITED. WILD WEST EXODUS IS A TRADING NAME OF WAYLAND GAMES LIMITED. ILLUSTRATIONS AND DESIGNS ARE COPYRIGHT © 2020 WAYLAND GAMES LIMITED. ASSEMBLED IN THE UK.



WARCRADLE SCENICS

Rio Sonora - Workshop - Assembly Guide

Parts may need careful removal from the MDF boards with a scalpel, and light sanding of any rough edges. We recommend testing assembling sections before permanently gluing together.



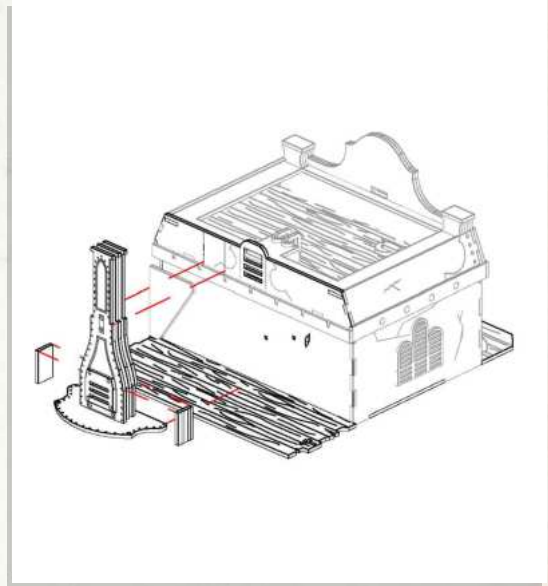
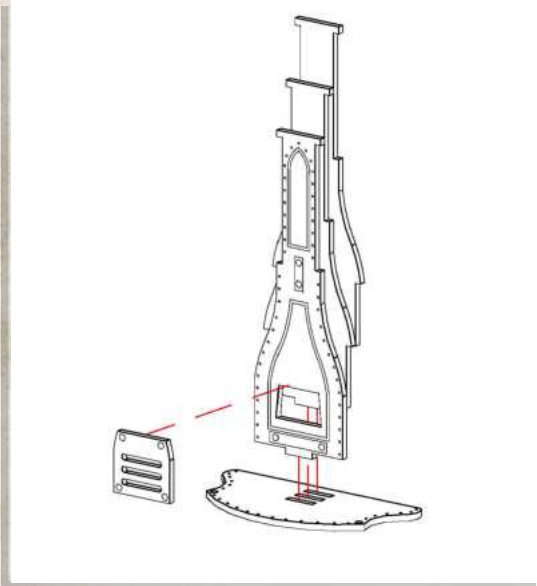
NOTE: Do not use glue red highlighted area



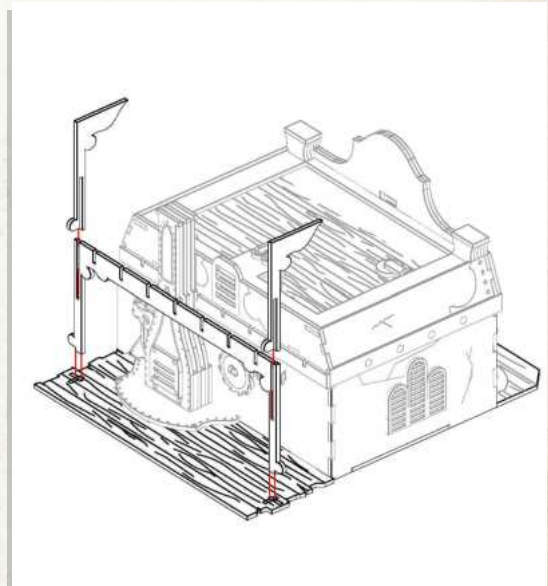
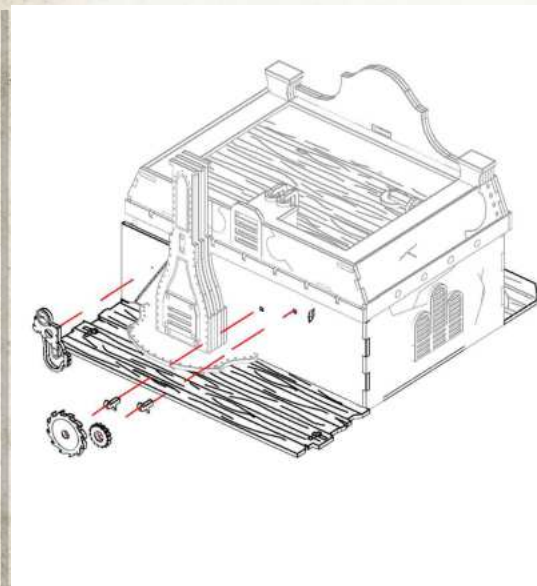
WARCRADLE SCENICS

Rio Sonora - Workshop - Assembly Guide

Parts may need careful removal from the MDF boards with a scalpel, and light sanding of any rough edges. We recommend testing assembling sections before permanently gluing together.



NOTE: Align the chimney with the vertical lines on the back wall

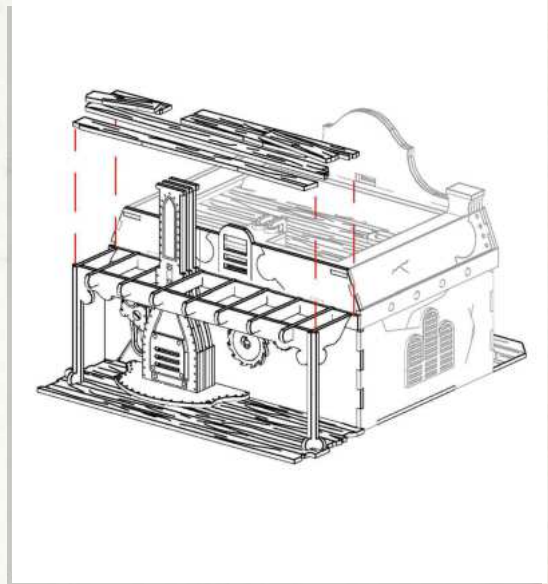
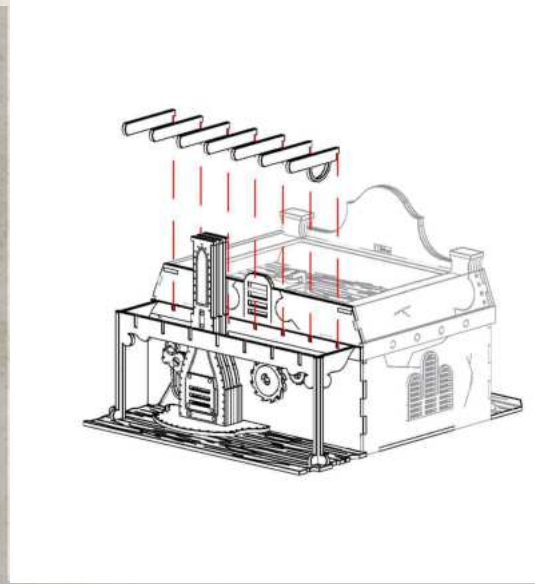




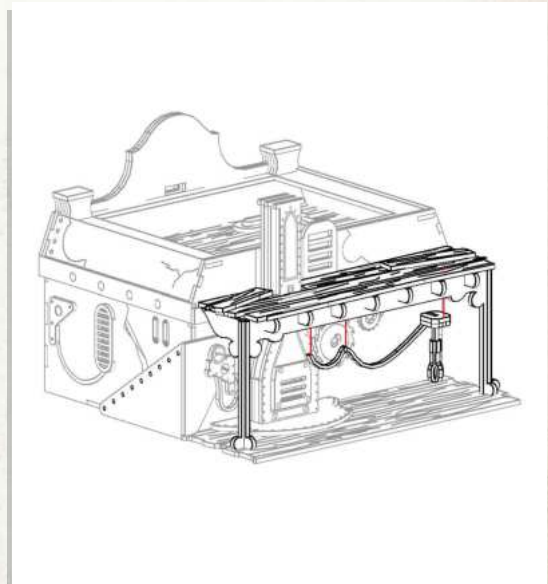
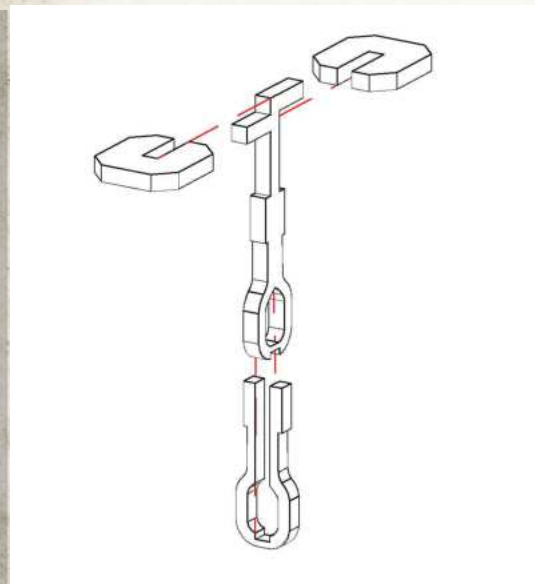
WARCRADLE SCENICS

Rio Sonora - Workshop - Assembly Guide

Parts may need careful removal from the MDF boards with a scalpel, and light sanding of any rough edges. We recommend testing assembling sections before permanently gluing together.



NOTE: Glue the thin loose planks in any arrangement to form the shelter



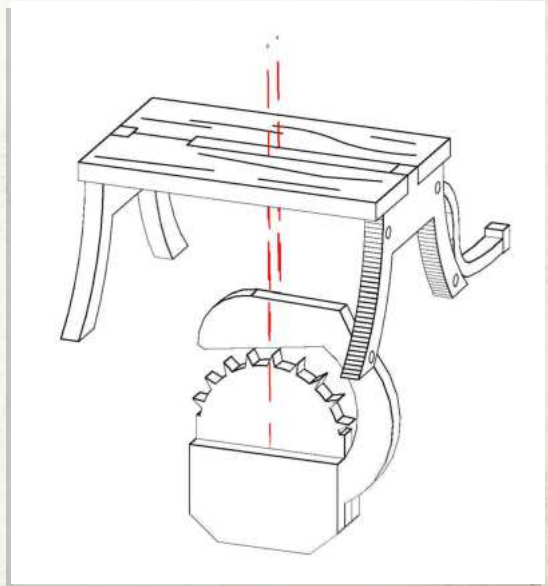
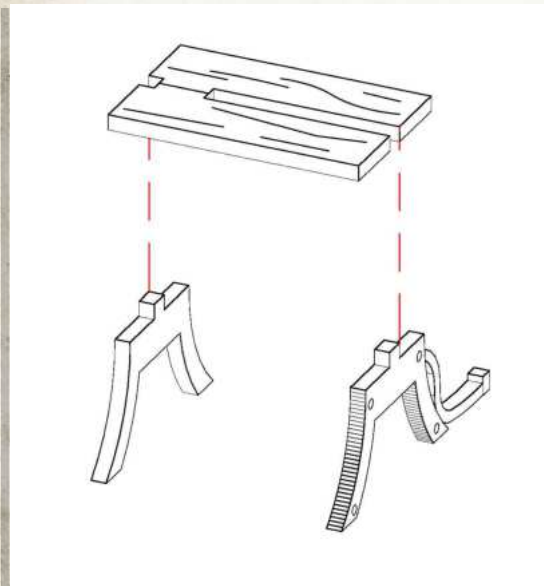
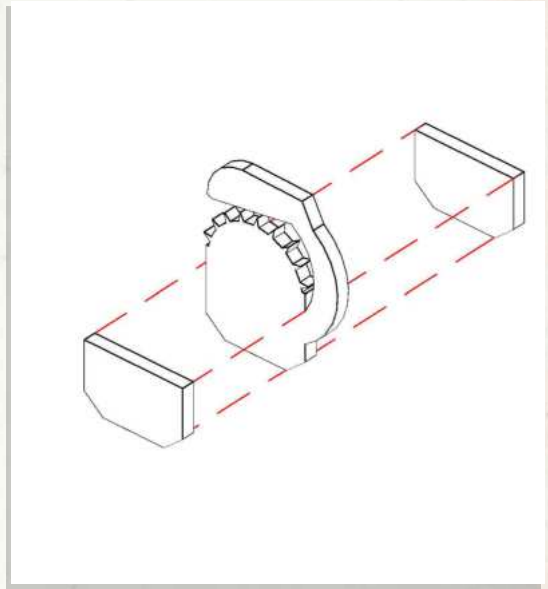
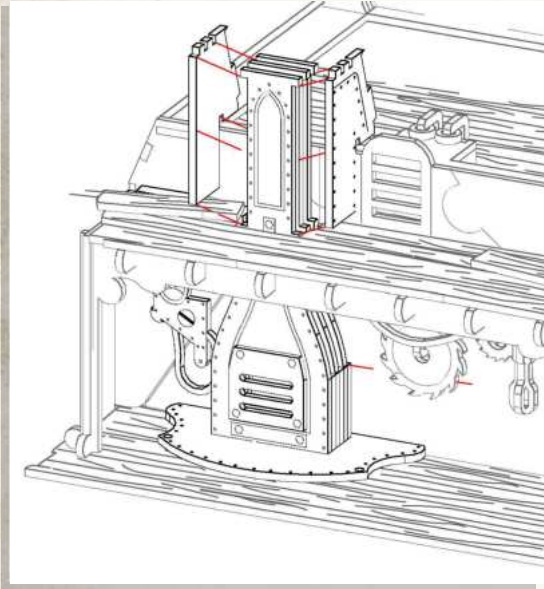
NOTE: Glue the light and wire to the underside of the shelter beams



WARCRADLE SCENICS

Rio Sonora - Workshop - Assembly Guide

Parts may need careful removal from the MDF boards with a scalpel, and light sanding of any rough edges. We recommend testing assembling sections before permanently gluing together.



WARCRADLE
STUDIOS

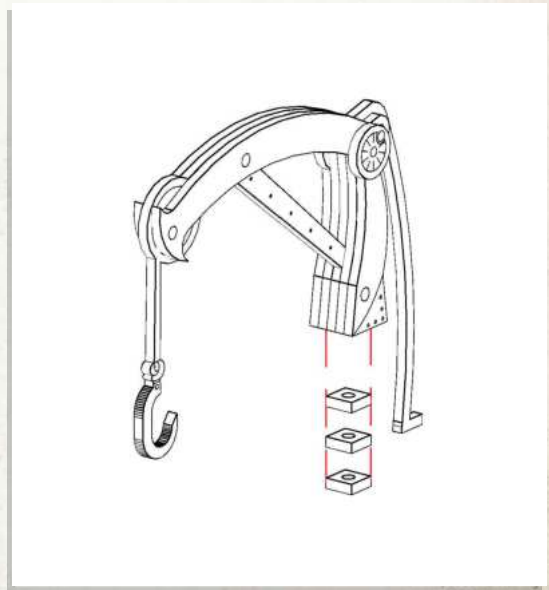
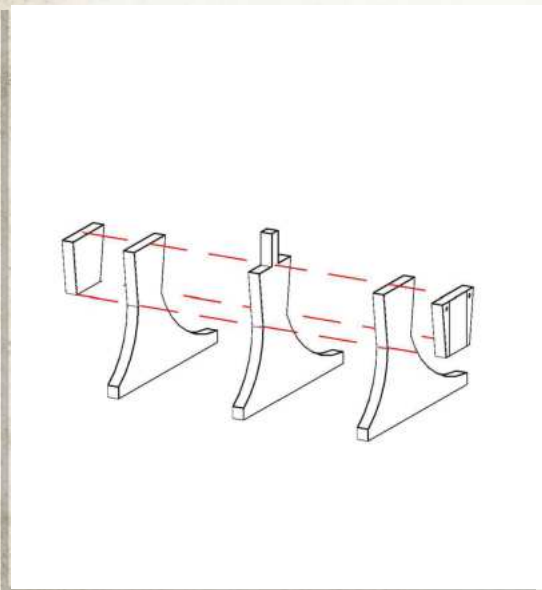
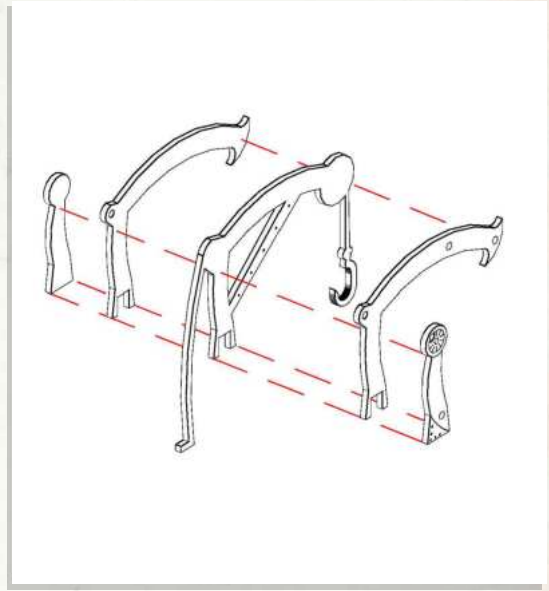
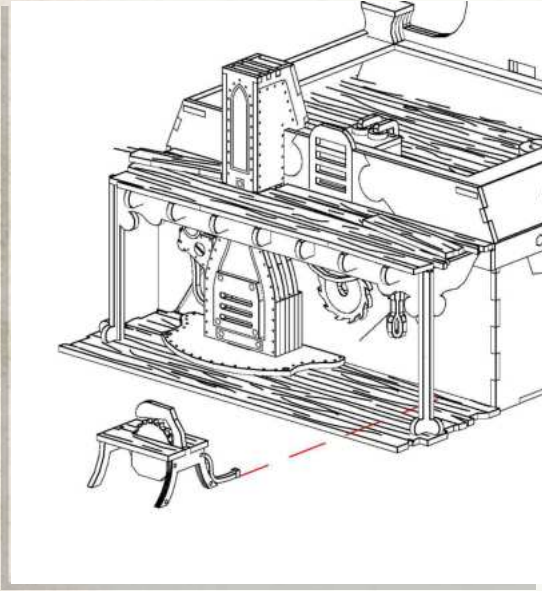
WARCRADLE STUDIOS IS A TRADING NAME OF WAYLAND GAMES LIMITED. WILD WEST EXODUS IS A TRADING NAME OF WAYLAND GAMES LIMITED. ILLUSTRATIONS AND DESIGNS ARE COPYRIGHT © 2020 WAYLAND GAMES LIMITED. ASSEMBLED IN THE UK.



WARCRADLE SCENICS

Rio Sonora - Workshop - Assembly Guide

Parts may need careful removal from the MDF boards with a scalpel, and light sanding of any rough edges. We recommend testing assembling sections before permanently gluing together.



WARCRADLE
STUDIOS

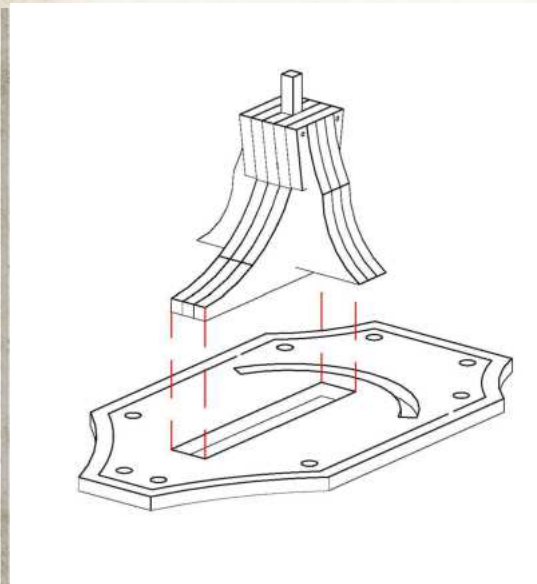
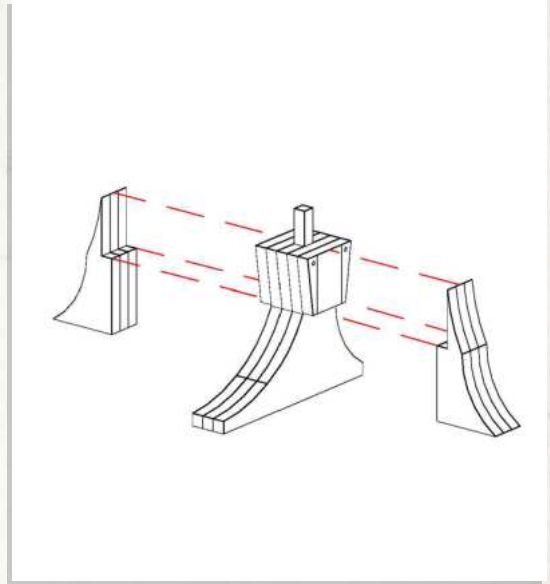
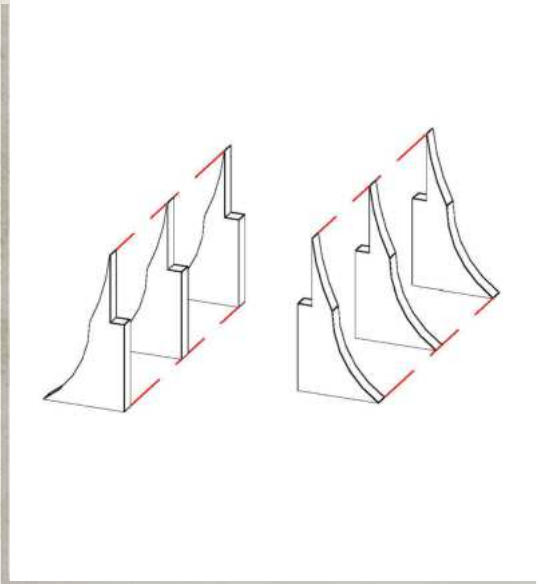
WARCRADLE STUDIOS IS A TRADING NAME OF WAYLAND GAMES LIMITED. WILD WEST EXODUS IS A TRADING NAME OF WAYLAND GAMES LIMITED. ILLUSTRATIONS AND DESIGNS ARE COPYRIGHT © 2020 WAYLAND GAMES LIMITED. ASSEMBLED IN THE UK.



WARCRADLE SCENICS

Rio Sonora - Workshop - Assembly Guide

Parts may need careful removal from the MDF boards with a scalpel, and light sanding of any rough edges. We recommend testing assembling sections before permanently gluing together.



NOTE: Do not use glue. Fit the extended foot through the gap in the floor plate, then rotate and lift the crane back up



WARCRADLE
STUDIOS™

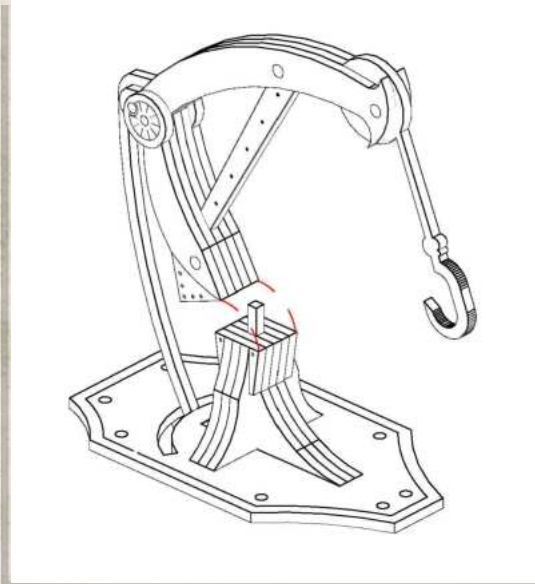
WARCRADLE STUDIOS IS A TRADING NAME OF WAYLAND GAMES LIMITED. WILD WEST EXODUS IS A TRADING NAME OF WAYLAND GAMES LIMITED. ILLUSTRATIONS AND DESIGNS ARE COPYRIGHT © 2020 WAYLAND GAMES LIMITED. ASSEMBLED IN THE UK.



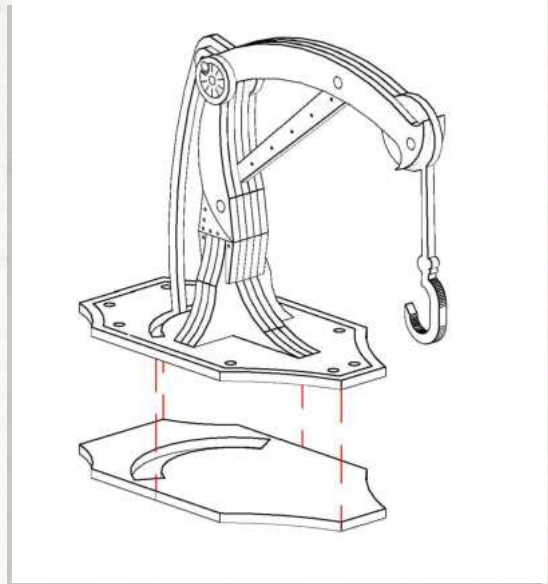
WARCRADLE
SCENICS

Rio Sonora - Workshop - Assembly Guide

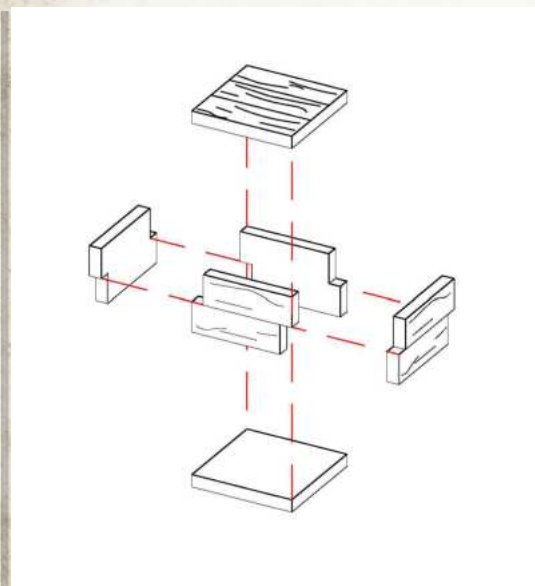
Parts may need careful removal from the MDF boards with a scalpel, and light sanding of any rough edges. We recommend testing assembling sections before permanently gluing together.



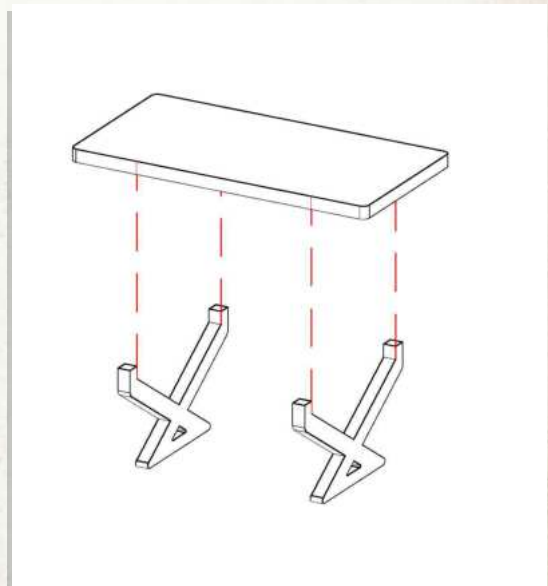
NOTE: Do not use glue. Fit the crane on top of the base, keeping the extended foot under the floor plate



NOTE: Do not use glue near the extended foot. The crane can now be rotated to different positions



NOTE: Repeat for all boxes

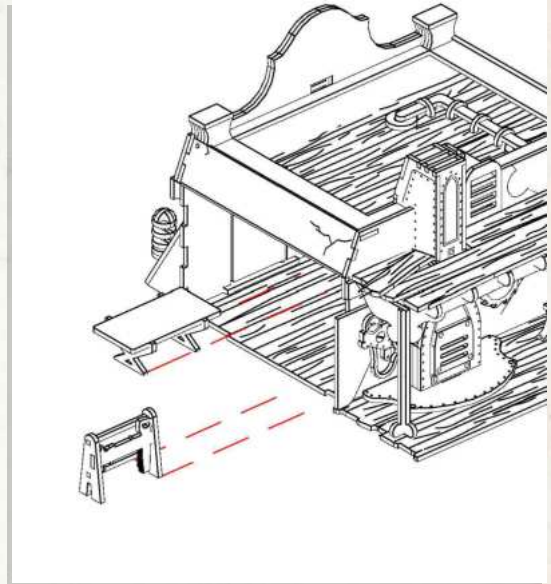
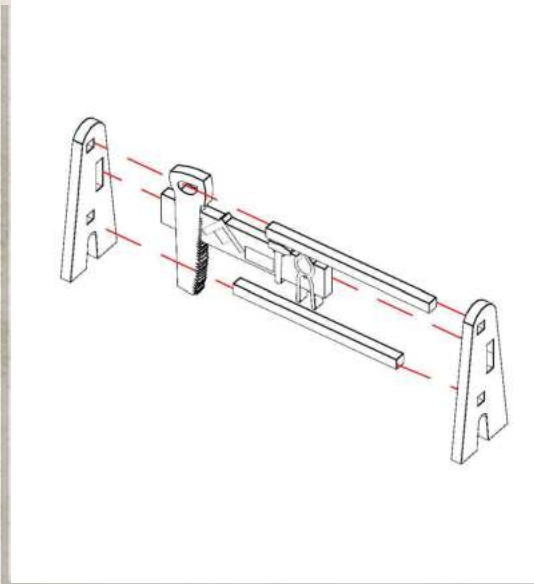




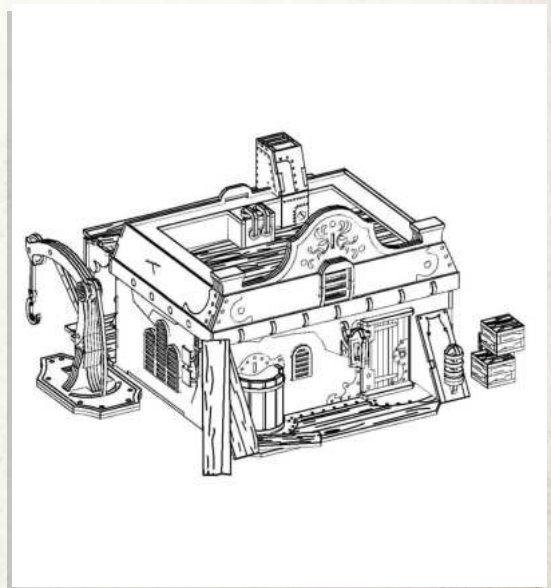
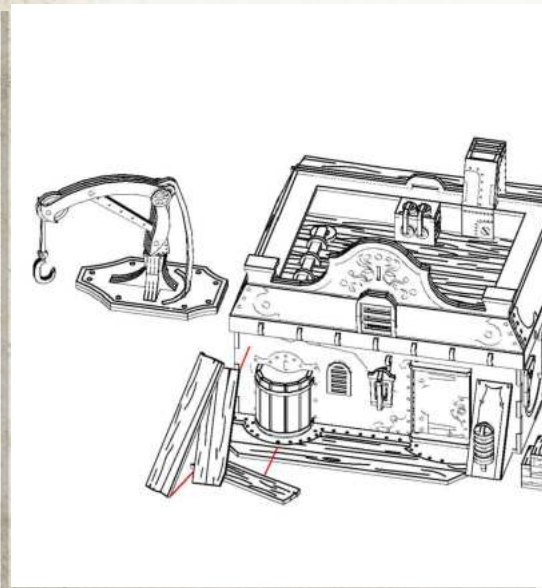
WARCRADLE SCENICS

Rio Sonora - Workshop - Assembly Guide

Parts may need careful removal from the MDF boards with a scalpel, and light sanding of any rough edges. We recommend testing assembling sections before permanently gluing together.



NOTE: Place these pieces anywhere in the interior



NOTE: Loose planks can be placed anywhere